

Device Overview

The 89HPES8T5A is a member of IDT's PRECISE™ family of PCI Express switching solutions. The PES8T5A is an 8-lane, 5-port peripheral chip that performs PCI Express Base switching. It provides connectivity and switching functions between a PCI Express upstream port and up to four downstream ports and supports switching between downstream ports.

Features

- **High Performance PCI Express Switch**
 - Eight 2.5Gbps PCI Express lanes
 - Five switch ports
 - Upstream port is x4
 - Downstream ports are x1
 - Low-latency cut-through switch architecture
 - Support for Max Payload Sizes up to 256 bytes
 - One virtual channel
 - Eight traffic classes
 - PCI Express Base Specification Revision 1.1 compliant
- **Flexible Architecture with Numerous Configuration Options**
 - Automatic lane reversal on all ports
 - Automatic polarity inversion on all lanes
 - Ability to load device configuration from serial EEPROM
- **Legacy Support**
 - PCI compatible INTx emulation
 - Bus locking

- **Highly Integrated Solution**
 - Requires no external components
 - Incorporates on-chip internal memory for packet buffering and queueing
 - Integrates eight 2.5 Gbps embedded SerDes with 8B/10B encoder/decoder (no separate transceivers needed)
- **Reliability, Availability, and Serviceability (RAS) Features**
 - Internal end-to-end parity protection on all TLPs ensures data integrity even in systems that do not implement end-to-end CRC (ECRC)
 - Supports ECRC and Advanced Error Reporting
 - Supports PCI Express Native Hot-Plug, Hot-Swap capable I/O
 - Compatible with Hot-Plug I/O expanders used on PC motherboards
- **Power Management**
 - Utilizes advanced low-power design techniques to achieve low typical power consumption
 - Supports PCI Power Management Interface specification (PCI-PM 1.2)
 - Unused SerDes are disabled.
 - Supports Advanced Configuration and Power Interface Specification, Revision 2.0 (ACPI) supporting active link state
- **Testability and Debug Features**
 - Built in Pseudo-Random Bit Stream (PRBS) generator
 - Numerous SerDes test modes
 - Ability to read and write any internal register via the SMBus
 - Ability to bypass link training and force any link into any mode
 - Provides statistics and performance counters

Block Diagram

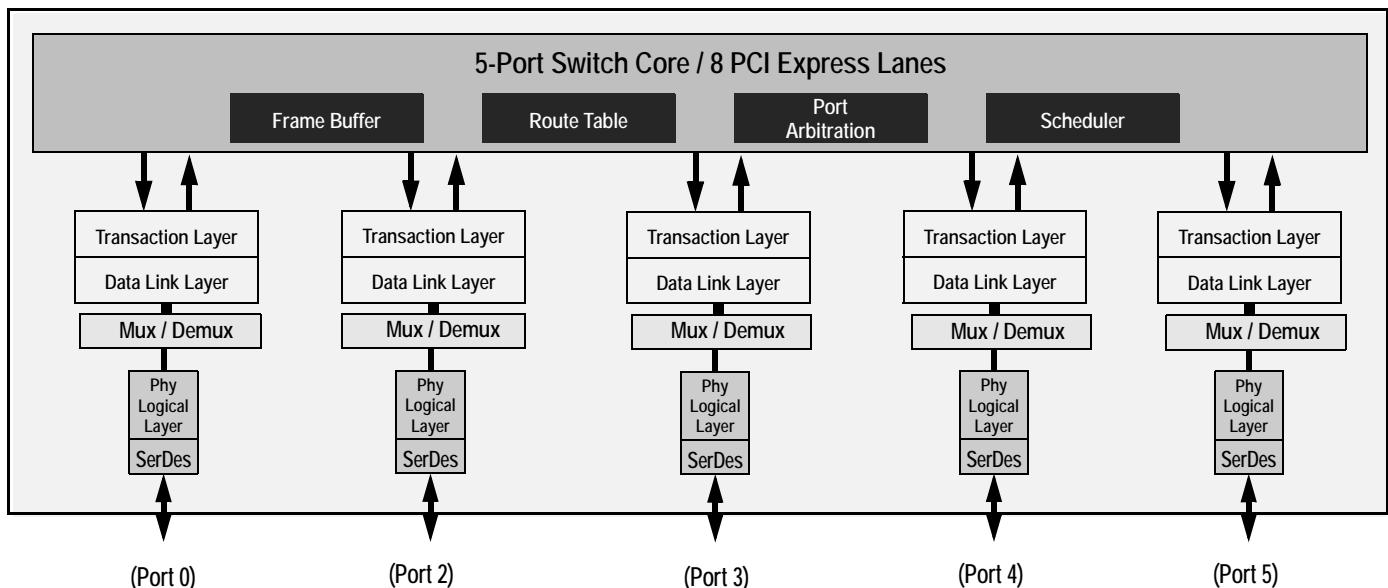


Figure 1 Internal Block Diagram

- 11 General Purpose Input/Output Pins
 - Each pin may be individually configured as an input or output
 - Each pin may be individually configured as an interrupt input
 - Some pins have selectable alternate functions
- Packaged in a 15mm x 15mm 196-ball BGA with 1mm ball spacing

Product Description

Utilizing standard PCI Express interconnect, the PES8T5A provides the most efficient I/O connectivity solution for applications requiring high throughput, low latency, and simple board layout with a minimum number of board layers. It provides 3 GBps (24 Gbps) of aggregated, full-duplex switching capacity through 6 integrated serial lanes, using proven and robust IDT technology. Each lane provides 2.5 Gbps of bandwidth in both directions and is fully compliant with PCI Express Base specification revision 1.1.

The PES8T5A is based on a flexible and efficient layered architecture. The PCI Express layer consists of SerDes, Physical, Data Link and Transaction layers in compliance with PCI Express Base specification Revision 1.1. The PES8T5A can operate either as a store and forward or cut-through switch and is designed to switch memory and I/O transactions. It supports eight Traffic Classes (TCs) and one Virtual Channel (VC) with sophisticated resource management to allow efficient switching for applications requiring additional narrow port connectivity.

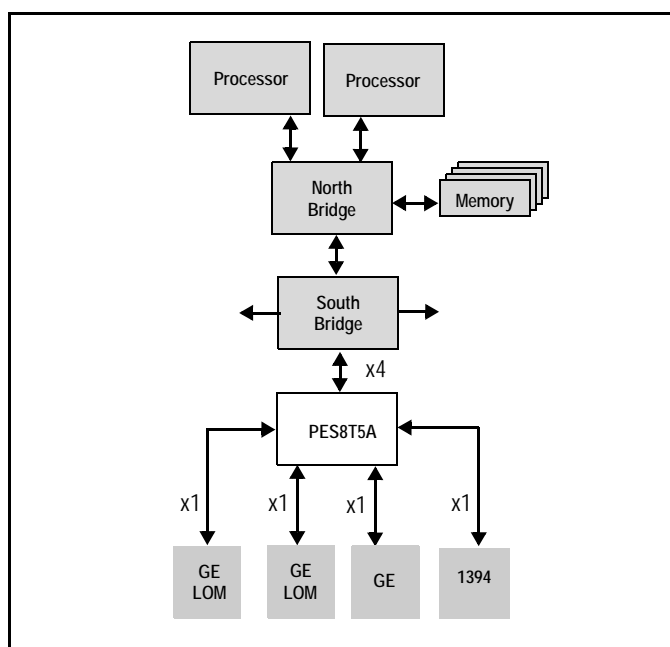


Figure 2 I/O Expansion Application

SMBus Interface

The PES8T5A contains two SMBus interfaces. The slave interface provides full access to the configuration registers in the PES8T5A, allowing every configuration register in the device to be read or written by an external agent. The master interface allows the default configuration register values of the PES8T5A to be overridden following a reset with values programmed in an external serial EEPROM. The master interface is also used by an external Hot-Plug I/O expander.

Six pins make up each of the two SMBus interfaces. These pins consist of an SMBus clock pin, an SMBus data pin, and 4 SMBus address pins. In the slave interface, these address pins allow the SMBus address to which the device responds to be configured. In the master interface, these address pins allow the SMBus address of the serial configuration EEPROM from which data is loaded to be configured. The SMBus address is set up on negation of PERSTN by sampling the corresponding address pins. When the pins are sampled, the resulting address is assigned as shown in [Table 1](#).

| Bit | Slave SMBus Address | Master SMBus Address |
|-----|---------------------|----------------------|
| 1 | SSMBADDR[1] | MSMBADDR[1] |
| 2 | SSMBADDR[2] | MSMBADDR[2] |
| 3 | SSMBADDR[3] | MSMBADDR[3] |
| 4 | 0 | MSMBADDR[4] |
| 5 | SSMBADDR[5] | 1 |
| 6 | 1 | 0 |
| 7 | 1 | 1 |

Table 1 Master and Slave SMBus Address Assignment

As shown in Figure 3, the master and slave SMBuses may be used in a unified or split configuration. In the unified configuration, shown in Figure 3(a), the master and slave SMBuses are tied together and the PES8T5A acts both as a SMBus master as well as a SMBus slave on this bus. This requires that the SMBus master or processor that has access to PES8T5A registers supports SMBus arbitration. In some systems, this SMBus master interface may be implemented using general purpose I/O pins on a processor or micro controller, and may not support SMBus arbitration. To support these systems, the PES8T5A may be configured to operate in a split configuration as shown in Figure 3(b).

In the split configuration, the master and slave SMBuses operate as two independent buses and thus multi-master arbitration is never required. The PES8T5A supports reading and writing of the serial EEPROM on the master SMBus via the slave SMBus, allowing in system programming of the serial EEPROM.

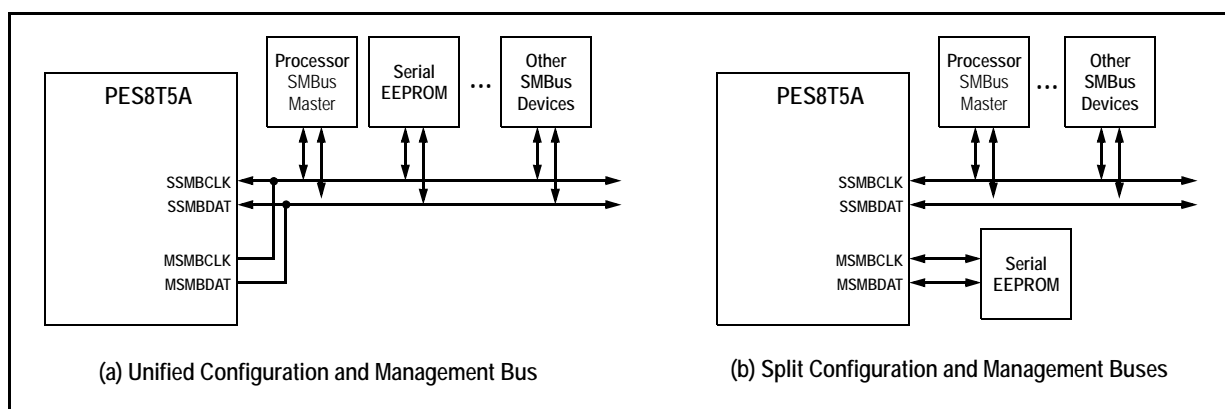


Figure 3 SMBus Interface Configuration Examples

Hot-Plug Interface

The PES8T5A supports PCI Express Hot-Plug on each downstream port. To reduce the number of pins required on the device, the PES8T5A utilizes an external I/O expander, such as that used on PC motherboards, connected to the SMBus master interface. Following reset and configuration, whenever the state of a Hot-Plug output needs to be modified, the PES8T5A generates an SMBus transaction to the I/O expander with the new value of all of the outputs. Whenever a Hot-Plug input changes, the I/O expander generates an interrupt which is received on the IOEXPINTN input pin (alternate function of GPIO) of the PES8T5A. In response to an I/O expander interrupt, the PES8T5A generates an SMBus transaction to read the state of all of the Hot-Plug inputs from the I/O expander.

General Purpose Input/Output

The PES8T5A provides 11 General Purpose Input/Output (GPIO) pins that may be used by the system designer as bit I/O ports. Each GPIO pin may be configured independently as an input or output through software control. Some GPIO pins are shared with other on-chip functions. These alternate functions may be enabled via software, SMBus slave interface, or serial configuration EEPROM.

Pin Description

The following tables lists the functions of the pins provided on the PES8T5A. Some of the functions listed may be multiplexed onto the same pin. The active polarity of a signal is defined using a suffix. Signals ending with an "N" are defined as being active, or asserted, when at a logic zero (low) level. All other signals (including clocks, buses, and select lines) will be interpreted as being active, or asserted, when at a logic one (high) level.

| Signal | Type | Name/Description |
|--------------------------|------|--|
| PE0RP[3:0] PE0RN[3:0] | I | PCI Express Port 0 Serial Data Receive. Differential PCI Express receive pairs for port 0. |
| PE0TP[3:0] PE0TN[3:0] | O | PCI Express Port 0 Serial Data Transmit. Differential PCI Express transmit pairs for port 0. |
| PE2RP[0] PE2RN[0] | I | PCI Express Port 2 Serial Data Receive. Differential PCI Express receive pair for port 2. |
| PE2TP[0] PE2TN[0] | O | PCI Express Port 2 Serial Data Transmit. Differential PCI Express transmit pair for port 2. |
| PE3RP[0] PE3RN[0] | I | PCI Express Port 3 Serial Data Receive. Differential PCI Express receive pair for port 3. |
| PE3TP[0] PE3TN[0] | O | PCI Express Port 3 Serial Data Transmit. Differential PCI Express transmit pair for port 3. |
| PE4RP[0] PE4RN[0] | I | PCI Express Port 4 Serial Data Receive. Differential PCI Express receive pair for port 4. |
| PE4TP[0] PE4TN[0] | O | PCI Express Port 4 Serial Data Transmit. Differential PCI Express transmit pair for port 4. |
| PE5RP[0] PE5RN[0] | I | PCI Express Port 5 Serial Data Receive. Differential PCI Express receive pair for port 5. |
| PE5TP[0] PE5TN[0] | O | PCI Express Port 5 Serial Data Transmit. Differential PCI Express transmit pair for port 5. |
| PEREFCLKP PEREFCLKN | I | PCI Express Reference Clock. Differential reference clock pair input. This clock is used as the reference clock by on-chip PLLs to generate the clocks required for the system logic and on-chip SerDes. The frequency of the differential reference clock is determined by the REFCLKM signal. |
| REFCLKM | I | PCI Express Reference Clock Mode Select. This signal selects the frequency of the reference clock input. 0x0 - 100 MHz 0x1 - 125 MHz |

Table 2 PCI Express Interface Pins

| Signal | Type | Name/Description |
|-----------------|------|--|
| MSMBADDR[4:1] | I | Master SMBus Address. These pins determine the SMBus address of the serial EEPROM from which configuration information is loaded. |
| MSMBCLK | I/O | Master SMBus Clock. This bidirectional signal is used to synchronize transfers on the master SMBus. |
| MSMBDAT | I/O | Master SMBus Data. This bidirectional signal is used for data on the master SMBus. |
| SSMBADDR[5,3:1] | I | Slave SMBus Address. These pins determine the SMBus address to which the slave SMBus interface responds. |
| SSMBCLK | I/O | Slave SMBus Clock. This bidirectional signal is used to synchronize transfers on the slave SMBus. |
| SSMBDAT | I/O | Slave SMBus Data. This bidirectional signal is used for data on the slave SMBus. |

Table 3 SMBus Interface Pins

| Signal | Type | Name/Description |
|---------|------|---|
| GPIO[0] | I/O | General Purpose I/O. This pin can be configured as a general purpose I/O pin. Alternate function pin name: P2RSTN Alternate function pin type: Output Alternate function: Reset output for downstream port 2 |
| GPIO[1] | I/O | General Purpose I/O. This pin can be configured as a general purpose I/O pin. Alternate function pin name: P4RSTN Alternate function pin type: Output Alternate function: Reset output for downstream port 4 |
| GPIO[2] | I/O | General Purpose I/O. This pin can be configured as a general purpose I/O pin. Alternate function pin name: IOEXPINTN0 Alternate function pin type: Input Alternate function: I/O Expander interrupt 0 input |
| GPIO[3] | I/O | General Purpose I/O. This pin can be configured as a general purpose I/O pin. Alternate function pin name: IOEXPINTN1 Alternate function pin type: Input Alternate function: I/O Expander interrupt 1 input |
| GPIO[4] | I/O | General Purpose I/O. This pin can be configured as a general purpose I/O pin. Alternate function pin name: IOEXPINTN2 Alternate function pin type: Input Alternate function: I/O Expander interrupt 2 input |
| GPIO[5] | I/O | General Purpose I/O. This pin can be configured as a general purpose I/O pin. |
| GPIO[6] | I/O | General Purpose I/O. This pin can be configured as a general purpose I/O pin. |

Table 4 General Purpose I/O Pins (Part 1 of 2)

| Signal | Type | Name/Description |
|----------|------|---|
| GPIO[7] | I/O | General Purpose I/O. This pin can be configured as a general purpose I/O pin. Alternate function pin name: GPEN Alternate function pin type: Output Alternate function: General Purpose Event (GPE) output |
| GPIO[8] | I/O | General Purpose I/O. This pin can be configured as a general purpose I/O pin. |
| GPIO[9] | I/O | General Purpose I/O. This pin can be configured as a general purpose I/O pin. Alternate function pin name: P3RSTN Alternate function pin type: Output Alternate function: Reset output for downstream port 3 |
| GPIO[10] | I/O | General Purpose I/O. This pin can be configured as a general purpose I/O pin. Alternate function pin name: P5RSTN Alternate function pin type: Output Alternate function: Reset output for downstream port 5 |

Table 4 General Purpose I/O Pins (Part 2 of 2)

| Signal | Type | Name/Description |
|-----------|------|---|
| APWRDISN | I | Auxiliary Power Disable Input. When this pin is active, it disables the device from using auxiliary power supply. |
| CCLKDS | I | Common Clock Downstream. The assertion of this pin indicates that all downstream ports are using the same clock source as that provided to downstream devices. This bit is used as the initial value of the Slot Clock Configuration bit in all of the Link Status Registers for downstream ports. The value may be override by modifying the SCLK bit in the downstream port's PCIELSTS register. |
| CCLKUS | I | Common Clock Upstream. The assertion of this pin indicates that the upstream port is using the same clock source as the upstream device. This bit is used as the initial value of the Slot Clock Configuration bit in the Link Status Register for the upstream port. The value may be overridden by modifying the SCLK bit in the PA_PCIEIPTS register. |
| MSMBSMODE | I | Master SMBus Slow Mode. The assertion of this pin indicates that the master SMBus should operate at 100 KHz instead of 400 kHz. This value may not be overridden. |
| PERSTN | I | Fundamental Reset. Assertion of this signal resets all logic inside the PES8T5A and initiates a PCI Express fundamental reset. |

Table 5 System Pins (Part 1 of 2)

| Signal | Type | Name/Description |
|-------------|------|--|
| RSTHALT | I | Reset Halt. When this signal is asserted during a PCI Express fundamental reset, the PES8T5A executes the reset procedure and remains in a reset state with the Master and Slave SMBuses active. This allows software to read and write registers internal to the device before normal device operation begins. The device exits the reset state when the RSTHALT bit is cleared in the PA_SWCTL register by an SMBus master. |
| SWMODE[2:0] | I | Switch Mode. These configuration pins determine the PES8T5A switch operating mode. 0x0 - Normal switch mode 0x1 - Normal switch mode with Serial EEPROM initialization 0x2 - through 0xF Reserved |
| WAKEN | I/O | Wake Input/Output. The WAKEN signal is an input or output. The WAKEN signal input/output selection can be made through the WAKEDIR bit setting in the WAKEUPCNTL register. |

Table 5 System Pins (Part 2 of 2)

| Signal | Type | Name/Description |
|-------------|------|--|
| JTAG_TCK | I | JTAG Clock. This is an input test clock used to clock the shifting of data into or out of the boundary scan logic or JTAG Controller. JTAG_TCK is independent of the system clock with a nominal 50% duty cycle. |
| JTAG_TDI | I | JTAG Data Input. This is the serial data input to the boundary scan logic or JTAG Controller. |
| JTAG_TDO | O | JTAG Data Output. This is the serial data shifted out from the boundary scan logic or JTAG Controller. When no data is being shifted out, this signal is tri-stated. |
| JTAG_TMS | I | JTAG Mode. The value on this signal controls the test mode select of the boundary scan logic or JTAG Controller. |
| JTAG_TRST_N | I | JTAG Reset. This active low signal asynchronously resets the boundary scan logic and JTAG TAP Controller. An external pull-up on the board is recommended to meet the JTAG specification in cases where the tester can access this signal. However, for systems running in functional mode, one of the following should occur: 1) actively drive this signal low with control logic 2) statically drive this signal low with an external pull-down on the board |

Table 6 Test Pins

| Signal | Type | Name/Description |
|----------------------|------|--|
| V _{DD} CORE | I | Core VDD. Power supply for core logic. |
| V _{DD} IO | I | I/O VDD. LVTTTL I/O buffer power supply. |
| V _{DD} PE | I | PCI Express Digital Power. PCI Express digital power used by the digital power of the SerDes. |
| V _{DD} APE | I | PCI Express Analog Power. PCI Express analog power used by the PLL and bias generator. |
| V _{TT} PE | I | PCI Express Termination Power. |
| V _{SS} | I | Ground. |

Table 7 Power and Ground Pins

Pin Characteristics

Note: Some input pads of the PES8T5A do not contain internal pull-ups or pull-downs. Unused inputs should be tied off to appropriate levels. This is especially critical for unused control signal inputs which, if left floating, could adversely affect operation. Also, any input pin left floating can cause a slight increase in power consumption.

| Function | Pin Name | Type | Buffer | I/O Type | Internal Resistor | Notes | |
|----------------------------|-----------------|------|----------------|----------------------|-------------------|----------------------------------|--|
| PCI Express Inter- face | PE0RN[1:0] | I | CML | Serial Link | | | |
| | PE0RP[1:0] | I | | | | | |
| | PE0TN[1:0] | O | | | | | |
| | PE0TP[1:0] | O | | | | | |
| | PE2RN[0] | I | | | | | |
| | PE2RP[0] | I | | | | | |
| | PE2TN[0] | O | | | | | |
| | PE2TP[0] | O | | | | | |
| | PE3RN[0] | I | | | | | |
| | PE3RP[0] | I | | | | | |
| | PE3TN[0] | O | | | | | |
| | PE3TP[0] | O | | | | | |
| | PE4RN[0] | I | | | | | |
| | PE4RP[0] | I | | | | | |
| | PE4TN[0] | O | | | | | |
| | PE4TP[0] | O | | | | | |
| | PE5RN[0] | I | | | | | |
| | PE5RP[0] | I | | | | | |
| | PE5TN[0] | O | | | | | |
| | PE5TP[0] | O | | | | | |
| | PEREFCLKN | I | LVPECL/ CML | Diff. Clock Input | | Refer to Table 9 | |
| | PEREFCLKP | I | | | | | |
| | REFCLKM | I | LVTTTL | Input | pull-down | | |
| SMBus | MSMBADDR[4:1] | I | LVTTTL | Input | pull-up | | |
| | MSMBCLK | I/O | | STI ¹ | | | |
| | MSMBDAT | I/O | | STI | | | |
| | SSMBADDR[5,3:1] | I | | Input | pull-up | | |
| | SSMBCLK | I/O | | STI | | | |
| | SSMBDAT | I/O | | STI | | | |
| General Purpose I/O | GPIO[10:0] | I/O | LVTTTL | High Drive | pull-up | | |

Table 8 Pin Characteristics (Part 1 of 2)

| Function | Pin Name | Type | Buffer | I/O Type | Internal Resistor | Notes |
|--------------|-------------|------|--------|----------|-------------------|-------|
| System Pins | APWRDISN | I | LVTTTL | Input | pull-down | |
| | CCLKDS | I | | | pull-up | |
| | CCLKUS | I | | | pull-up | |
| | MSMBSMODE | I | | | pull-down | |
| | PERSTN | I | | | pull-up | |
| | RSTHALT | I | | | pull-down | |
| | SWMODE[2:0] | I | | | pull-down | |
| | WAKEN | I/O | | | open-drain | |
| EJTAG / JTAG | JTAG_TCK | I | LVTTTL | STI | pull-up | |
| | JTAG_TDI | I | | STI | pull-up | |
| | JTAG_TDO | O | | | | |
| | JTAG_TMS | I | | STI | pull-up | |
| | JTAG_TRST_N | I | | STI | pull-up | |

Table 8 Pin Characteristics (Part 2 of 2)

¹. Schmitt Trigger Input (STI).

Logic Diagram — PES8T5A



Figure 4 PES8T5A Logic Diagram

System Clock Parameters

Values based on systems running at recommended supply voltages and operating temperatures, as shown in Tables 13 and 14.

| Parameter | Description | Min | Typical | Max | Unit |
|-----------------------------------|---|-----|---------|------------------|-------------------|
| PEREFCLK | | | | | |
| Refclk _{FREQ} | Input reference clock frequency range | 100 | | 125 ¹ | MHz |
| Refclk _{DC} ² | Duty cycle of input clock | 40 | 50 | 60 | % |
| T _R , T _F | Rise/Fall time of input clocks | | | 0.2*RCUI | RCUI ³ |
| V _{SW} | Differential input voltage swing ⁴ | 0.6 | | 1.6 | V |
| T _{jitter} | Input clock jitter (cycle-to-cycle) | | | 125 | ps |

Table 9 Input Clock Requirements

¹ The input clock frequency will be either 100 or 125 MHz depending on signal REFCLKM.

² ClkIn must be AC coupled. Use 0.01 — 0.1 μF ceramic capacitors.

³ RCUI (Reference Clock Unit Interval) refers to the reference clock period.

⁴ AC coupling required.

AC Timing Characteristics

| Parameter | Description | Min ¹ | Typical ¹ | Max ¹ | Units |
|---|--|------------------|----------------------|------------------|-------|
| PCIe Transmit | | | | | |
| UI | Unit Interval | 399.88 | 400 | 400.12 | ps |
| T _{TX-EYE} | Minimum Tx Eye Width | 0.7 | .9 | | UI |
| T _{TX-EYE-MEDIAN-to-MAX-JITTER} | Maximum time between the jitter median and maximum deviation from the median | | | 0.15 | UI |
| T _{TX-RISE} , T _{TX-FALL} | D+ / D- Tx output rise/fall time | 50 | 90 | | ps |
| T _{TX-IDLE-MIN} | Minimum time in idle | 50 | | | UI |
| T _{TX-IDLE-SET-TO-IDLE} | Maximum time to transition to a valid Idle after sending an Idle ordered set | | | 20 | UI |
| T _{TX-IDLE-TO-DIFF-DATA} | Maximum time to transition from valid idle to diff data | | | 20 | UI |
| T _{TX-SKEW} | Transmitter data skew between any 2 lanes | | 500 | 1300 | ps |
| T _{BTE_n} | Time from asserting Beacon TxEn to beacon being transmitted on the lane | | 30 | 80 | ns |
| PCIe Receive | | | | | |
| UI | Unit Interval | 399.88 | 400 | 400.12 | ps |
| T _{RX-EYE (with jitter)} | Minimum Receiver Eye Width (jitter tolerance) | 0.4 | | | UI |

Table 10 PCIe AC Timing Characteristics (Part 1 of 2)

| Parameter | Description | Min ¹ | Typical ¹ | Max ¹ | Units |
|--|---|------------------|----------------------|------------------|-------|
| T _{RX-EYE-MEDIUM TO MAX JITTER} | Max time between jitter median & max deviation | | | 0.3 | UI |
| T _{RX-IDLE-DET-DIFF-ENTER TIME} | Unexpected Idle Enter Detect Threshold Integration Time | | | 10 | ms |
| T _{RX-SKEW} | Lane to lane input skew | | | 20 | ns |

Table 10 PCIe AC Timing Characteristics (Part 2 of 2)

¹: Minimum, Typical, and Maximum values meet the requirements under PCI Specification 1.1

| Signal | Symbol | Reference Edge | Min | Max | Unit | Timing Diagram Reference |
|-------------------------|----------------------|----------------|-----|-----|------|--------------------------|
| GPIO | | | | | | |
| GPIO[10:0] ¹ | Tpw_13b ² | None | 50 | — | ns | See Figure 5. |

Table 11 GPIO AC Timing Characteristics

¹: GPIO signals must meet the setup and hold times if they are synchronous or the minimum pulse width if they are asynchronous.

²: The values for this symbol were determined by calculation, not by testing.



Figure 5 GPIO AC Timing Waveform

| Signal | Symbol | Reference Edge | Min | Max | Unit | Timing Diagram Reference |
|----------------------------------|----------------------|------------------|------|------|------|--------------------------|
| JTAG | | | | | | |
| JTAG_TCK | Tper_16a | none | 25.0 | 50.0 | ns | See Figure 6. |
| | Thigh_16a, Tlow_16a | | 10.0 | 25.0 | ns | |
| JTAG_TMS ¹ , JTAG_TDI | Tsu_16b | JTAG_TCK rising | 2.4 | — | ns | |
| | Thld_16b | | 1.0 | — | ns | |
| JTAG_TDO | Tdo_16c | JTAG_TCK falling | — | 11.3 | ns | |
| | Tdz_16c ² | | — | 11.3 | ns | |
| JTAG_TRST_N | Tpw_16d ² | none | 25.0 | — | ns | |

Table 12 JTAG AC Timing Characteristics

¹ The JTAG specification, IEEE 1149.1, recommends that JTAG_TMS should be held at 1 while the signal applied at JTAG_TRST_N changes from 0 to 1. Otherwise, a race may occur if JTAG_TRST_N is deasserted (going from low to high) on a rising edge of JTAG_TCK when JTAG_TMS is low, because the TAP controller might go to either the Run-Test/Idle state or stay in the Test-Logic-Reset state.

² The values for this symbol were determined by calculation, not by testing.



Figure 6 JTAG AC Timing Waveform

Recommended Operating Supply Voltages

| Symbol | Parameter | Minimum | Typical | Maximum | Unit |
|--------------|--|---------|---------|---------|------|
| V_{DDCORE} | Internal logic supply | 0.9 | 1.0 | 1.1 | V |
| $V_{DDI/O}$ | I/O supply except for SerDes LVPECL/CML | 3.135 | 3.3 | 3.465 | V |
| V_{DDPE} | PCI Express Digital Power | 0.9 | 1.0 | 1.1 | V |
| V_{DDAPE} | PCI Express Analog Power | 0.9 | 1.0 | 1.1 | V |
| V_{TTPE} | PCI Express Serial Data Transmit Termination Voltage | 1.425 | 1.5 | 1.575 | V |
| V_{SS} | Common ground | 0 | 0 | 0 | V |

Table 13 PES8T5A Operating Voltages

Power-Up/Power-Down Sequence

This section describes the sequence in which various voltages must be applied to the part during power-up to ensure proper functionality. For the PES8T5A, the power-up sequence must be as follows:

1. $V_{DDI/O}$ — 3.3V
2. V_{DDCORE} , V_{DDPE} , V_{DDAPE} — 1.0V
3. V_{TTPE} — 1.5V

When powering up, each voltage level must ramp and stabilize prior to applying the next voltage in the sequence to ensure internal latch-up issues are avoided. There are no maximum time limitations in ramping to valid power levels.

The power-down sequence must be in the reverse order of the power-up sequence.

Recommended Operating Temperature

| Grade | Temperature |
|------------|------------------------|
| Commercial | 0°C to +70°C Ambient |
| Industrial | -40°C to +85°C Ambient |

Table 14 PES8T5A Operating Temperatures

Power Consumption

Typical power is measured under the following conditions: 25°C Ambient, 35% total link usage on all ports, typical voltages defined in [Table 13](#).

Maximum power is measured under the following conditions: 70°C Ambient, 85% total link usage on all ports, maximum voltages defined in [Table 13](#).

All power measurements assume that the part is mounted on a 10 layer printed circuit board with 0 LFM airflow.

| Number of Connected Lanes | | Core Supply | | PCIe Digital Supply | | PCIe Analog Supply | | PCIe Termination Supply | | I/O Supply | | Total | |
|---------------------------|--------------|-------------|----------|---------------------|----------|--------------------|----------|-------------------------|------------|------------|------------|-----------|-----------|
| | | Typ 1.0V | Max 1.1V | Typ 1.0V | Max 1.1V | Typ 1.0V | Max 1.1V | Typ 1.5V | Max 1.575V | Typ 3.3V | Max 3.465V | Typ Power | Max Power |
| 4/1/1/1/1 | mA | 308 | 495 | 327 | 440 | 130 | 187 | 161 | 222 | 3 | 3.3 | | |
| | Watts | 0.31 | 0.54 | 0.33 | 0.48 | 0.13 | 0.21 | 0.24 | 0.35 | 0.01 | 0.01 | 1.02 | 1.60 |

Table 15 PES8T5A Power Consumption

Thermal Considerations

This section describes thermal considerations for the PES8T5A (15mm² BCG196 package). The data in [Table 16](#) below contains information that is relevant to the thermal performance of the PES8T5A switch.

| Symbol | Parameter | Value | Units | Conditions |
|--------------------------|---|-------|-------|---------------------------------------|
| $T_{J(max)}$ | Junction Temperature | 125 | °C | Maximum |
| $T_{A(max)}$ | Ambient Temperature | 70 | °C | Maximum for commercial-rated products |
| $T_{A(max)}$ | Ambient Temperature | 85 | °C | Maximum for industrial-rated products |
| $\theta_{JA(effective)}$ | Effective Thermal Resistance, Junction-to-Ambient | 33.3 | °C/W | Zero air flow |
| | | 29 | °C/W | 1 m/S air flow |
| | | 26.6 | °C/W | 2 m/S air flow |
| θ_{JB} | Thermal Resistance, Junction-to-Board | 18.7 | °C/W | |
| θ_{JC} | Thermal Resistance, Junction-to-Case | 9.8 | °C/W | |
| P | Power Dissipation of the Device | 1.60 | Watts | Maximum |

Table 16 Thermal Specifications for PES8T5A, 15x15mm BCG196 Package

DC Electrical Characteristics

Values based on systems running at recommended supply voltages, as shown in [Table 13](#).

Note: See [Table 8](#), Pin Characteristics, for a complete I/O listing.

| I/O Type | Parameter | Description | Min ¹ | Typ ¹ | Max ¹ | Unit | Conditions |
|----------------------------------|---|---|------------------|------------------|------------------|------|------------|
| Serial Link | PCIe Transmit | | | | | | |
| | V _{TX-DIFFp-p} | Differential peak-to-peak output voltage | 800 | | 1200 | mV | |
| | V _{TX-DE-RATIO} | De-emphasized differential output voltage | -3 | | -4 | dB | |
| | V _{TX-DC-CM} | DC Common mode voltage | -0.1 | 1 | 3.7 | V | |
| | V _{TX-CM-ACP} | RMS AC peak common mode output voltage | | | 20 | mV | |
| | V _{TX-CM-DC-active-idle-delta} | Abs delta of DC common mode voltage between L0 and idle | | | 100 | mV | |
| | V _{TX-CM-DC-line-delta} | Abs delta of DC common mode voltage between D+ and D- | | | 25 | mV | |
| | V _{TX-Idle-DiffP} | Electrical idle diff peak output | | | 20 | mV | |
| | V _{TX-RCV-Detect} | Voltage change during receiver detection | | | 600 | mV | |
| | RL _{TX-DIFF} | Transmitter Differential Return loss | 12 | | | dB | |
| | RL _{TX-CM} | Transmitter Common Mode Return loss | 6 | | | dB | |
| | Z _{TX-DEFF-DC} | DC Differential TX impedance | 80 | 100 | 120 | Ω | |
| | Z _{OSE} | Single ended TX Impedance | 40 | 50 | 60 | Ω | |
| | Transmitter Eye Diagram | TX Eye Height (De-emphasized bits) | 505 | 650 | | mV | |
| | Transmitter Eye Diagram | TX Eye Height (Transition bits) | 800 | 950 | | mV | |
| | PCIe Receive | | | | | | |
| | V _{RX-DIFFp-p} | Differential input voltage (peak-to-peak) | 175 | | 1200 | mV | |
| | V _{RX-CM-AC} | Receiver common-mode voltage for AC coupling | | | 150 | mV | |
| | RL _{RX-DIFF} | Receiver Differential Return Loss | 15 | | | dB | |
| | RL _{RX-CM} | Receiver Common Mode Return Loss | 6 | | | dB | |
| Z _{RX-DIFF-DC} | Differential input impedance (DC) | 80 | 100 | 120 | Ω | | |
| Z _{RX-COMM-DC} | Single-ended input impedance | 40 | 50 | 60 | Ω | | |
| Z _{RX-COMM-HIGH-Z-DC} | Powered down input common mode impedance (DC) | 200k | 350k | | Ω | | |
| V _{RX-IDLE-DET-DIFFp-p} | Electrical idle detect threshold | 65 | | 175 | mV | | |
| PCIe REFCLK | | | | | | | |
| | C _{IN} | Input Capacitance | 1.5 | — | | pF | |

Table 17 DC Electrical Characteristics (Part 1 of 2)

| I/O Type | Parameter | Description | Min ¹ | Typ ¹ | Max ¹ | Unit | Conditions |
|-----------------------------|----------------------------------|-------------|------------------|------------------|------------------|---------|------------------|
| Other I/Os | | | | | | | |
| LOW Drive Output | I_{OL} | | — | 2.5 | — | mA | $V_{OL} = 0.4v$ |
| | I_{OH} | | — | -5.5 | — | mA | $V_{OH} = 1.5V$ |
| High Drive Output | I_{OL} | | — | 12.0 | — | mA | $V_{OL} = 0.4v$ |
| | I_{OH} | | — | -20.0 | — | mA | $V_{OH} = 1.5V$ |
| Schmitt Trigger Input (STI) | V_{IL} | | -0.3 | — | 0.8 | V | — |
| | V_{IH} | | 2.0 | — | $V_{DDIO} + 0.5$ | V | — |
| Input | V_{IL} | | -0.3 | — | 0.8 | V | — |
| | V_{IH} | | 2.0 | — | $V_{DDIO} + 0.5$ | V | — |
| Capacitance | C_{IN} | | — | — | 8.5 | pF | — |
| Leakage | Inputs | | — | — | ± 10 | μA | V_{DDIO} (max) |
| | I/O_{LEAK} w/o Pull-ups/downs | | — | — | ± 10 | μA | V_{DDIO} (max) |
| | I/O_{LEAK} WITH Pull-ups/downs | | — | — | ± 80 | μA | V_{DDIO} (max) |

Table 17 DC Electrical Characteristics (Part 2 of 2)

¹: Minimum, Typical, and Maximum values meet the requirements under PCI Specification 1.1.

Package Pinout — 196-BGA Signal Pinout for PES8T5A

The following table lists the pin numbers and signal names for the PES8T5A device.

| Pin | Function | Alt | Pin | Function | Alt | Pin | Function | Alt | Pin | Function | Alt |
|-----|--------------------|-----|-----|----------------------|-----|-----|----------------------|-----|-----|----------------------|-----|
| A1 | V _{SS} | | C7 | V _{DD} APE | | E13 | V _{DD} CORE | | H5 | V _{SS} | |
| A2 | PE0RP03 | | C8 | V _{DD} APE | | E14 | V _{SS} | | H6 | V _{DD} CORE | |
| A3 | V _{SS} | | C9 | V _{TT} PE | | F1 | MSMBDAT | | H7 | V _{DD} CORE | |
| A4 | PE0TN03 | | C10 | CCLKDS | | F2 | SSMBADDR_2 | | H8 | V _{SS} | |
| A5 | PE0TP02 | | C11 | V _{SS} | | F3 | SSMBADDR_5 | | H9 | V _{SS} | |
| A6 | V _{SS} | | C12 | V _{DD} IO | | F4 | V _{DD} IO | | H10 | V _{DD} CORE | |
| A7 | PE0RN02 | | C13 | V _{SS} | | F5 | V _{SS} | | H11 | V _{DD} CORE | |
| A8 | PE0RN01 | | C14 | SWMODE_0 | | F6 | V _{DD} CORE | | H12 | GPIO_05 | |
| A9 | V _{SS} | | D1 | SSMBCLK | | F7 | V _{DD} CORE | | H13 | GPIO_03 | 1 |
| A10 | PE0TP01 | | D2 | SSMBDAT | | F8 | V _{SS} | | H14 | GPIO_02 | |
| A11 | PE0TN00 | | D3 | V _{SS} | | F9 | V _{DD} CORE | | J1 | JTAG_TDO | |
| A12 | V _{SS} | | D4 | V _{DD} IO | | F10 | V _{DD} CORE | | J2 | JTAG_TRST_N | |
| A13 | PE0RP00 | | D5 | V _{DD} CORE | | F11 | V _{DD} IO | | J3 | JTAG_TMS | |
| A14 | V _{SS} | | D6 | V _{DD} CORE | | F12 | GPIO_00 | 1 | J4 | V _{DD} CORE | |
| B1 | V _{SS} | | D7 | V _{DD} PE | | F13 | PERSTN | | J5 | V _{SS} | |
| B2 | PE0RN03 | | D8 | V _{DD} PE | | F14 | V _{SS} | | J6 | V _{DD} CORE | |
| B3 | V _{SS} | | D9 | V _{DD} CORE | | G1 | MSMBADDR_4 | | J7 | V _{SS} | |
| B4 | PE0TP03 | | D10 | V _{DD} IO | | G2 | MSMBCLK | | J8 | V _{DD} CORE | |
| B5 | PE0TN02 | | D11 | V _{DD} CORE | | G3 | V _{DD} IO | | J9 | V _{DD} CORE | |
| B6 | V _{SS} | | D12 | V _{SS} | | G4 | V _{SS} | | J10 | V _{SS} | |
| B7 | PE0RP02 | | D13 | SWMODE_2 | | G5 | V _{DD} CORE | | J11 | V _{DD} IO | |
| B8 | PE0RP01 | | D14 | SWMODE_1 | | G6 | V _{SS} | | J12 | V _{DD} IO | |
| B9 | V _{SS} | | E1 | SSMBADDR_1 | | G7 | V _{SS} | | J13 | GPIO_06 | |
| B10 | PE0TN01 | | E2 | SSMBADDR_3 | | G8 | V _{DD} CORE | | J14 | GPIO_04 | 1 |
| B11 | PE0TP00 | | E3 | V _{DD} IO | | G9 | V _{SS} | | K1 | JTAG_TDI | |
| B12 | V _{SS} | | E4 | V _{DD} CORE | | G10 | V _{SS} | | K2 | V _{DD} IO | |
| B13 | PE0RN00 | | E5 | V _{SS} | | G11 | V _{SS} | | K3 | V _{DD} APE | |
| B14 | V _{SS} | | E6 | V _{SS} | | G12 | V _{DD} IO | | K4 | V _{SS} | |
| C1 | WAKEN | | E7 | V _{SS} | | G13 | GPIO_01 | 1 | K5 | V _{DD} CORE | |
| C2 | APWRDISN | | E8 | V _{SS} | | G14 | RSTHALT | | K6 | V _{SS} | |
| C3 | CCLKUS | | E9 | V _{SS} | | H1 | MSMBADDR_1 | | K7 | V _{SS} | |
| C4 | V _{SS} | | E10 | V _{DD} CORE | | H2 | MSMBADDR_2 | | K8 | V _{SS} | |
| C5 | V _{SS} | | E11 | V _{SS} | | H3 | MSMBADDR_3 | | K9 | V _{SS} | |
| C6 | V _{TT} PE | | E12 | V _{DD} IO | | H4 | V _{DD} CORE | | K10 | V _{SS} | |

Table 18 PES8T5A 196-pin Signal Pin-Out (Part 1 of 2)

| Pin | Function | Alt | Pin | Function | Alt | Pin | Function | Alt | Pin | Function | Alt |
|-----|----------------------|-----|-----|----------------------|-----|-----|-----------------|-----|-----|-----------------|-----|
| K11 | V _{DD} CORE | | L12 | V _{SS} | | M13 | MSMBSMODE | | N14 | PE5RN00 | |
| K12 | V _{SS} | | L13 | GPIO_10 | 1 | M14 | V _{SS} | | P1 | PEREFCLKP | |
| K13 | GPIO_08 | | L14 | GPIO_09 | 1 | N1 | PEREFCLKN | | P2 | V _{SS} | |
| K14 | GPIO_07 | 1 | M1 | V _{SS} | | N2 | V _{SS} | | P3 | PE2RP00 | |
| L1 | JTAG_TCK | | M2 | V _{DD} CORE | | N3 | PE2RN00 | | P4 | V _{SS} | |
| L2 | V _{SS} | | M3 | V _{DD} CORE | | N4 | V _{SS} | | P5 | PE2TN00 | |
| L3 | V _{SS} | | M4 | V _{SS} | | N5 | PE2TP00 | | P6 | PE3TP00 | |
| L4 | V _{DD} IO | | M5 | V _{DD} IO | | N6 | PE3TN00 | | P7 | V _{SS} | |
| L5 | V _{DD} CORE | | M6 | V _{TT} PE | | N7 | V _{SS} | | P8 | PE3RP00 | |
| L6 | V _{DD} CORE | | M7 | V _{DD} APE | | N8 | PE3RN00 | | P9 | PE4RN00 | |
| L7 | V _{DD} PE | | M8 | V _{DD} APE | | N9 | PE4RP00 | | P10 | V _{SS} | |
| L8 | V _{DD} PE | | M9 | V _{TT} PE | | N10 | V _{SS} | | P11 | PE4TP00 | |
| L9 | V _{DD} CORE | | M10 | V _{DD} IO | | N11 | PE4TN00 | | P12 | PE5TN00 | |
| L10 | V _{DD} CORE | | M11 | V _{DD} IO | | N12 | PE5TP00 | | P13 | V _{SS} | |
| L11 | V _{SS} | | M12 | REFCLKM | | N13 | V _{SS} | | P14 | PE5RP00 | |

Table 18 PES8T5A 196-pin Signal Pin-Out (Part 2 of 2)

Alternate Signal Functions

| Pin | GPIO | Alternate |
|-----|---------|------------|
| F12 | GPIO_00 | P2RSTN |
| G13 | GPIO_01 | P4RSTN |
| H14 | GPIO_02 | IOEXPINTN0 |
| H13 | GPIO_03 | IOEXPINTN1 |
| J14 | GPIO_04 | IOEXPINTN2 |
| K14 | GPIO_07 | GPEN |
| L14 | GPIO_09 | P3RSTN |
| L13 | GPIO_10 | P5RSTN |

Table 19 PES8T5A Alternate Signal Functions

Power Pins

| V _{DD} Core | V _{DD} Core | V _{DD} IO | V _{DD} PE | V _{DD} APE | V _{TT} PE |
|----------------------|----------------------|--------------------|--------------------|---------------------|--------------------|
| D5 | H10 | C12 | D7 | C7 | C6 |
| D6 | H11 | D4 | D8 | C8 | C9 |
| D9 | J4 | D10 | L7 | K3 | M6 |
| D11 | J6 | E3 | L8 | M7 | M9 |
| E4 | J8 | E12 | | M8 | |
| E10 | J9 | F4 | | | |
| E13 | K5 | F11 | | | |
| F6 | K11 | G3 | | | |
| F7 | L5 | G12 | | | |
| F9 | L6 | J11 | | | |
| F10 | L9 | J12 | | | |
| G5 | L10 | K2 | | | |
| G8 | M2 | L4 | | | |
| H4 | M3 | M5 | | | |
| H6 | | M10 | | | |
| H7 | | M11 | | | |

Table 20 PES8T5A Power Pins

Ground Pins

| V _{SS} | V _{SS} | V _{SS} | V _{SS} |
|-----------------|-----------------|-----------------|-----------------|
| A1 | D3 | G10 | L3 |
| A3 | D12 | G11 | L11 |
| A6 | E5 | H5 | L12 |
| A9 | E6 | H8 | M1 |
| A12 | E7 | H9 | M4 |
| A14 | E8 | J5 | M14 |
| B1 | E9 | J7 | N2 |
| B3 | E11 | J10 | N4 |
| B6 | E14 | K4 | N7 |
| B9 | F5 | K6 | N10 |
| B12 | F8 | K7 | N13 |
| B14 | F14 | K8 | P2 |
| C4 | G4 | K9 | P4 |
| C5 | G6 | K10 | P7 |
| C11 | G7 | K12 | P10 |
| C13 | G9 | L2 | P13 |

Table 21 PES8T5A Ground Pins

Signals Listed Alphabetically

| Signal Name | I/O Type | Location | Signal Category |
|-------------|----------|----------|------------------------------|
| APWRDISN | I | C2 | System |
| CCLKDS | I | C10 | |
| CCLKUS | I | C3 | |
| GPIO_00 | I/O | F12 | General Purpose Input/Output |
| GPIO_01 | I/O | G13 | |
| GPIO_02 | I/O | H14 | |
| GPIO_03 | I/O | H13 | |
| GPIO_04 | I/O | J14 | |
| GPIO_05 | I/O | H12 | |
| GPIO_06 | I/O | J13 | |
| GPIO_07 | I/O | K14 | |
| GPIO_08 | I/O | K13 | |
| GPIO_09 | I/O | L14 | |
| GPIO_10 | I/O | L13 | |
| JTAG_TCK | I | L1 | JTAG |
| JTAG_TDI | I | K1 | |
| JTAG_TDO | O | J1 | |
| JTAG_TMS | I | J3 | |
| JTAG_TRST_N | I | J2 | |
| MSMBADDR_1 | I | H1 | SMBus |
| MSMBADDR_2 | I | H2 | |
| MSMBADDR_3 | I | H3 | |
| MSMBADDR_4 | I | G1 | |
| MSMBCLK | I/O | G2 | |
| MSMBDAT | I/O | F1 | |
| MSMBSMODE | I | M13 | System |
| PE0RN00 | I | B13 | PCI Express |
| PE0RN01 | I | A8 | |
| PE0RN02 | I | A7 | |
| PE0RN03 | I | B2 | |
| PE0RP00 | I | A13 | |
| PE0RP01 | I | B8 | |
| PE0RP02 | I | B7 | |
| PE0RP03 | I | A2 | |

Table 22 PES8T5A Alphabetical Signal List (Part 1 of 3)

| Signal Name | I/O Type | Location | Signal Category |
|-------------|----------|----------|---------------------|
| PE0TN00 | O | A11 | PCI Express (cont.) |
| PE0TN01 | O | B10 | |
| PE0TN02 | O | B5 | |
| PE0TN03 | O | A4 | |
| PE0TP00 | O | B11 | |
| PE0TP01 | O | A10 | |
| PE0TP02 | O | A5 | |
| PE0TP03 | O | B4 | |
| PE2RN00 | I | N3 | |
| PE2RP00 | I | P3 | |
| PE2TN00 | O | P5 | |
| PE2TP00 | O | N5 | |
| PE3RN00 | I | N8 | |
| PE3RP00 | I | P8 | |
| PE3TN00 | O | N6 | |
| PE3TP00 | O | P6 | |
| PE4RN00 | I | P9 | |
| PE4RP00 | I | N9 | |
| PE4TN00 | O | N11 | |
| PE4TP00 | O | P11 | |
| PE5RN00 | I | N14 | |
| PE5RP00 | I | P14 | |
| PE5TN00 | O | P12 | |
| PE5TP00 | O | N12 | |
| PEREFCLKN | I | N1 | |
| PEREFCLKP | I | P1 | |
| PERSTN | I | F13 | System |
| REFCLKM | I | M12 | PCI Express |
| RSTHALT | I | G14 | System |
| SSMBADDR_1 | I | E1 | SMBus |
| SSMBADDR_2 | I | F2 | |
| SSMBADDR_3 | I | E2 | |
| SSMBADDR_5 | I | F3 | |
| SSMBCLK | I/O | D1 | SMBus |
| SSMBDAT | I/O | D2 | |

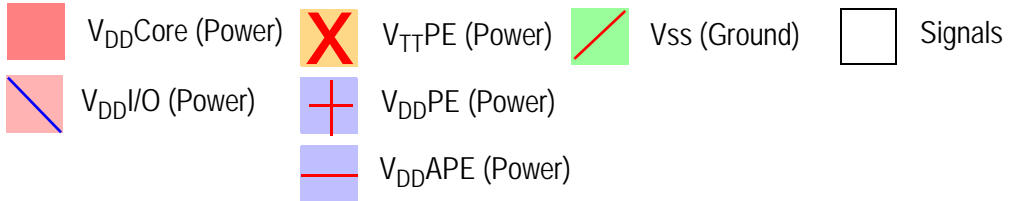
Table 22 PES8T5A Alphabetical Signal List (Part 2 of 3)

| Signal Name | I/O Type | Location | Signal Category |
|---|--|----------|-----------------|
| SWMODE_0 | I | C14 | System |
| SWMODE_1 | I | D14 | |
| SWMODE_2 | I | D13 | |
| WAKEN | I/O | C1 | |
| V _{DD} CORE, V _{DD} APE, V _{DD} IO, V _{DD} PE, V _{TT} PE | See Table 20 for a listing of power pins. | | |
| V _{SS} | See Table 21 for a listing of ground pins. | | |

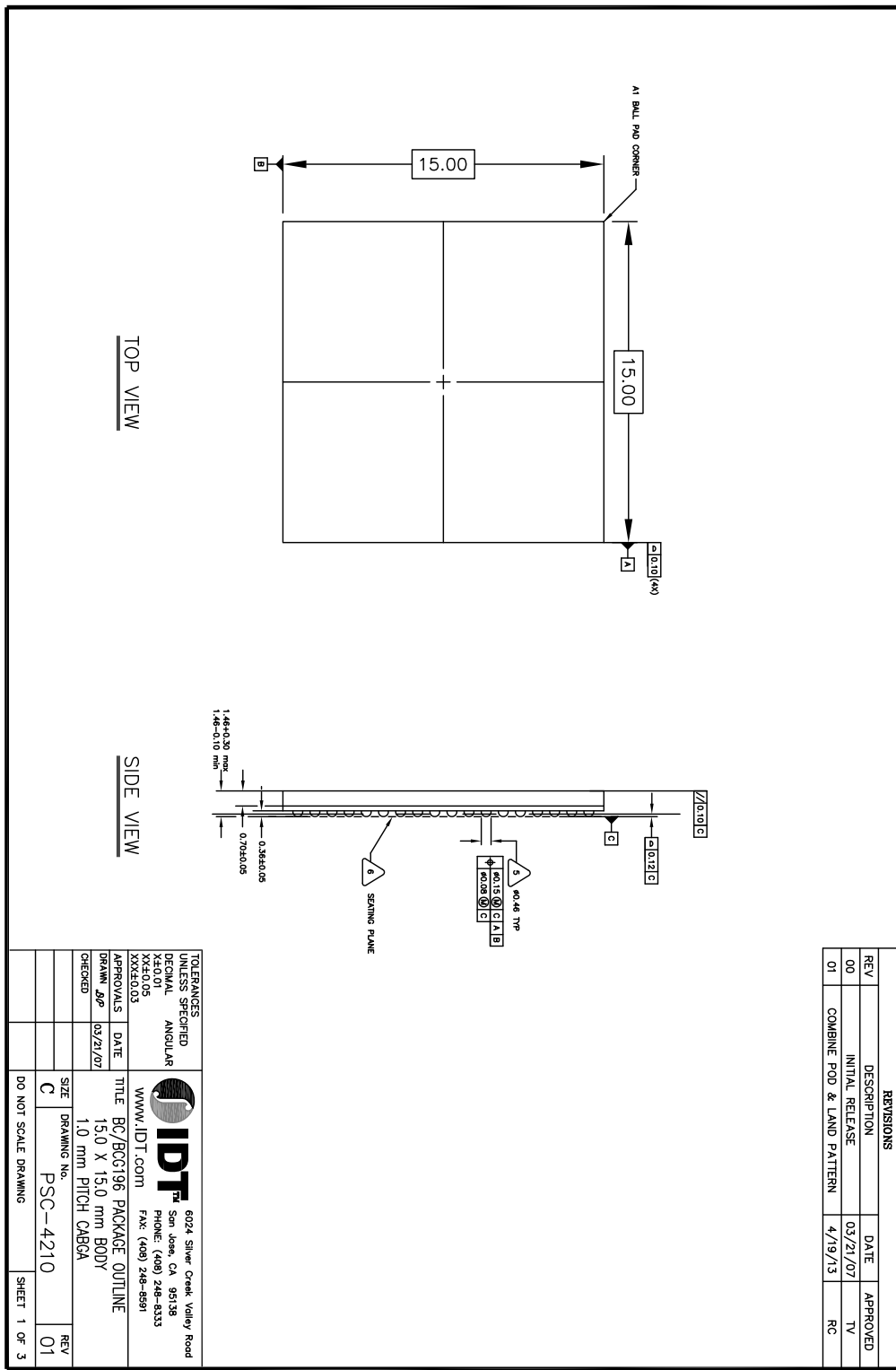
Table 22 PES8T5A Alphabetical Signal List (Part 3 of 3)

PES8T5A Pinout — Top View

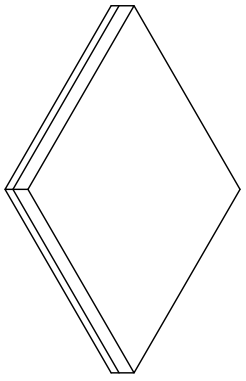
| | 1 | 2 | 3 | 4 | 5 | 6 | 7 | 8 | 9 | 10 | 11 | 12 | 13 | 14 | |
|---|-----|----------------------|----------------------|----------------------|----------------------|----------------------|----------------------|----------------------|----------------------|----------------------|----------------------|----------------------|----------------------|----------------------|---|
| A | Vss | □ | Vss | □ | □ | Vss | □ | □ | Vss | □ | □ | Vss | □ | Vss | A |
| B | Vss | □ | Vss | □ | □ | Vss | □ | □ | Vss | □ | □ | Vss | □ | Vss | B |
| C | □ | □ | □ | V _{DD} I/O | V _{DD} Core | V _{TT} PE | V _{DD} APE | V _{DD} APE | V _{TT} PE | □ | V _{DD} Core | V _{DD} I/O | V _{DD} Core | □ | C |
| D | □ | □ | Vss | V _{DD} I/O | V _{DD} Core | V _{DD} Core | V _{DD} PE | V _{DD} PE | V _{DD} Core | V _{DD} I/O | V _{DD} Core | V _{DD} Core | □ | □ | D |
| E | □ | □ | V _{DD} I/O | V _{DD} Core | V _{DD} Core | V _{DD} Core | V _{DD} Core | V _{DD} Core | V _{DD} Core | V _{DD} Core | V _{DD} Core | V _{DD} I/O | V _{DD} Core | V _{DD} Core | E |
| F | □ | □ | □ | V _{DD} I/O | V _{DD} Core | V _{DD} Core | V _{DD} Core | V _{DD} Core | V _{DD} Core | V _{DD} Core | V _{DD} I/O | □ | □ | V _{DD} Core | F |
| G | □ | □ | V _{DD} I/O | V _{DD} Core | V _{DD} Core | V _{DD} Core | V _{DD} Core | V _{DD} Core | V _{DD} Core | V _{DD} Core | V _{DD} Core | V _{DD} I/O | □ | □ | G |
| H | □ | □ | □ | V _{DD} Core | V _{DD} Core | V _{DD} Core | V _{DD} Core | V _{DD} Core | V _{DD} Core | V _{DD} Core | V _{DD} Core | □ | □ | □ | H |
| J | □ | □ | □ | V _{DD} Core | V _{DD} Core | V _{DD} Core | V _{DD} Core | V _{DD} Core | V _{DD} Core | V _{DD} Core | V _{DD} I/O | V _{DD} I/O | □ | □ | J |
| K | □ | V _{DD} I/O | V _{DD} APE | V _{DD} Core | V _{DD} Core | V _{DD} Core | V _{DD} Core | V _{DD} Core | V _{DD} Core | V _{DD} Core | V _{DD} Core | V _{DD} Core | □ | □ | K |
| L | □ | Vss | Vss | V _{DD} I/O | V _{DD} Core | V _{DD} Core | V _{DD} PE | V _{DD} PE | V _{DD} Core | V _{DD} Core | V _{DD} Core | V _{DD} Core | □ | □ | L |
| M | Vss | V _{DD} Core | V _{DD} Core | V _{DD} Core | V _{DD} I/O | V _{TT} PE | V _{DD} APE | V _{DD} APE | V _{TT} PE | V _{DD} I/O | V _{DD} I/O | □ | □ | Vss | M |
| N | □ | Vss | □ | Vss | □ | □ | Vss | □ | □ | Vss | □ | □ | Vss | □ | N |
| P | □ | Vss | □ | Vss | □ | □ | Vss | □ | □ | Vss | □ | □ | Vss | □ | P |
| | 1 | 2 | 3 | 4 | 5 | 6 | 7 | 8 | 9 | 10 | 11 | 12 | 13 | 14 | |



PES8T5A Package Drawing — 196-Pin BC196/BCG196

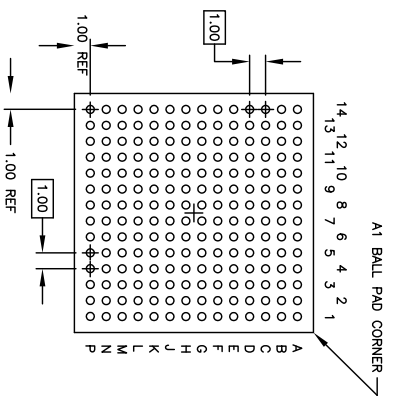


| REVISIONS | | | |
|-----------|----------------------------|----------|----------|
| REV | DESCRIPTION | DATE | APPROVED |
| 00 | INITIAL RELEASE | 03/21/07 | TV |
| 01 | COMBINE POD & LAND PATTERN | 4/19/13 | RC |



NOTES: UNLESS OTHERWISE SPECIFIED

- ALL DIMENSIONS AND TOLERANCES CONFORM TO ASME Y14.5M-1994.
- THE BASIC SOLDER BALL GRID PITCH IS 1.00mm.
- THE MAXIMUM SOLDER BALL MATRIX SIZE IS 14 X 14.
- THE MAXIMUM ALLOWABLE NUMBER OF SOLDER BALLS IS 196.
- DIMENSION IS MEASURED AT THE MAXIMUM SOLDER BALL DIAMETER, PARALLEL TO PRIMARY DATUM C.
- PRIMARY DATUM C AND SEATING PLANE ARE DEFINED BY THE SPHERICAL CROWNS OF THE SOLDER BALLS.
- *A1" ID CORNER MUST BE IDENTIFIED. IDENTIFICATION MAY BE BY MEANS OF CHAMFER, METALLIZED OR INK MARK, INDENTATION OR OTHER FEATURE OF THE PACKAGE BODY.
- THIS DRAWING CONFORMS TO THE JEDEC REGISTERED OUTLINE MS-034/A, VARIATION AAG-1 EXCEPT FOR A1, b, AND ooo DIMENSIONS.



BOTTOM VIEW
196 SOLDER BALLS

TOLERANCES UNLESS SPECIFIED DECIMAL ANGLULAR
XX.XX
XX.X
XX
APPROVALS DATE
DRAWN gfp 03/21/07
CHECKED
www.IDT.com
FAX: (408) 248-8991
6024 Silver Creek Valley Road
San Jose, CA 95138
PHONE: (408) 248-8333

| SIZE | DRAWING No. | REV |
|------|-------------|-----|
| C | PSC-4210 | 01 |

DO NOT SCALE DRAWING SHEET 2 OF 3

Revision History

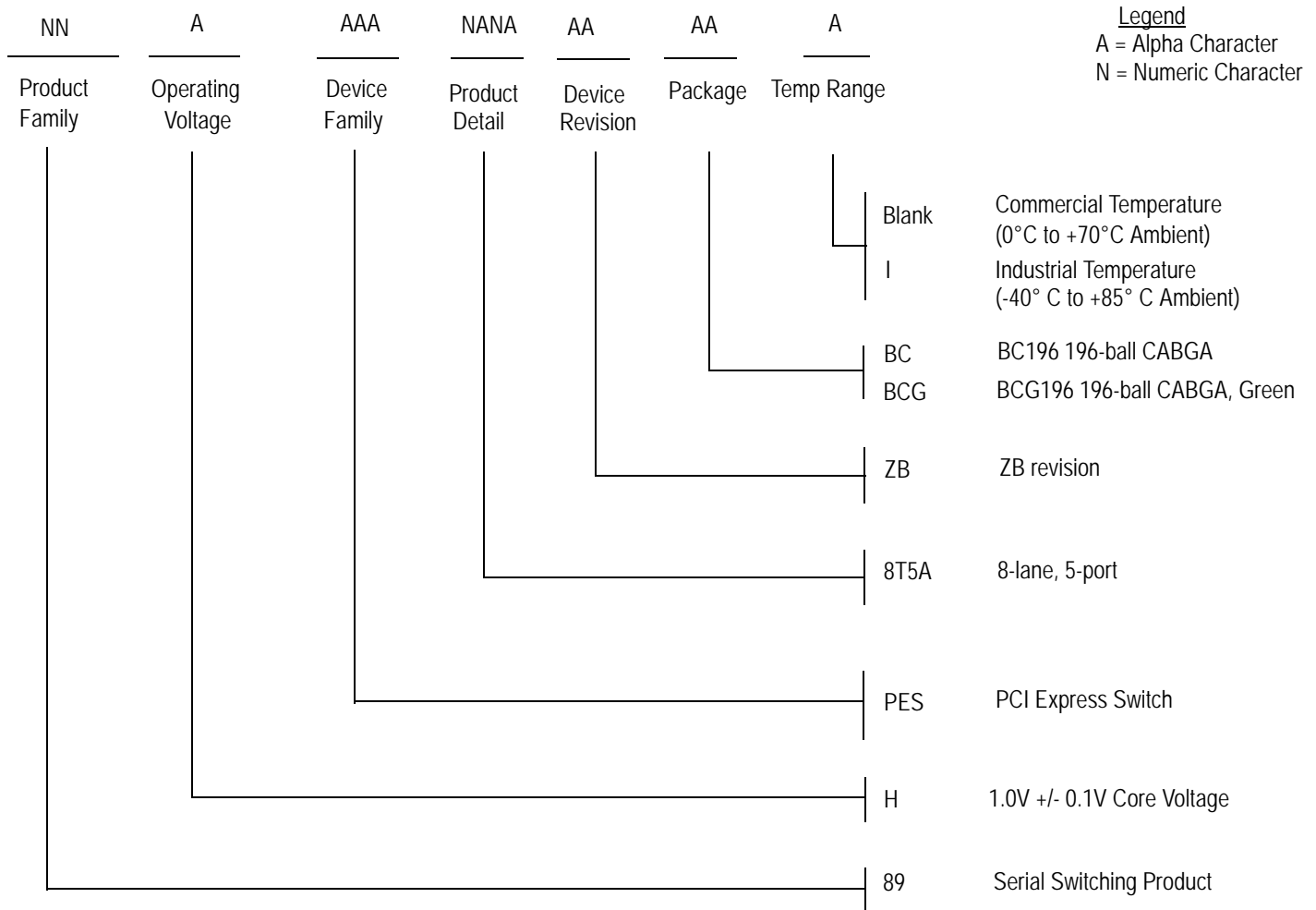
March 31, 2008: Publication of final data sheet.

August 6, 2008: Added industrial temperature information to Tables 14 and 16 and to Ordering Information section.

May 7, 2009: Revised labels in Table 15, Power Consumption, for greater clarification.

June 18, 2014: Changed the height dimension for the side view in [PES8T5A Package Drawing — 196-Pin BC196/BCG196](#) to match the package's characteristics.

Ordering Information



Valid Combinations

| | |
|------------------|--|
| 89HPES8T5AZBBC | 196-pin BC196 package, Commercial Temperature |
| 89HPES8T5AZBBCG | 196-pin Green BCG196 package, Commercial Temperature |
| 89HPES8T5AZBBCI | 196-pin BC196 package, Industrial Temperature |
| 89HPES8T5AZBBCGI | 196-pin Green BCG196 package, Industrial Temperature |

IMPORTANT NOTICE AND DISCLAIMER

RENESAS ELECTRONICS CORPORATION AND ITS SUBSIDIARIES (“RENESAS”) PROVIDES TECHNICAL SPECIFICATIONS AND RELIABILITY DATA (INCLUDING DATASHEETS), DESIGN RESOURCES (INCLUDING REFERENCE DESIGNS), APPLICATION OR OTHER DESIGN ADVICE, WEB TOOLS, SAFETY INFORMATION, AND OTHER RESOURCES “AS IS” AND WITH ALL FAULTS, AND DISCLAIMS ALL WARRANTIES, EXPRESS OR IMPLIED, INCLUDING, WITHOUT LIMITATION, ANY IMPLIED WARRANTIES OF MERCHANTABILITY, FITNESS FOR A PARTICULAR PURPOSE, OR NON-INFRINGEMENT OF THIRD PARTY INTELLECTUAL PROPERTY RIGHTS.

These resources are intended for developers skilled in the art designing with Renesas products. You are solely responsible for (1) selecting the appropriate products for your application, (2) designing, validating, and testing your application, and (3) ensuring your application meets applicable standards, and any other safety, security, or other requirements. These resources are subject to change without notice. Renesas grants you permission to use these resources only for development of an application that uses Renesas products. Other reproduction or use of these resources is strictly prohibited. No license is granted to any other Renesas intellectual property or to any third party intellectual property. Renesas disclaims responsibility for, and you will fully indemnify Renesas and its representatives against, any claims, damages, costs, losses, or liabilities arising out of your use of these resources. Renesas' products are provided only subject to Renesas' Terms and Conditions of Sale or other applicable terms agreed to in writing. No use of any Renesas resources expands or otherwise alters any applicable warranties or warranty disclaimers for these products.

(Disclaimer Rev.1.0 Mar 2020)

Corporate Headquarters

TOYOSU FORESIA, 3-2-24 Toyosu,
Koto-ku, Tokyo 135-0061, Japan
www.renesas.com

Contact Information

For further information on a product, technology, the most up-to-date version of a document, or your nearest sales office, please visit:
www.renesas.com/contact/

Trademarks

Renesas and the Renesas logo are trademarks of Renesas Electronics Corporation. All trademarks and registered trademarks are the property of their respective owners.