

LF298-MIL Monolithic Sample-and-Hold Circuits

1 Features

- Operates from ± 5 -V to ± 18 -V Supplies
- Less than 10- μ s Acquisition Time
- Logic Input Compatible With TTL, PMOS, CMOS
- 0.5-mV Typical Hold Step at $C_h = 0.01 \mu\text{F}$
- Low Input Offset
- 0.002% Gain Accuracy
- Low Output Noise in Hold Mode
- Input Characteristics Do Not Change During Hold Mode
- High Supply Rejection Ratio in Sample or Hold
- Wide Bandwidth
- Space Qualified, JM38510

2 Applications

- Ramp Generators With Variable Reset Level
- Integrators With Programmable Reset Level
- Synchronous Correlators
- 2-Channel Switches
- DC and AC Zeroing
- Staircase Generators

3 Description

The LF298-MIL devices are monolithic sample-and-hold circuits that use BI-FET technology to obtain ultrahigh DC accuracy with fast acquisition of signal and low droop rate. Operating as a unity-gain follower, DC gain accuracy is 0.002% typical and acquisition time is as low as 6 μs to 0.01%. A bipolar input stage is used to achieve low offset voltage and wide bandwidth. Input offset adjust is accomplished with a single pin and does not degrade input offset drift. The wide bandwidth allows the LF298-MIL to be included inside the feedback loop of 1-MHz operational amplifiers without having stability problems. Input impedance of $10^{10} \Omega$ allows high-source impedances to be used without degrading accuracy.

P-channel junction FETs are combined with bipolar devices in the output amplifier to give droop rates as low as 5 mV/min with a 1- μF hold capacitor. The JFETs have much lower noise than MOS devices used in previous designs and do not exhibit high temperature instabilities. The overall design ensures no feedthrough from input to output in the hold mode, even for input signals equal to the supply voltages.

Logic inputs on the LF298-MIL are fully differential with low input current, allowing for direct connection to TTL, PMOS, and CMOS. Differential threshold is 1.4 V. The LF298-MIL will operate from ± 5 -V to ± 18 -V supplies.

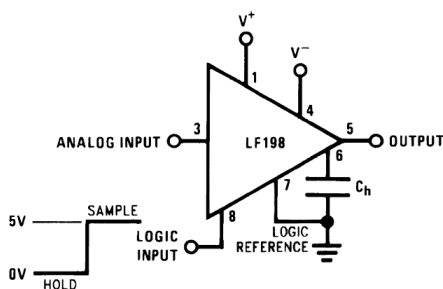
An A version is available with tightened electrical specifications.

Device Information⁽¹⁾

PART NUMBER	PACKAGE	BODY SIZE (NOM)
LF298-MIL	SOIC (14)	8.65 mm x 3.91 mm
	TO-99 (8)	9.08 mm x 9.08 mm

(1) For all available packages, see the orderable addendum at the end of the data sheet.

Typical Connection



Acquisition Time

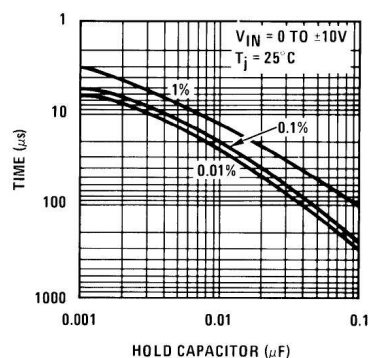


Table of Contents

1 Features	1	8.3 Feature Description	11
2 Applications	1	8.4 Device Functional Modes	11
3 Description	1	9 Application and Implementation	12
4 Revision History	2	9.1 Application Information	12
5 Pin Configuration and Functions	3	9.2 Typical Applications	14
6 Specifications	4	10 Power Supply Recommendations	23
6.1 Absolute Maximum Ratings	4	11 Layout	24
6.2 Recommended Operating Conditions	4	11.1 Layout Guidelines	24
6.3 Thermal Information	4	11.2 Layout Example	24
6.4 Electrical Characteristics	5	12 Device and Documentation Support	25
6.5 Typical Characteristics	6	12.1 Device Support	25
7 Parameter Measurement Information	9	12.2 Receiving Notification of Documentation Updates	25
7.1 TTL and CMOS $3\text{ V} \leq V_{\text{LOGIC}} (\text{Hi State}) \leq 7\text{ V}$	9	12.3 Community Resources	25
7.2 CMOS $7\text{ V} \leq V_{\text{LOGIC}} (\text{Hi State}) \leq 15\text{ V}$	9	12.4 Trademarks	25
7.3 Operational Amplifier Drive	10	12.5 Electrostatic Discharge Caution	25
8 Detailed Description	11	12.6 Glossary	25
8.1 Overview	11	13 Mechanical, Packaging, and Orderable Information	25
8.2 Functional Block Diagram	11		

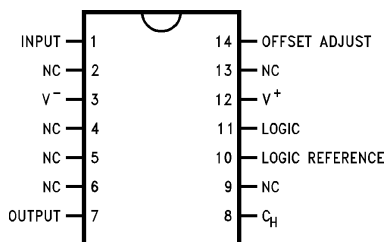
4 Revision History

NOTE: Page numbers for previous revisions may differ from page numbers in the current version.

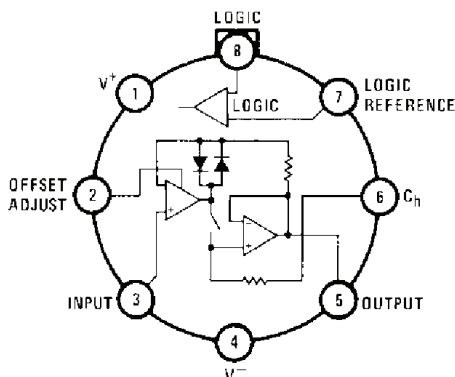
DATE	REVISION	NOTES
June 2017	*	Initial release.

5 Pin Configuration and Functions

**D Package
14-Pin SOIC
Top View**



**LMC Package
8-Pin TO-99
Top View**



A military RETS electrical test specification is available on request.

Pin Functions

NAME	PIN		TYPE ⁽¹⁾	DESCRIPTION
	SOIC	TO-99		
V ⁺	12	1	P	Positive supply
OFFSET ADJUST	14	2	A	DC offset compensation pin
INPUT	1	3	A	Analog Input
V ⁻	3	4	P	Negative supply
OUTPUT	7	5	O	Output
C _h	8	6	A	Hold capacitor
LOGIC REFERENCE	10	7	I	Reference for LOGIC input
LOGIC	11	8	I	Logic input for Sample and Hold modes
NC	2, 4, 5, 6, 9, 13	—	NA	No connect

(1) P = Power, G = Ground, I = Input, O = Output, A = Analog

6 Specifications

6.1 Absolute Maximum Ratings

 over operating free-air temperature range (unless otherwise noted)⁽¹⁾⁽²⁾

		MIN	MAX	UNIT
Supply voltage			±18	V
Power dissipation	(Package limitation, see ⁽³⁾)		500	mW
Operating ambient temperature		-25	85	°C
Input voltage			±18	V
Logic-to-logic reference differential voltage (see ⁽⁴⁾)		7	-30	V
Output short circuit duration		Indefinite		
Hold capacitor short circuit duration			10	sec
Lead temperature	H package (soldering, 10 sec.)		260	°C
	N package (soldering, 10 sec.)		260	°C
	M package: vapor phase (60 sec.)		215	°C
	Infrared (15 sec.)		220	°C
Storage temperature, T _{stg}		-65	150	°C

- (1) Stresses beyond those listed under *Absolute Maximum Ratings* may cause permanent damage to the device. These are stress ratings only, which do not imply functional operation of the device at these or any other conditions beyond those indicated under *Recommended Operating Conditions*. Exposure to absolute-maximum-rated conditions for extended periods may affect device reliability.
- (2) If Military/Aerospace specified devices are required, please contact the TI Sales Office/ Distributors for availability and specifications.
- (3) The maximum power dissipation must be derated at elevated temperatures and is dictated by T_{JMAX}, R_{θJA}, and the ambient temperature, T_A. The maximum allowable power dissipation at any temperature is P_D = (T_{JMAX} - T_A) / R_{θJA}, or the number given in the Absolute Maximum Ratings, whichever is lower. The maximum junction temperature, T_{JMAX}, for the LF298-MIL is 115°C.
- (4) Although the differential voltage may not exceed the limits given, the common-mode voltage on the logic pins may be equal to the supply voltages without causing damage to the circuit. For proper logic operation, however, one of the logic pins must always be at least 2 V below the positive supply and 3 V above the negative supply.

6.2 Recommended Operating Conditions

over operating free-air temperature range (unless otherwise noted)

		MIN	NOM	MAX	UNIT
Supply voltage			±15		V
T _J	Ambient temperature	-25		85	°C

6.3 Thermal Information

THERMAL METRIC ⁽¹⁾		LF298-MIL		UNIT
		D (SOIC)	LMC (TO-99)	
		14 PINS	8 PINS	
R _{θJA}	Junction-to-ambient thermal resistance	80.6	85 ⁽²⁾	°C/W
R _{θJC(top)}	Junction-to-case (top) thermal resistance	38.1	20	°C/W
R _{θJB}	Junction-to-board thermal resistance	35.4	—	°C/W
Ψ _{JT}	Junction-to-top characterization parameter	5.8	—	°C/W
Ψ _{JB}	Junction-to-board characterization parameter	35.1	—	°C/W

- (1) For more information about traditional and new thermal metrics, see the [Semiconductor and IC Package Thermal Metrics](#) application report.
- (2) Board mount in 400 LF/min air flow.

6.4 Electrical Characteristics

The following specifications apply for $-V_S + 3.5\text{ V} \leq V_{IN} \leq +V_S - 3.5\text{ V}$, $+V_S = +15\text{ V}$, $-V_S = -15\text{ V}$, $T_A = T_J = 25^\circ\text{C}$, $C_h = 0.01\text{ }\mu\text{F}$, $R_L = 10\text{ k}\Omega$, LOGIC REFERENCE = 0 V, LOGIC HIGH = 2.5 V, LOGIC LOW = 0 V unless otherwise specified.

PARAMETER	TEST CONDITIONS	MIN	TYP	MAX	UNIT
Input offset voltage ⁽¹⁾	$T_J = 25^\circ\text{C}$		1	3	mV
	Full temperature range			5	mV
Input bias current ⁽¹⁾	$T_J = 25^\circ\text{C}$		5	25	nA
	Full temperature range			75	nA
Input impedance	$T_J = 25^\circ\text{C}$		10		G Ω
Gain error	$T_J = 25^\circ\text{C}$, $R_L = 10\text{ k}$		0.002%	0.005%	
	Full temperature range			0.02%	
Feedthrough attenuation ratio at 1 kHz	$T_J = 25^\circ\text{C}$, $C_h = 0.01\text{ }\mu\text{F}$	86	96		dB
Output impedance	$T_J = 25^\circ\text{C}$, "HOLD" mode		0.5	2	Ω
	Full temperature range			4	Ω
HOLD step ⁽²⁾	$T_J = 25^\circ\text{C}$, $C_h = 0.01\text{ }\mu\text{F}$, $V_{OUT} = 0$		0.5	2	mV
Supply current ⁽¹⁾	$T_J \geq 25^\circ\text{C}$		4.5	5.5	mA
Logic and logic reference input current	$T_J = 25^\circ\text{C}$		2	10	μA
Leakage current into hold capacitor ⁽¹⁾	$T_J = 25^\circ\text{C}$, hold mode ⁽³⁾		30	100	μA
Acquisition time to 0.1%	$\Delta V_{OUT} = 10\text{ V}$, $C_h = 1000\text{ pF}$		4		μs
	$C_H = 0.01\text{ }\mu\text{F}$		20		μs
Hold capacitor charging current	$V_{IN} - V_{OUT} = 2\text{ V}$		5		mA
Supply voltage rejection ratio	$V_{OUT} = 0$	80	110		dB
Differential logic threshold	$T_J = 25^\circ\text{C}$	0.8	1.4	2.4	V

- (1) These parameters ensured over a supply voltage range of ± 5 to $\pm 18\text{ V}$, and an input range of $-V_S + 3.5\text{ V} \leq V_{IN} \leq +V_S - 3.5\text{ V}$.
- (2) Hold step is sensitive to stray capacitive coupling between input logic signals and the hold capacitor. 1 pF, for instance, will create an additional 0.5-mV step with a 5-V logic swing and a 0.01- μF hold capacitor. Magnitude of the hold step is inversely proportional to hold capacitor value.
- (3) Leakage current is measured at a junction temperature of 25°C. The effects of junction temperature rise due to power dissipation or elevated ambient can be calculated by doubling the 25°C value for each 11°C increase in chip temperature. Leakage is guaranteed over full input signal range.

6.5 Typical Characteristics

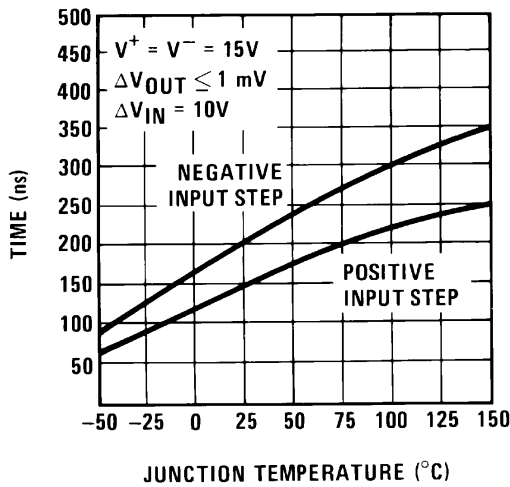


Figure 1. Aperture Time

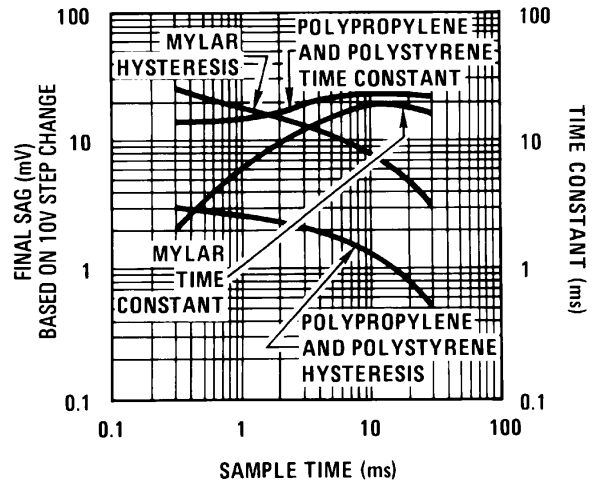


Figure 2. Dielectric Absorption Error in Hold Capacitor

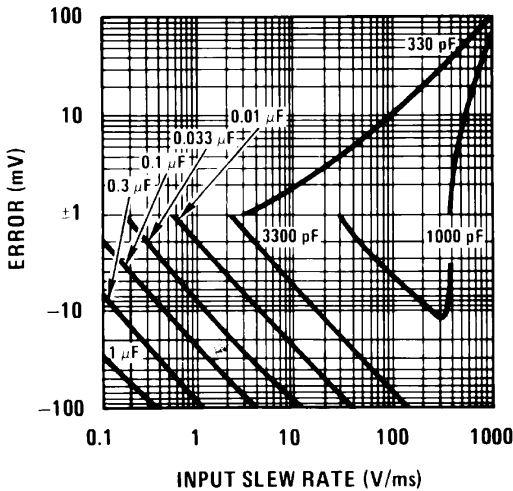


Figure 3. Dynamic Sampling Error

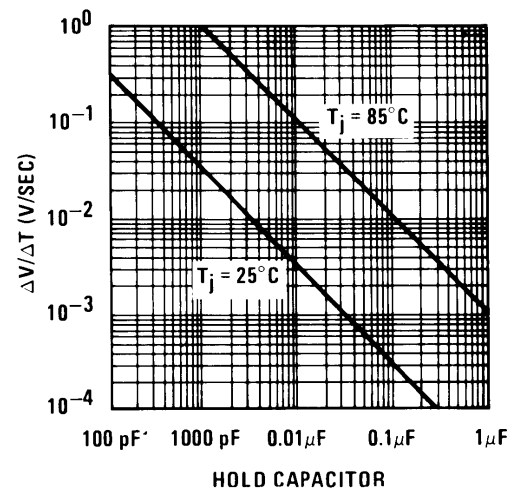


Figure 4. Output Droop Rate

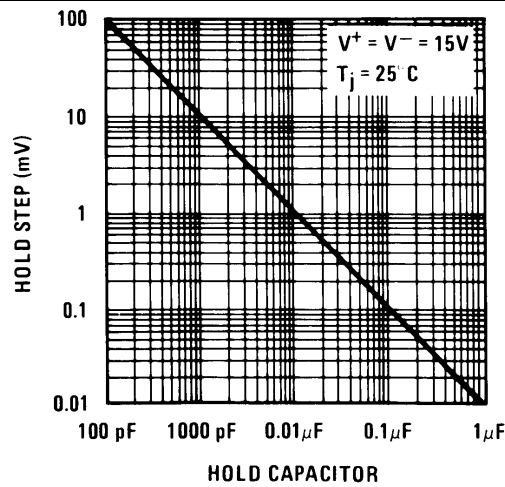


Figure 5. Hold Step

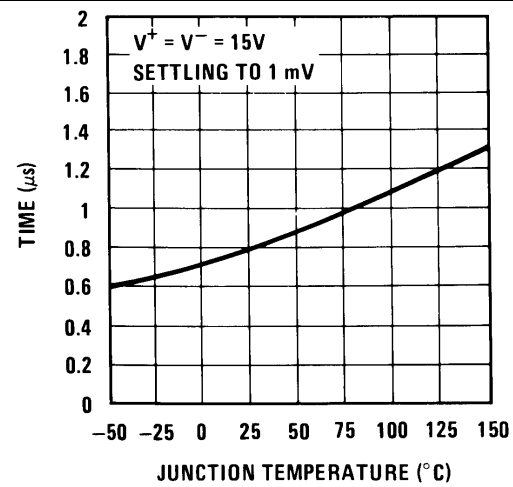


Figure 6. Hold Settling Time

Typical Characteristics (continued)

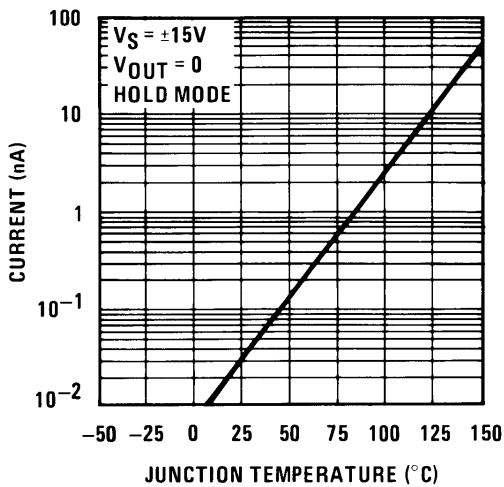


Figure 7. Leakage Current into Hold Capacitor

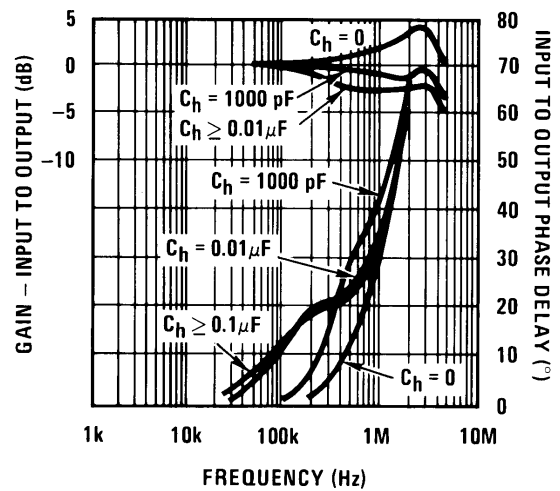


Figure 8. Phase and Gain (Input to Output, Small Signal)

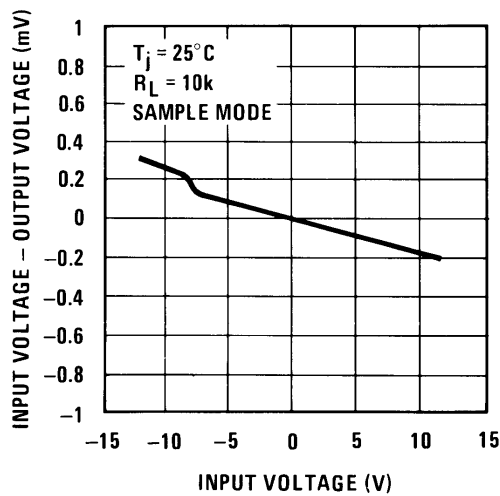


Figure 9. Gain Error

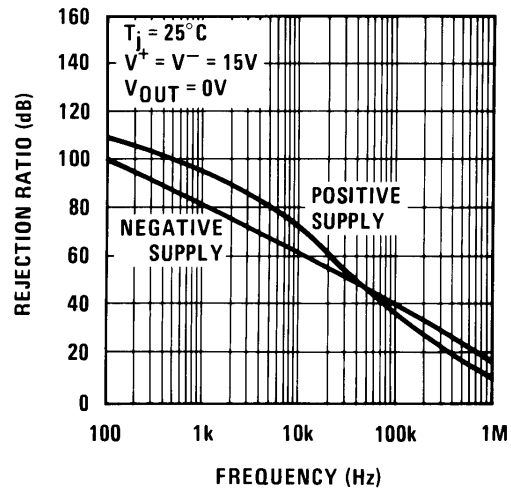


Figure 10. Power Supply Rejection

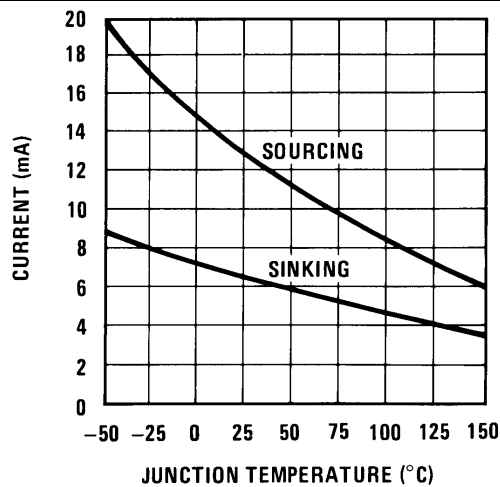


Figure 11. Output Short Circuit Current

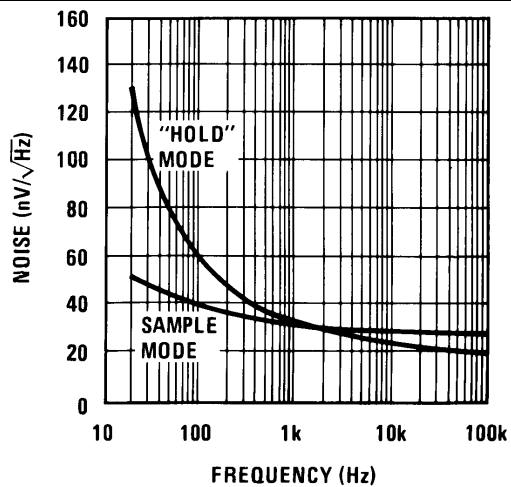


Figure 12. Output Noise

Typical Characteristics (continued)

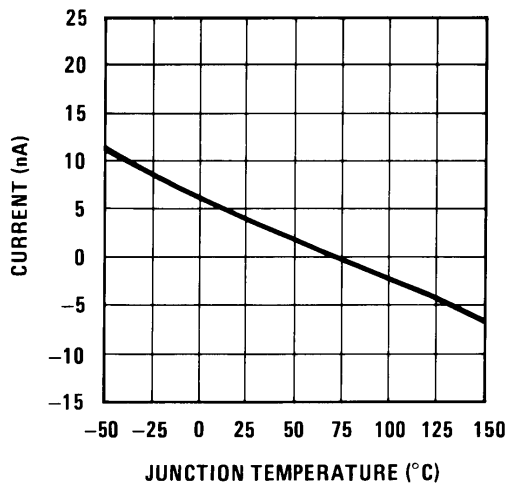


Figure 13. Input Bias Current

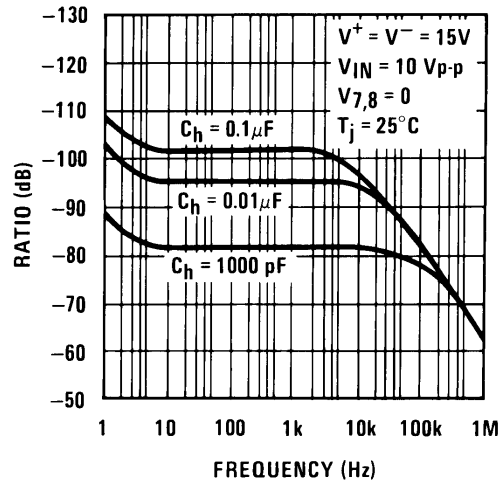


Figure 14. Feedthrough Rejection Ratio (Hold Mode)

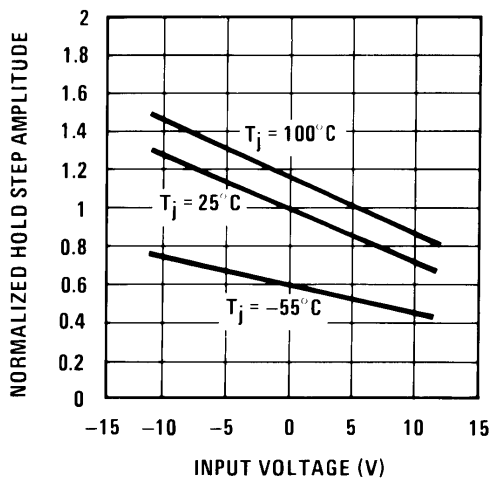


Figure 15. Hold Step vs Input Voltage

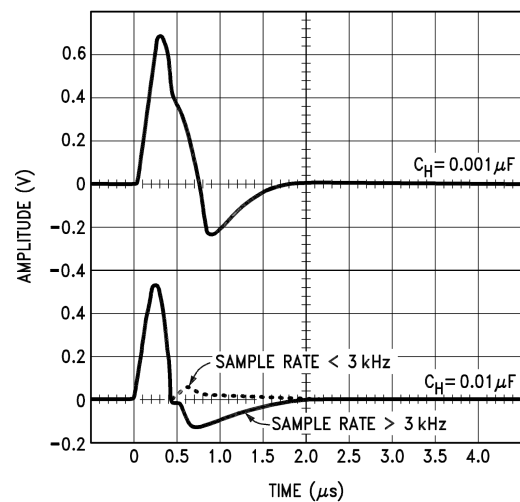


Figure 16. Output Transient at Start of Sample Mode

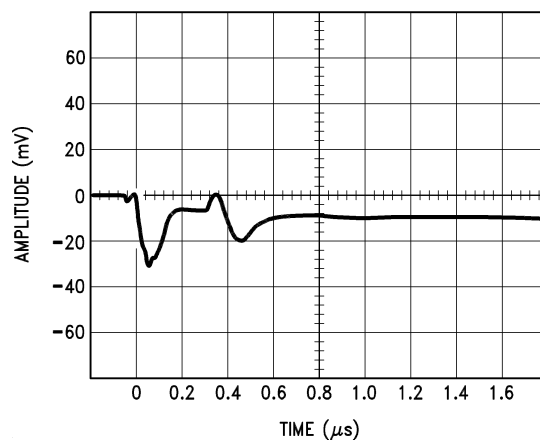
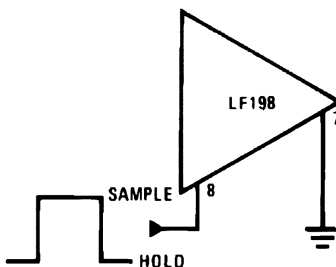


Figure 17. Output Transient at Start of Hold Mode

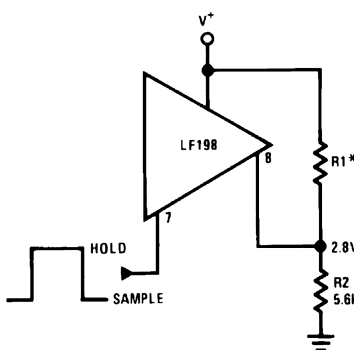
7 Parameter Measurement Information

7.1 TTL and CMOS $3\text{ V} \leq V_{\text{LOGIC}} (\text{Hi State}) \leq 7\text{ V}$



Threshold = 1.4 V

Figure 18. Sample When Logic High With TTL and CMOS Biasing

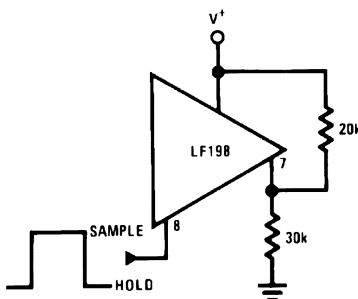


Threshold = 1.4 V

Select for 2.8 V at pin 8

Figure 19. Sample When Logic Low With TTL and CMOS Biasing

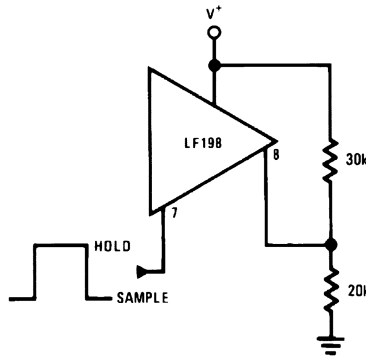
7.2 CMOS $7\text{ V} \leq V_{\text{LOGIC}} (\text{Hi State}) \leq 15\text{ V}$



Threshold = $0.6 (V^+) + 1.4\text{ V}$

Figure 20. Sample When Logic High With CMOS Biasing

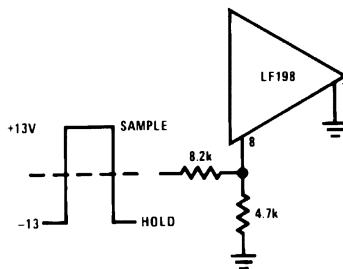
CMOS $7\text{ V} \leq V_{\text{LOGIC}} (\text{Hi State}) \leq 15\text{ V}$ (continued)



Threshold = $0.6 (V^+) - 1.4\text{V}$

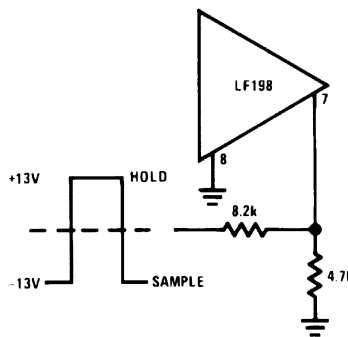
Figure 21. Sample When Logic Low With CMOS Biasing

7.3 Operational Amplifier Drive



Threshold $\approx +4\text{ V}$

Figure 22. Sample When Logic High With Operational Amplifier Biasing



Threshold = -4 V

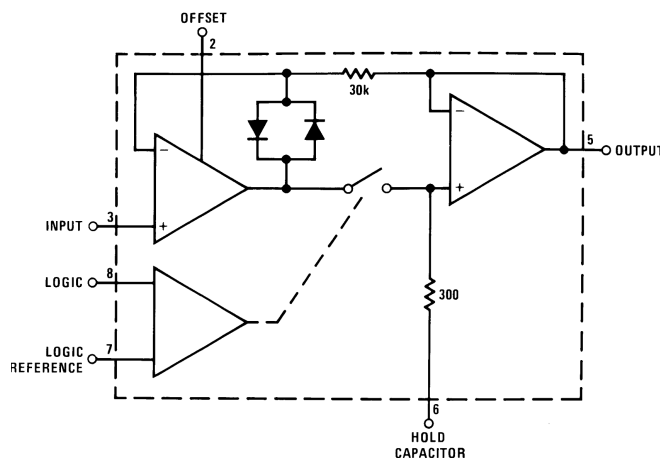
Figure 23. Sample When Logic Low With Operational Amplifier Biasing

8 Detailed Description

8.1 Overview

The LF298-MIL devices are monolithic sample-and-hold circuits that utilize BI-FET technology to obtain ultrahigh DC accuracy with fast acquisition of signal and low droop rate. Operating as a unity-gain follower, DC gain accuracy is 0.002% typical and acquisition time is as low as 6 μ s to 0.01%. A bipolar input stage is used to achieve low offset voltage and wide bandwidth. Input offset adjust is accomplished with a single pin, and does not degrade input offset drift. Input impedance of $10^{10} \Omega$ allows high-source impedances to be used without degrading accuracy.

8.2 Functional Block Diagram



8.3 Feature Description

The LF298-MIL OUTPUT tracks the INPUT signal by charging and discharging the hold capacitor. The OUTPUT can be held at any given time by pulling the LOGIC input low relative to the LOGIC REFERENCE voltage and resume sampling when LOGIC returns high. Additionally, the OFFSET pin can be used to zero the offset voltage present at the INPUT.

8.4 Device Functional Modes

The LF298-MIL devices have a *sample* mode and *hold* mode controlled by the LOGIC voltage relative to the LOGIC REFERENCE voltage. The device is in *sample* mode when the LOGIC input is pulled high relative to the LOGIC REFERENCE voltage and in *hold* mode when the LOGIC input is pulled low relative to the LOGIC REFERENCE. In *sample* mode, the output is tracking the input signal by charging and discharging the hold capacitor. Smaller values of hold capacitance will allow the output to track faster signals. In *hold* mode the input signal is disconnected from the signal path and the output retains the value on the hold capacitor. Larger values of capacitance will have a smaller droop rate as shown in [Figure 4](#).

9 Application and Implementation

NOTE

Information in the following applications sections is not part of the TI component specification, and TI does not warrant its accuracy or completeness. TI's customers are responsible for determining suitability of components for their purposes. Customers should validate and test their design implementation to confirm system functionality.

9.1 Application Information

9.1.1 Hold Capacitor

Hold step, acquisition time, and droop rate are the major trade-offs in the selection of a hold capacitor value. Size and cost may also become important for larger values. Use of the curves included with this data sheet should be helpful in selecting a reasonable value of capacitance.

A significant source of error in an accurate sample and hold circuit is dielectric absorption in the hold capacitor. A mylar cap, for instance, may *sag back* up to 0.2% after a quick change in voltage. A long sample time is required before the circuit can be put back into the hold mode with this type of capacitor. Dielectrics with very low hysteresis are polystyrene, polypropylene, and Teflon. Other types such as mica and polycarbonate are not nearly as good. The advantage of polypropylene over polystyrene is that it extends the maximum ambient temperature from 85°C to 100°C. Most ceramic capacitors are unusable with > 1% hysteresis. Ceramic NPO or COG capacitors are now available for 125°C operation and also have low dielectric absorption. For more exact data, see [Figure 2](#). The hysteresis numbers on the curve are final values, taken after full relaxation. The hysteresis relaxation time constant in polypropylene, for instance, is 10 to 50 ms. If A-to-D conversion can be made within 1 ms, hysteresis error will be reduced by a factor of ten.

9.1.2 DC and AC Zeroing

DC zeroing is accomplished by connecting the offset adjust pin to the wiper of a 1-k Ω potentiometer, which has one end tied to V+ and the other end tied through a resistor to ground. The resistor should be selected to give approximately 0.6 mA through the 1-k Ω potentiometer.

AC zeroing (hold step zeroing) can be obtained by adding an inverter with the adjustment pot tied input to output. A 10-pF capacitor from the wiper to the hold capacitor will give ± 4 -mV hold step adjustment with a 0.01- μ F hold capacitor and 5-V logic supply. For larger logic swings, a smaller capacitor (< 10 pF) may be used.

9.1.3 Logic Rise Time

Slower signals will cause excessive hold step. If a R/C network is used in front of the logic input for signal delay, calculate the slope of the waveform at the threshold point to ensure that it is at least 1.0 V/ μ s.

9.1.4 Sampling Dynamic Signals

Sample error to moving input signals probably causes more confusion among sample-and-hold users than any other parameter. The primary reason for this is that many users make the assumption that the sample and hold amplifier is truly locked on to the input signal while in the sample mode. In actuality, there are finite phase delays through the circuit creating an input-output differential for fast moving signals. In addition, although the output may have settled, the hold capacitor has an additional lag due to the 300- Ω series resistor on the chip. This means that at the moment the *hold* command arrives, the hold capacitor voltage may be somewhat different than the actual analog input. The effect of these delays is opposite to the effect created by delays in the logic which switches the circuit from sample to hold. For example, consider an analog input of 20 V_{p-p} at 10 kHz. Maximum dV/dt is 0.6 V/ μ s. With no analog phase delay and 100-ns logic delay, one could expect up to (0.1 μ s) (0.6V/ μ s) = 60 mV error if the hold signal arrived near maximum dV/dt of the input. A positive-going input would give a 60-mV error. Now assume a 1-MHz (3-dB) bandwidth for the overall analog loop. This generates a phase delay of 160 ns. If the hold capacitor sees this exact delay, then error due to analog delay will be (0.16 μ s) (0.6 V/ μ s) = -96 mV. Total output error is 60 mV (digital) -96 mV (analog) for a total of -36 mV. To add to the confusion, analog delay is proportioned to hold capacitor value while digital delay remains constant. A family of curves (dynamic sampling error) is included to help estimate errors.

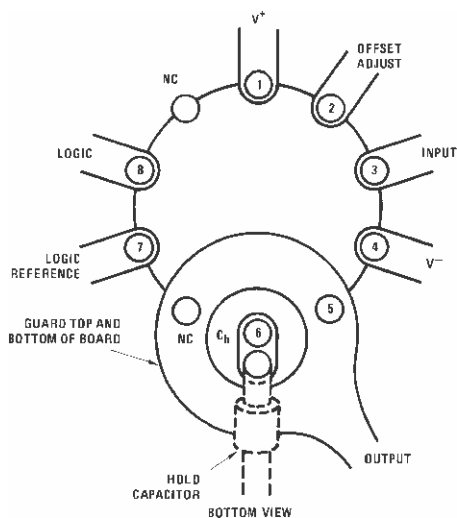
Application Information (continued)

Figure 1 has been included for sampling conditions where the input is steady during the sampling period, but may experience a sudden change nearly coincident with the hold command. This curve is based on a 1-mV error fed into the output.

Figure 6 indicates the time required for the output to settle to 1 mV after the hold command.

9.1.5 Digital Feedthrough

Fast rise time logic signals can cause hold errors by feeding externally into the analog input at the same time the amplifier is put into the hold mode. To minimize this problem, board layout should keep logic lines as far as possible from the analog input and the C_h pin. Grounded guarding traces may also be used around the input line, especially if it is driven from a high impedance source. Reducing high amplitude logic signals to 2.5 V will also help.



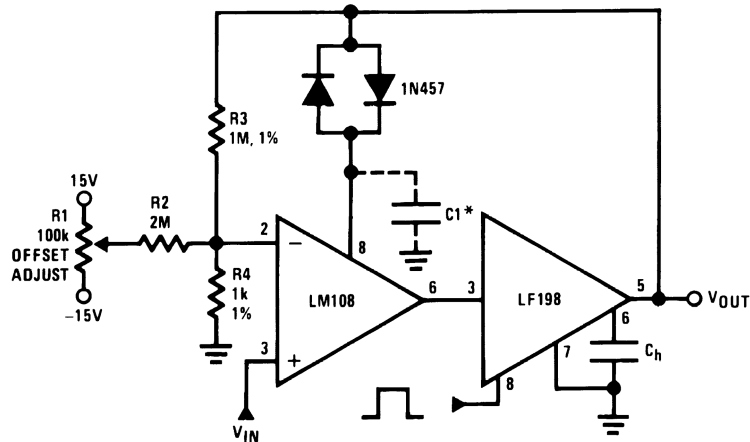
Use 10-pin layout. Guard around C_h is tied to output.

Figure 24. Guarding Technique

9.2 Typical Applications

9.2.1 X1000 Sample and Hold

The circuit configuration in [Figure 25](#) shows how to incorporate an amplification factor of 1000 into the sample and hold stage. This may be particularly useful if the input signal has a very low amplitude. [Equation 1](#) provides the appropriate value of capacitance for the COMP 2 pin capacitance of the LM108.



*For lower gains, the LM108 must be frequency compensated

Figure 25. X1000 Sample and Hold

$$\text{Use } \approx \frac{100}{A_V} \text{ pF from comp 2 to ground} \quad (1)$$

9.2.1.1 Design Requirements

Assume an unbuffered analog to digital converter with 1-V_{pp} dynamic range is used in a system which needs to sample an input signal with only 1-mV_{pp} amplitude. Using the LF298-MIL and LM108, connect the input signal so that the maximum dynamic range is used by the 1-V_{pp} data converter.

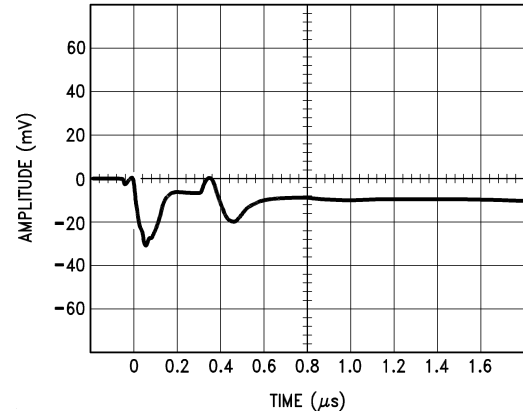
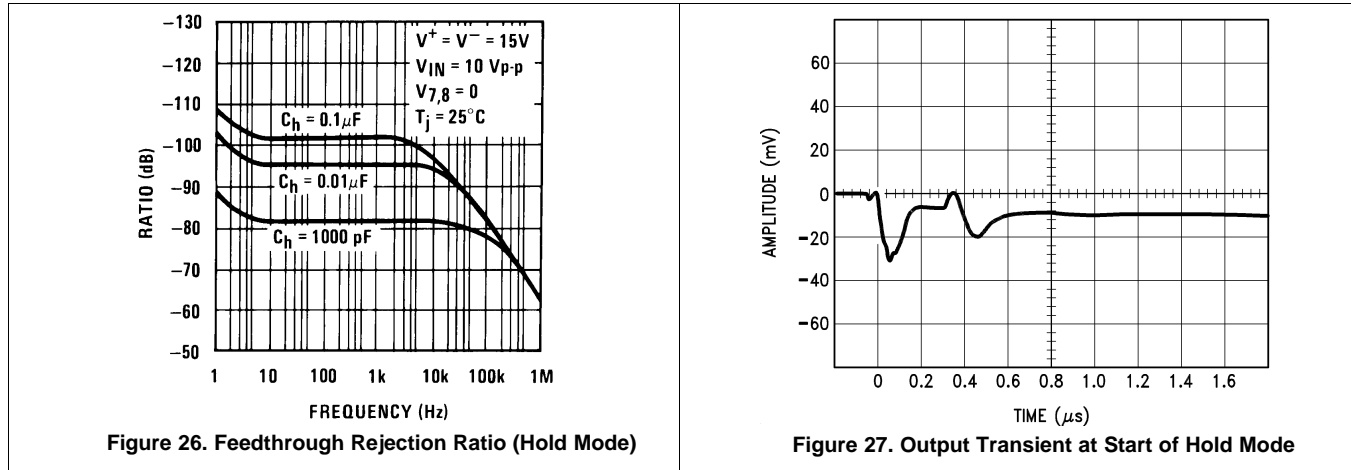
9.2.1.2 Detailed Design Procedure

Connect the LF298-MIL and LM108 as shown in [Figure 25](#). To maximize the dynamic range of 1 V_{pp} a gain factor of 1000x is needed. Set R3 to 1 MΩ and R4 to 1 kΩ to give a noninverting gain of 1001. The calculated value of C1 is 0.1 pF according to [Equation 1](#), which is negligibly small and may be left off of the design.

Typical Applications (continued)

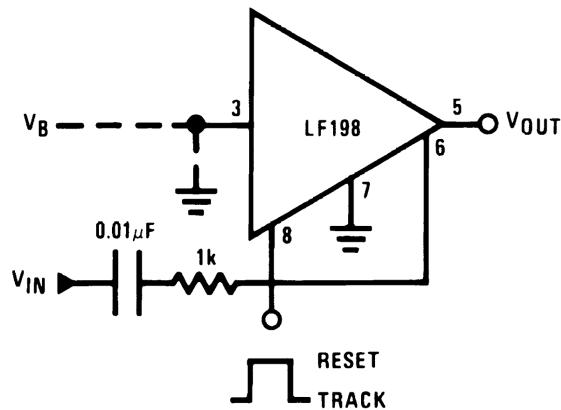
9.2.1.3 Application Curves

The feedthrough rejection ratio of the LF298-MIL is extremely good and provides good isolation for a wide variety of hold capacitors as Figure 26 shows. Additionally, the output transient settles almost completely after 0.8 μs and would be ready to sample as shown in Figure 27.



9.2.2 Sample and Difference Circuit

The LF298-MIL may be used as a sample and difference circuit as shown in Figure 28 where the output follows the input in hold mode.



$$V_{OUT} = V_B + \Delta V_{IN} \text{ (HOLD MODE)}$$

Figure 28. Sample and Difference Circuit

Typical Applications (continued)

9.2.3 Ramp Generator With Variable Reset Level

The circuit configuration shown in [Figure 29](#) generates a ramp signal with variable reset level. The rise or fall time may be computed by [Equation 2](#).

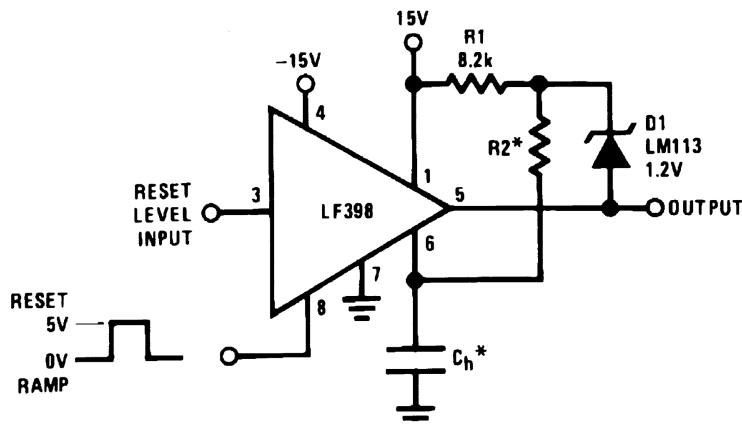


Figure 29. Ramp Generator With Variable Reset Level

$$\frac{\Delta V}{\Delta T} = \frac{1.2V}{(R2)(C_h)} \quad (2)$$

9.2.4 Integrator With Programmable Reset Level

The LF298-MIL may be used with LM308 to create an integrator circuit with programmable reset level as shown in [Figure 30](#). The integrated output voltage in hold mode is computed with [Equation 3](#).

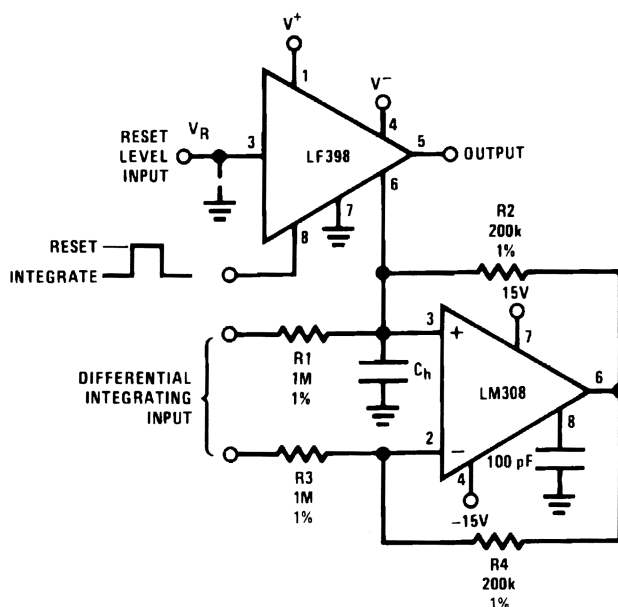


Figure 30. Integrator With Programmable Reset Level

$$V_{OUT} \text{ (Hold Mode)} = \left[\frac{1}{(R1)(C_h)} \int_0^t V_{IN} dt \right] + [V_R] \quad (3)$$

Typical Applications (continued)

9.2.5 Output Holds at Average of Sampled Input

The LF298-MIL can be used to identify the average value of the input signal and hold the corresponding voltage on the output. Connect R_h and C_h as shown in [Figure 31](#). The corresponding values may be calculated with [Equation 4](#).

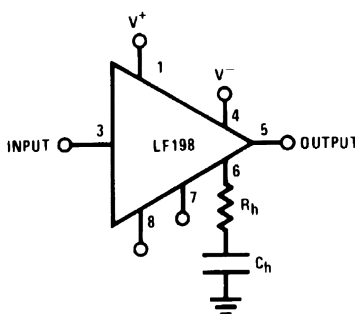


Figure 31. Output Holds at Average of Sampled Input

$$\text{Select } (R_h)(C_h) \gg \frac{1}{2\pi f_{IN}(\text{Min})} \quad (4)$$

9.2.6 Increased Slew Current

The slew current can be increased by connecting opposing diodes from the OUTPUT to the HOLD CAPACITOR pins as shown in [Figure 32](#).

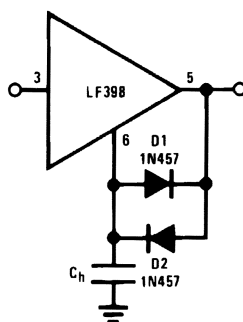
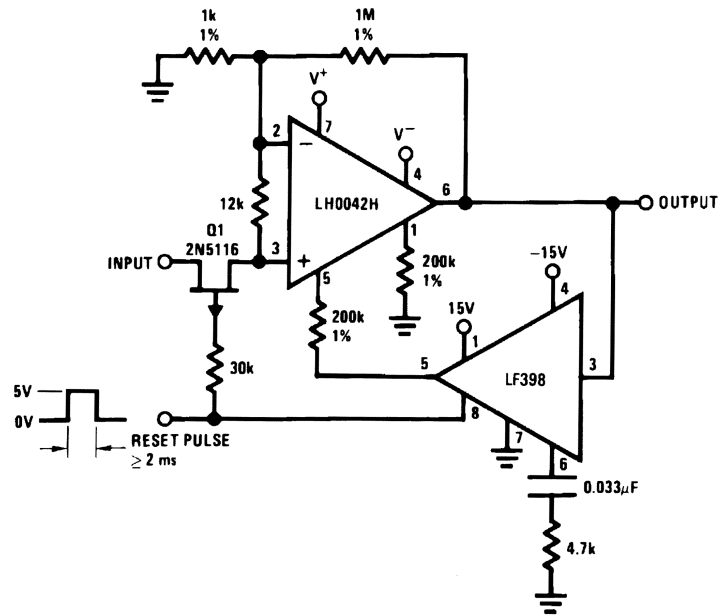


Figure 32. Increased Slew Current

Typical Applications (continued)

9.2.7 Reset Stabilized Amplifier

The LF298-MIL may be used with LH0042H to create a reset stabilized amplifier with a gain of 1000 as shown in Figure 33.



$$V_{OS} \leq 20 \mu\text{V (No trim)}$$

$$Z_{IN} \approx 1 \text{ M}\Omega$$

Figure 33. Reset Stabilized Amplifier

$$\frac{\Delta V_{OS}}{\Delta t} \approx 30 \mu\text{V / sec} \tag{5}$$

$$\frac{\Delta V_{OS}}{\Delta T} \approx 0.1 \mu\text{V / }^\circ\text{C} \tag{6}$$

Typical Applications (continued)

9.2.8 Fast Acquisition, Low Droop Sample and Hold

Two LF298-MIL devices may be used along with LM3905 TIMER to create a fast acquisition, low droop sample and hold circuit as shown in [Figure 34](#).

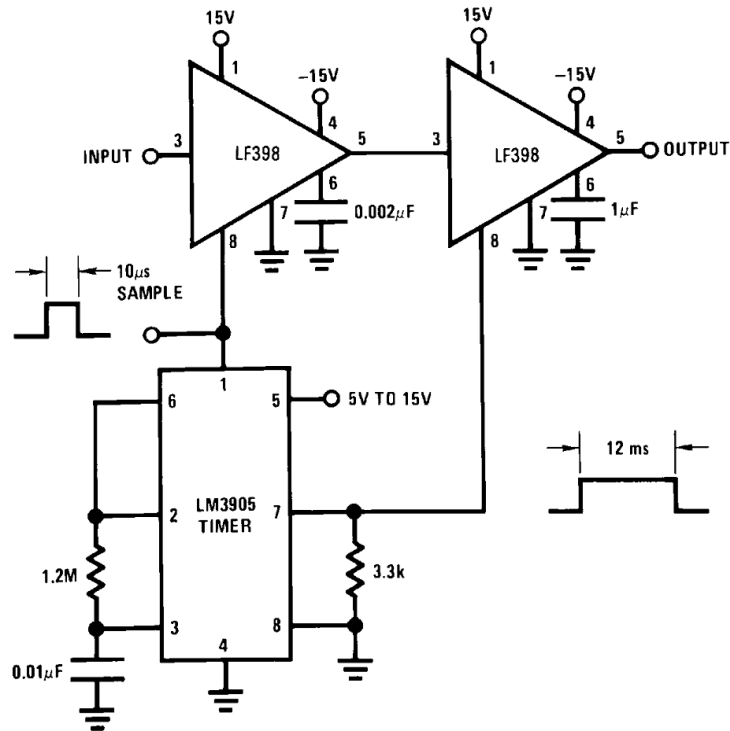


Figure 34. Fast Acquisition, Low Droop Sample and Hold

Typical Applications (continued)

9.2.9 Synchronous Correlator for Recovering Signals Below Noise Level

The LF298-MIL may be used with two LM122H TIMER devices to create a synchronous correlator for recovering signals below noise level as shown in Figure 35.

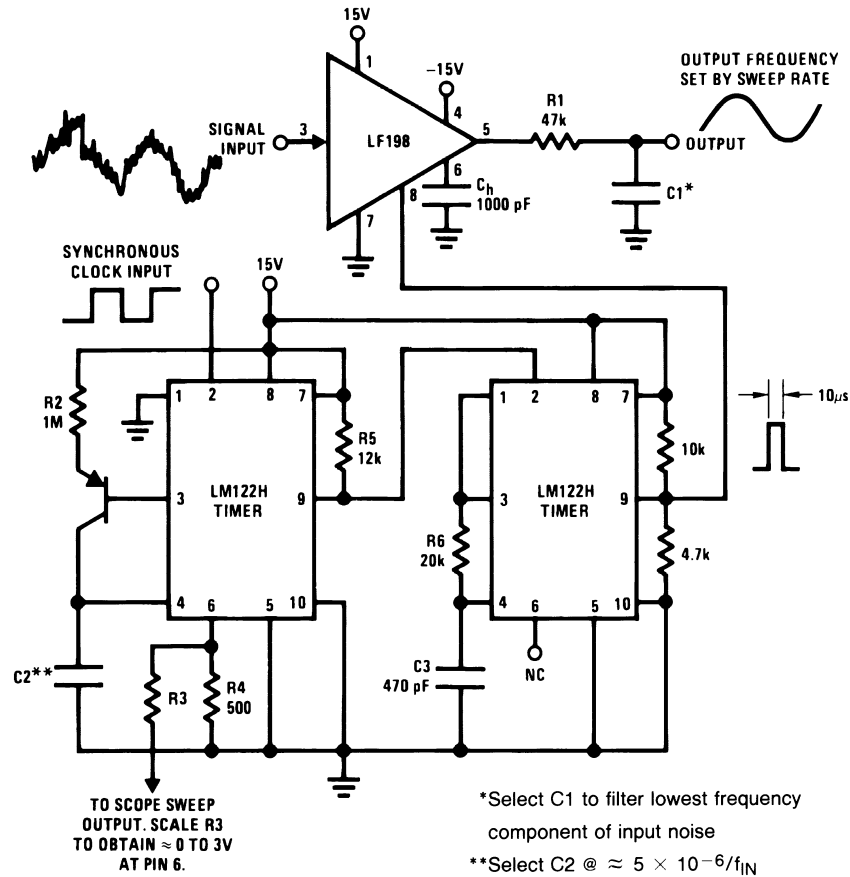


Figure 35. Synchronous Correlator for Recovering Signals Below Noise Level

9.2.10 2-Channel Switch

The HOLD CAPACITOR pin could be alternatively used as a second input to create a 2-channel switch shown Figure 36

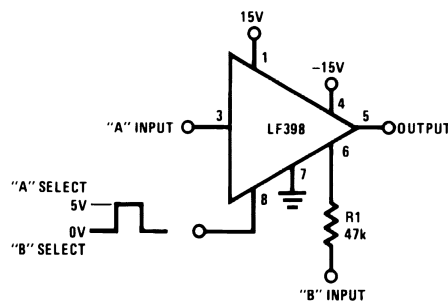


Figure 36. 2-Channel Switch

In the configuration of Figure 36, input signal A and input signal B have the characteristics listed in Table 1.

Typical Applications (continued)

Table 1. 2-Channel Switch Characteristics

	A	B
Gain	$1 \pm 0.02\%$	$1 \pm 0.2\%$
ZIN	$10^{10} \Omega$	47 k Ω
BW	≈ 1 MHz	≈ 400 kHz
Crosstalk at 1 kHz	-90 dB	-90 dB
Offset	≤ 6 mV	≤ 75 mV

9.2.11 DC and AC Zeroing

The LF298-MIL features an OFFSET ADJUST pin which can be connected to a potentiometer to zero the DC offset. Additionally, an inverter may be connected with an AC-coupled potentiometer to the HOLD CAPACITOR pin to create a DC- and AC-zeroing circuit as shown in Figure 37.

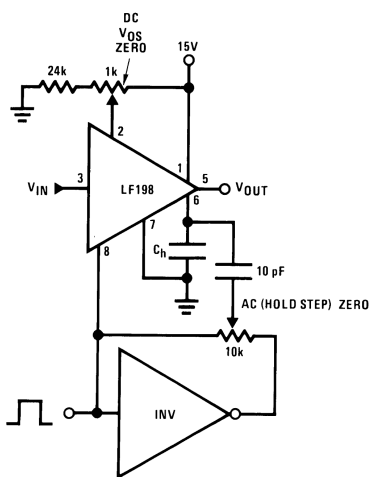
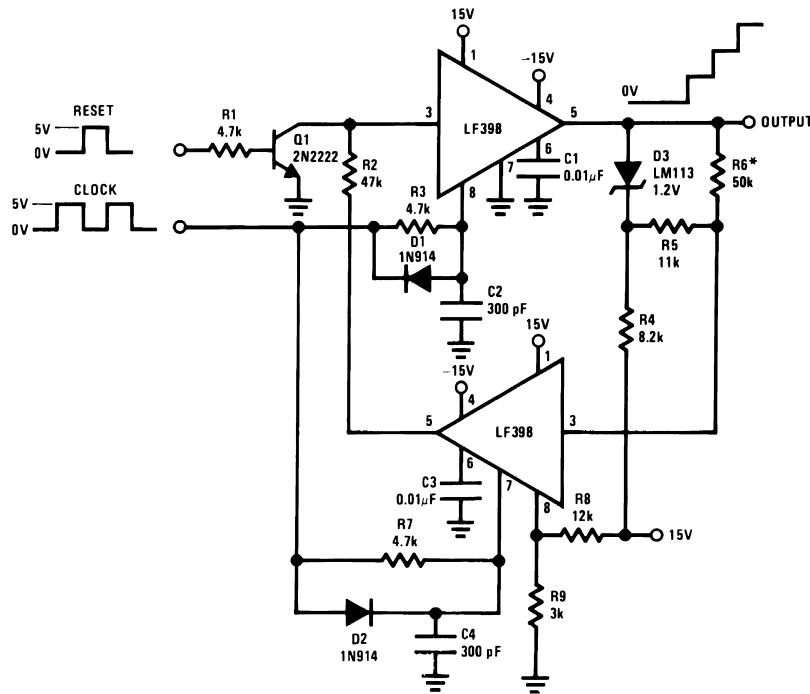


Figure 37. DC and AC Zeroing

9.2.12 Staircase Generator

The LF298-MIL can be connected as shown in [Figure 38](#) to create a staircase generator.



*Select for step height: 50 kΩ → 1-V Step.

Figure 38. Staircase Generator

9.2.13 Differential Hold

Two LF298-MIL devices may be connected as shown in [Figure 39](#) to create a differential hold circuit.

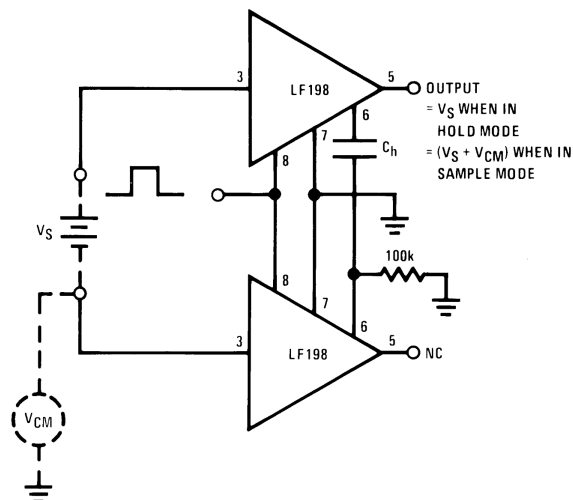
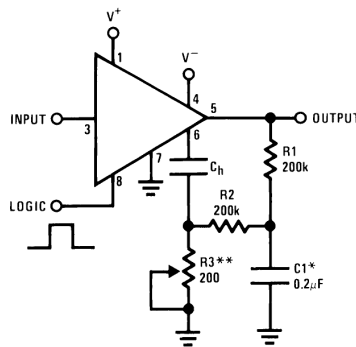


Figure 39. Differential Hold

9.2.14 Capacitor Hysteresis Compensation

The LF298-MIL devices may be used for capacitor hysteresis compensation as shown in [Figure 40](#).



*Select for time constant $C1 = \tau/100 \text{ k}\Omega$

**Adjust for amplitude

Figure 40. Capacitor Hysteresis Compensation

10 Power Supply Recommendations

The LF298-MIL devices are rated for a typical supply voltage of $\pm 15 \text{ V}$. To achieve noise immunity as appropriate to the application, it is important to use good printed-circuit-board layout practices for power supply rails and planes, as well as using bypass capacitors connected between the power supply pins and ground. All bypass capacitors must be rated to handle the supply voltage and be decoupled to ground. TI recommends to decouple each supply with two capacitors; a small value ceramic capacitor (approximately $0.1 \mu\text{F}$) placed close to the supply pin in addition to a large value Tantalum or Ceramic ($\geq 10 \mu\text{F}$). The large capacitor can be shared by more than one device if necessary. The small ceramic capacitor maintains low supply impedance at higher frequencies while the large capacitor will act as the charge bucket for fast load current spikes at the op amp output. The combination of these capacitors will provide supply decoupling and will help maintain stable operation for most loading conditions.

11 Layout

11.1 Layout Guidelines

Take care to minimize the loop area formed by the bypass capacitor connection between supply pins and ground. A ground plane underneath the device is recommended; any bypass components to ground should have a nearby via to the ground plane. The optimum bypass capacitor placement is closest to the corresponding supply pin. Use of thicker traces from the bypass capacitors to the corresponding supply pins will lower the power supply inductance and provide a more stable power supply. The feedback components should be placed as close to the device as possible to minimize stray parasitics.

11.2 Layout Example

Figure 41 shows an example schematic and layout for the LF298-MIL 8-pin PDIP package.

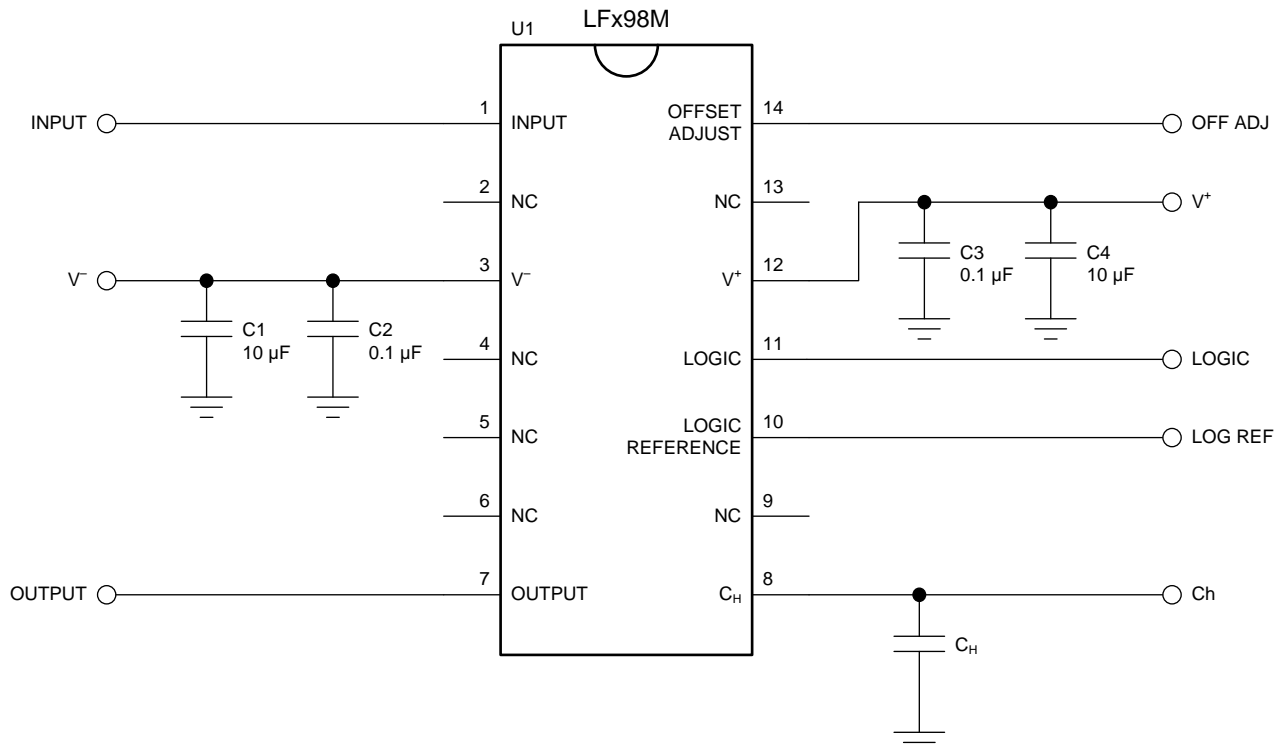


Figure 41. Schematic Example

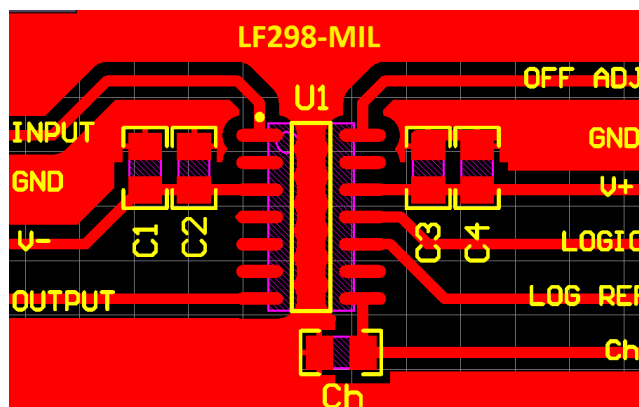


Figure 42. Layout Example

12 Device and Documentation Support

12.1 Device Support

12.1.1 Device Nomenclature

- **Hold Step:** The voltage step at the output of the sample and hold when switching from sample mode to hold mode with a steady (DC) analog input voltage. Logic swing is 5 V.
- **Acquisition Time:** The time required to acquire a new analog input voltage with an output step of 10 V. Acquisition time is not just the time required for the output to settle, but also includes the time required for all internal nodes to settle so that the output assumes the proper value when switched to the hold mode.
- **Gain Error:** The ratio of output voltage swing to input voltage swing in the sample mode expressed as a per cent difference.
- **Hold Settling Time:** The time required for the output to settle within 1 mV of final value after the *hold* logic command.
- **Dynamic Sampling Error:** The error introduced into the held output due to a changing analog input at the time the hold command is given. Error is expressed in mV with a given hold capacitor value and input slew rate. This error term occurs even for long sample times.
- **Aperture Time:** The delay required between *hold* command and an input analog transition, so that the transition does not affect the held output.

12.2 Receiving Notification of Documentation Updates

To receive notification of documentation updates, navigate to the device product folder on ti.com. In the upper right corner, click on *Alert me* to register and receive a weekly digest of any product information that has changed. For change details, review the revision history included in any revised document.

12.3 Community Resources

The following links connect to TI community resources. Linked contents are provided "AS IS" by the respective contributors. They do not constitute TI specifications and do not necessarily reflect TI's views; see TI's [Terms of Use](#).

TI E2E™ Online Community *TI's Engineer-to-Engineer (E2E) Community*. Created to foster collaboration among engineers. At e2e.ti.com, you can ask questions, share knowledge, explore ideas and help solve problems with fellow engineers.

Design Support *TI's Design Support* Quickly find helpful E2E forums along with design support tools and contact information for technical support.

12.4 Trademarks

E2E is a trademark of Texas Instruments.
All other trademarks are the property of their respective owners.

12.5 Electrostatic Discharge Caution



These devices have limited built-in ESD protection. The leads should be shorted together or the device placed in conductive foam during storage or handling to prevent electrostatic damage to the MOS gates.

12.6 Glossary

SLYZ022 — *TI Glossary*.

This glossary lists and explains terms, acronyms, and definitions.

13 Mechanical, Packaging, and Orderable Information

The following pages include mechanical, packaging, and orderable information. This information is the most current data available for the designated devices. This data is subject to change without notice and revision of this document. For browser-based versions of this data sheet, refer to the left-hand navigation.

PACKAGING INFORMATION

Orderable Device	Status (1)	Package Type	Package Drawing	Pins	Package Qty	Eco Plan (2)	Lead/Ball Finish (6)	MSL Peak Temp (3)	Op Temp (°C)	Device Marking (4/5)	Samples
LF298H	ACTIVE	TO-99	LMC	8	500	TBD	Call TI	Call TI	0 to 0	(LF298H, LF298H)	Samples
LF298H/NOPB	ACTIVE	TO-99	LMC	8	500	Green (RoHS & no Sb/Br)	Call TI	Level-1-NA-UNLIM	0 to 0	(LF298H, LF298H)	Samples

(1) The marketing status values are defined as follows:

ACTIVE: Product device recommended for new designs.

LIFEBUY: TI has announced that the device will be discontinued, and a lifetime-buy period is in effect.

NRND: Not recommended for new designs. Device is in production to support existing customers, but TI does not recommend using this part in a new design.

PREVIEW: Device has been announced but is not in production. Samples may or may not be available.

OBSOLETE: TI has discontinued the production of the device.

(2) **RoHS:** TI defines "RoHS" to mean semiconductor products that are compliant with the current EU RoHS requirements for all 10 RoHS substances, including the requirement that RoHS substance do not exceed 0.1% by weight in homogeneous materials. Where designed to be soldered at high temperatures, "RoHS" products are suitable for use in specified lead-free processes. TI may reference these types of products as "Pb-Free".

RoHS Exempt: TI defines "RoHS Exempt" to mean products that contain lead but are compliant with EU RoHS pursuant to a specific EU RoHS exemption.

Green: TI defines "Green" to mean the content of Chlorine (Cl) and Bromine (Br) based flame retardants meet JS709B low halogen requirements of <=1000ppm threshold. Antimony trioxide based flame retardants must also meet the <=1000ppm threshold requirement.

(3) MSL, Peak Temp. - The Moisture Sensitivity Level rating according to the JEDEC industry standard classifications, and peak solder temperature.

(4) There may be additional marking, which relates to the logo, the lot trace code information, or the environmental category on the device.

(5) Multiple Device Markings will be inside parentheses. Only one Device Marking contained in parentheses and separated by a "~" will appear on a device. If a line is indented then it is a continuation of the previous line and the two combined represent the entire Device Marking for that device.

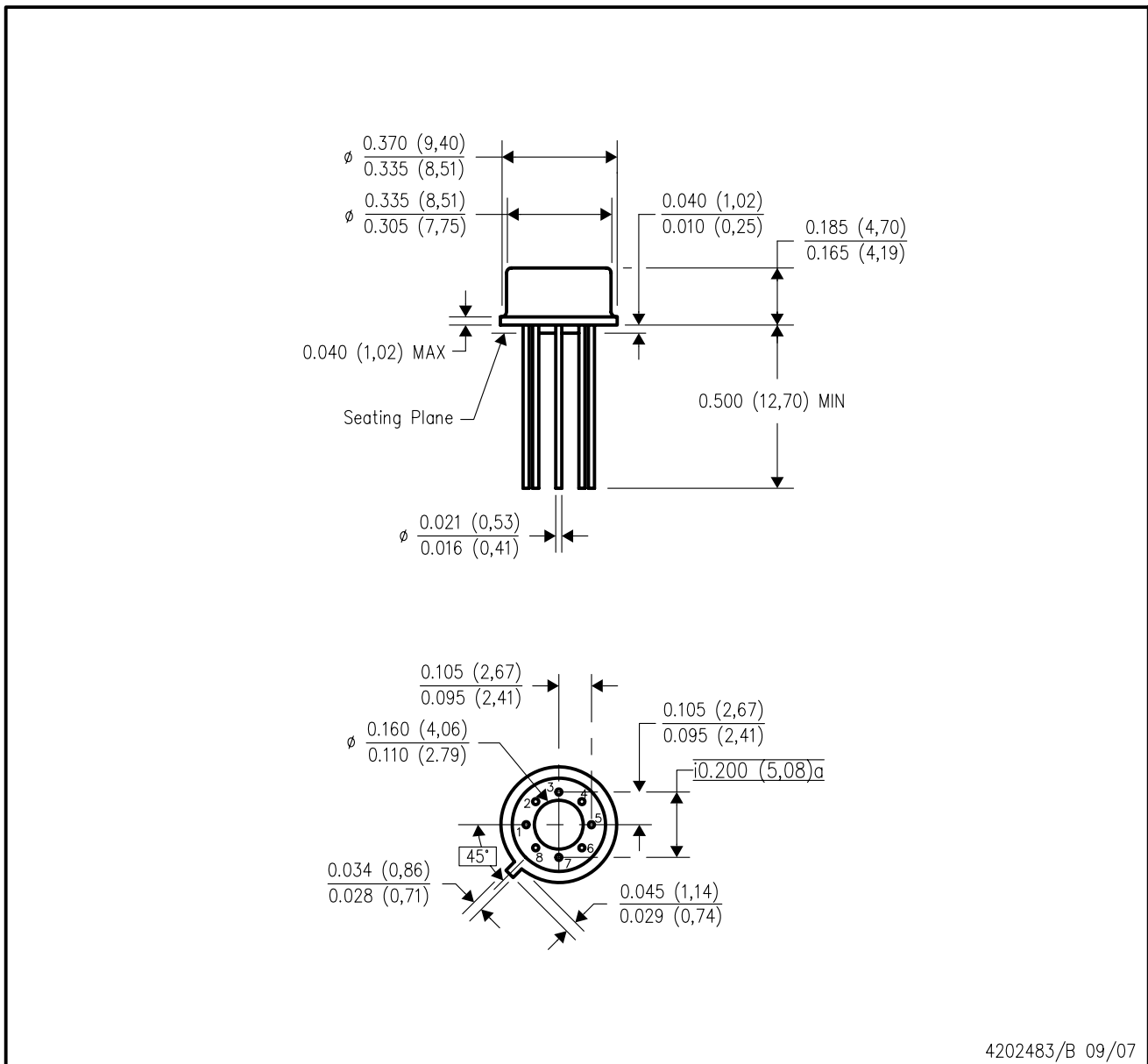
(6) Lead/Ball Finish - Orderable Devices may have multiple material finish options. Finish options are separated by a vertical ruled line. Lead/Ball Finish values may wrap to two lines if the finish value exceeds the maximum column width.

Important Information and Disclaimer:The information provided on this page represents TI's knowledge and belief as of the date that it is provided. TI bases its knowledge and belief on information provided by third parties, and makes no representation or warranty as to the accuracy of such information. Efforts are underway to better integrate information from third parties. TI has taken and continues to take reasonable steps to provide representative and accurate information but may not have conducted destructive testing or chemical analysis on incoming materials and chemicals. TI and TI suppliers consider certain information to be proprietary, and thus CAS numbers and other limited information may not be available for release.

In no event shall TI's liability arising out of such information exceed the total purchase price of the TI part(s) at issue in this document sold by TI to Customer on an annual basis.

LMC (O-MBCY-W8)

METAL CYLINDRICAL PACKAGE



4202483/B 09/07

- NOTES:
- A. All linear dimensions are in inches (millimeters).
 - B. This drawing is subject to change without notice.
 - C. Leads in true position within 0.010 (0,25) R @ MMC at seating plane.
 - D. Pin numbers shown for reference only. Numbers may not be marked on package.
 - E. Falls within JEDEC MO-002/TO-99.

IMPORTANT NOTICE AND DISCLAIMER

TI PROVIDES TECHNICAL AND RELIABILITY DATA (INCLUDING DATASHEETS), DESIGN RESOURCES (INCLUDING REFERENCE DESIGNS), APPLICATION OR OTHER DESIGN ADVICE, WEB TOOLS, SAFETY INFORMATION, AND OTHER RESOURCES "AS IS" AND WITH ALL FAULTS, AND DISCLAIMS ALL WARRANTIES, EXPRESS AND IMPLIED, INCLUDING WITHOUT LIMITATION ANY IMPLIED WARRANTIES OF MERCHANTABILITY, FITNESS FOR A PARTICULAR PURPOSE OR NON-INFRINGEMENT OF THIRD PARTY INTELLECTUAL PROPERTY RIGHTS.

These resources are intended for skilled developers designing with TI products. You are solely responsible for (1) selecting the appropriate TI products for your application, (2) designing, validating and testing your application, and (3) ensuring your application meets applicable standards, and any other safety, security, or other requirements. These resources are subject to change without notice. TI grants you permission to use these resources only for development of an application that uses the TI products described in the resource. Other reproduction and display of these resources is prohibited. No license is granted to any other TI intellectual property right or to any third party intellectual property right. TI disclaims responsibility for, and you will fully indemnify TI and its representatives against, any claims, damages, costs, losses, and liabilities arising out of your use of these resources.

TI's products are provided subject to TI's Terms of Sale (www.ti.com/legal/termsofsale.html) or other applicable terms available either on ti.com or provided in conjunction with such TI products. TI's provision of these resources does not expand or otherwise alter TI's applicable warranties or warranty disclaimers for TI products.

Mailing Address: Texas Instruments, Post Office Box 655303, Dallas, Texas 75265
Copyright © 2019, Texas Instruments Incorporated