

SN74ALS819, SN74ALS29818 8-BIT DIAGNOSTICS/PIPELINE REGISTERS

SDAS105A – JANUARY 1986 – REVISED OCTOBER 1986

- High-Speed 8-Bit Parallel Pipeline Register
- Serial Shadow Register With Right-Shift Only
- 'ALS29818 Performs Parallel-to-Serial and Serial-to-Parallel Conversion
- Designed Specifically for Use in Applications Such As:
 - Write Control Store ('ALS29818)
 - Serial Shadow-Register Diagnostics
- 'ALS819 Provides Even-Parity Output
- Low Power Dissipation . . . 215 mW Typical
- 'ALS29818 is Functionally Equivalent to AMD AM29818
- Package Options include Plastic Small Outline Packages, Standard Plastic DIPs, and Plastic Chip Carriers

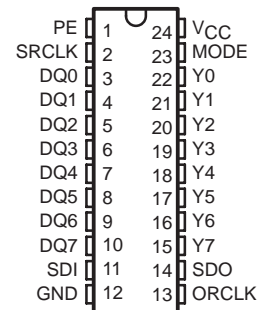
description

The SN74ALS819 and SN74ALS29818 are 8-bit pipeline registers each with an on-chip shadow register. They are for use in applications such as write control store and shadow register diagnostics.

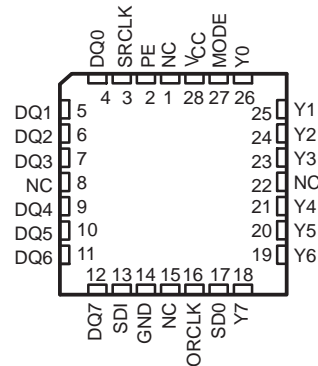
The output registers of the 'ALS819 and 'ALS29818 are loaded in parallel from either the I/O port (DQ0–DQ7) or the shadow register. The shadow register of the 'ALS29818A 8 can be loaded serially or from either the I/O port (Y0–Y7) or the pipeline register. The 'ALS819 shadow register can be loaded serially or from the I/O port (DQ0–DQ7). In addition, the 'ALS819 provides a Parity-Even (PE) output, which monitors parity of the output register. Operation of these devices is controlled by the Mode and SDI inputs as shown in the function table.

The SN74ALS819 and SN74ALS29818 are characterized for operation from 0°C to 70°C.

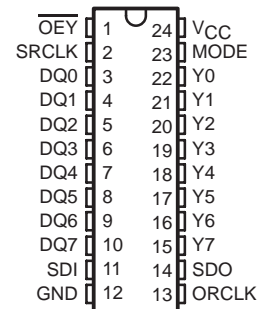
SN74ALS819 . . . DW OR JT PACKAGE
(TOP VIEW)



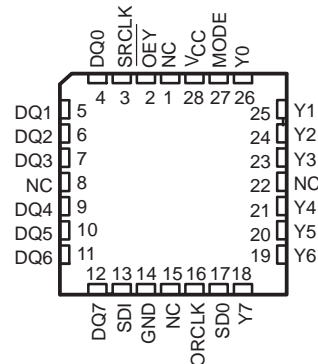
SN74ALS819 . . . FN PACKAGE
(TOP VIEW)



SN74ALS29818 . . . DW OR NT PACKAGE
(TOP VIEW)



SN74ALS29818 . . . FN PACKAGE
(TOP VIEW)



NC – No internal connection

PRODUCTION DATA information is current as of publication date. Products conform to specifications per the terms of Texas Instruments standard warranty. Production processing does not necessarily include testing of all parameters.



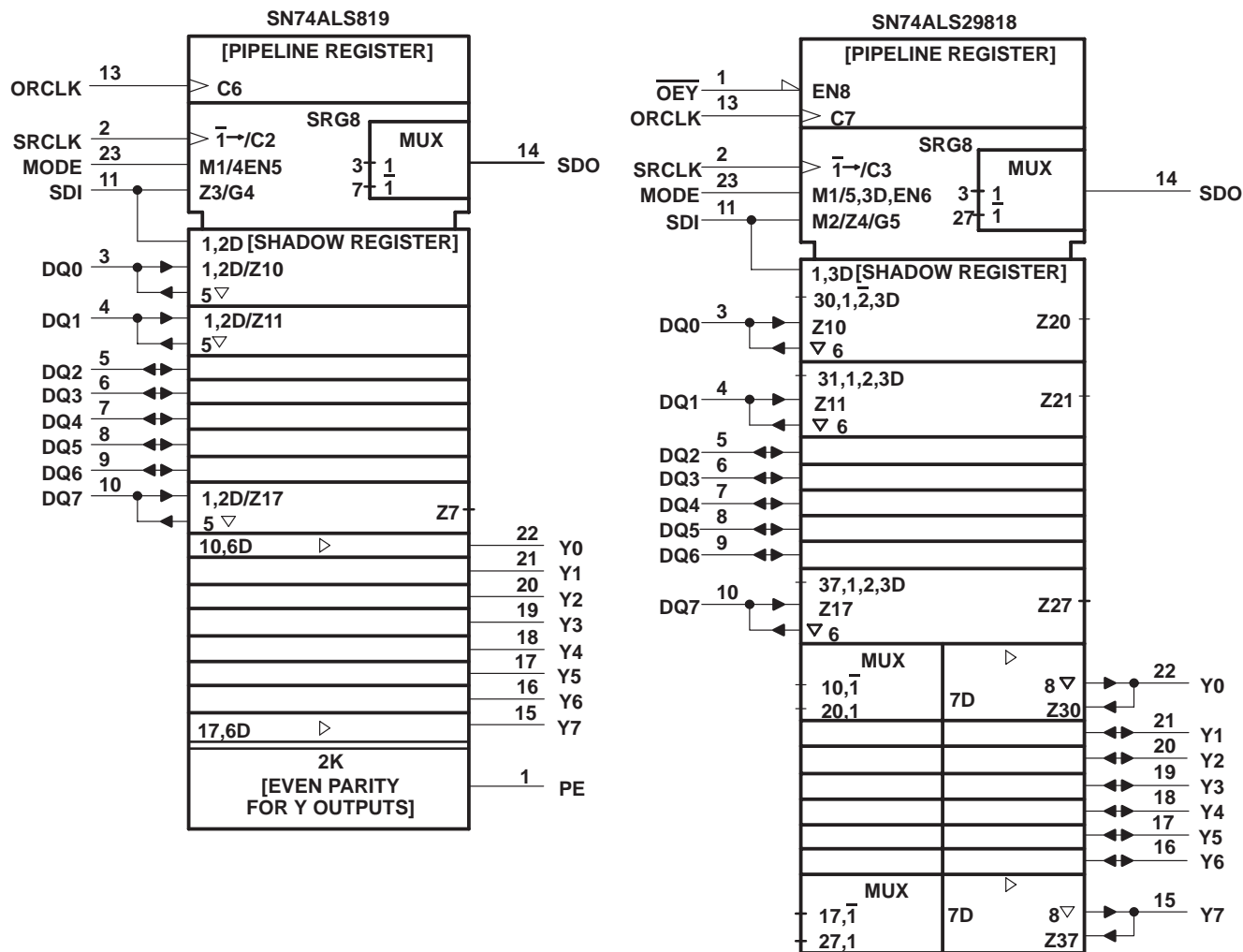
POST OFFICE BOX 655303 • DALLAS, TEXAS 75265
POST OFFICE BOX 1443 • HOUSTON, TEXAS 77001

Copyright © 1986, Texas Instruments Incorporated

SN74ALS819, SN74ALS29818 8-BIT DIAGNOSTICS/PIPELINE REGISTERS

SDAS105A – JANUARY 1986 – REVISED OCTOBER 1986

logic symbols†

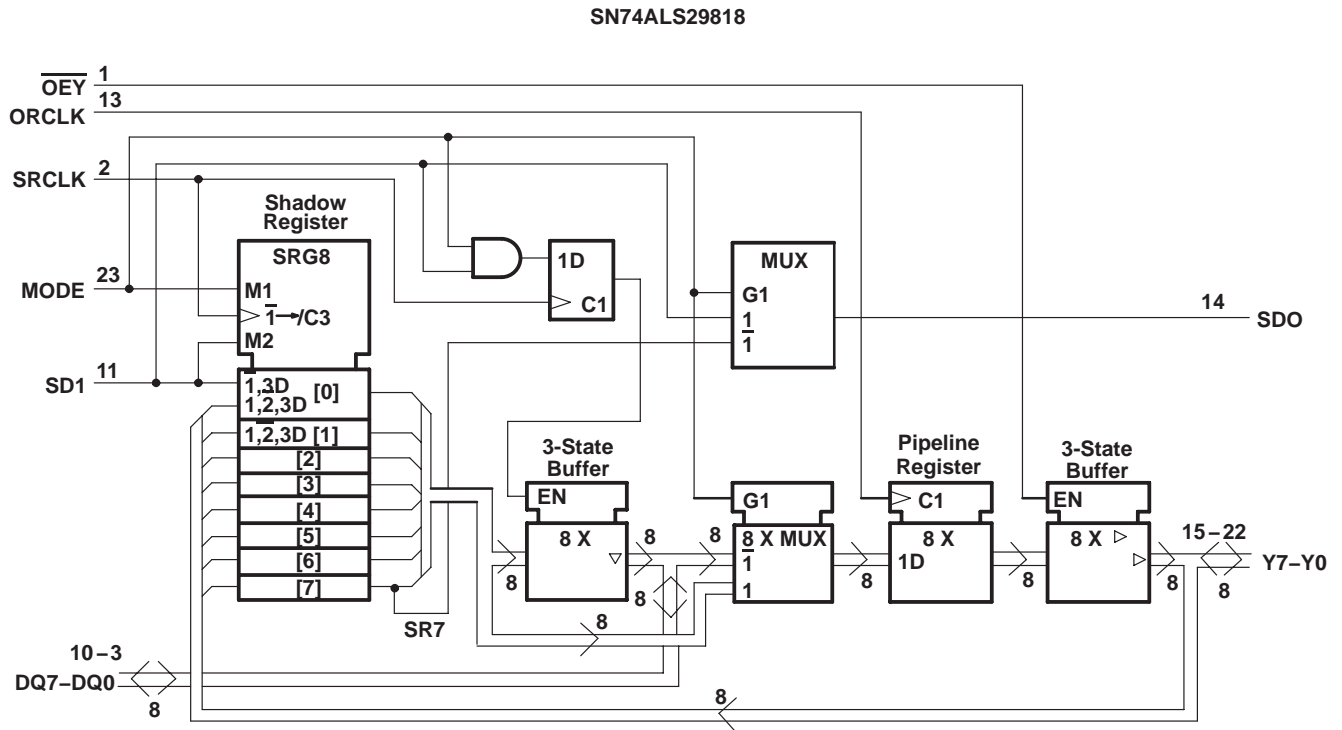
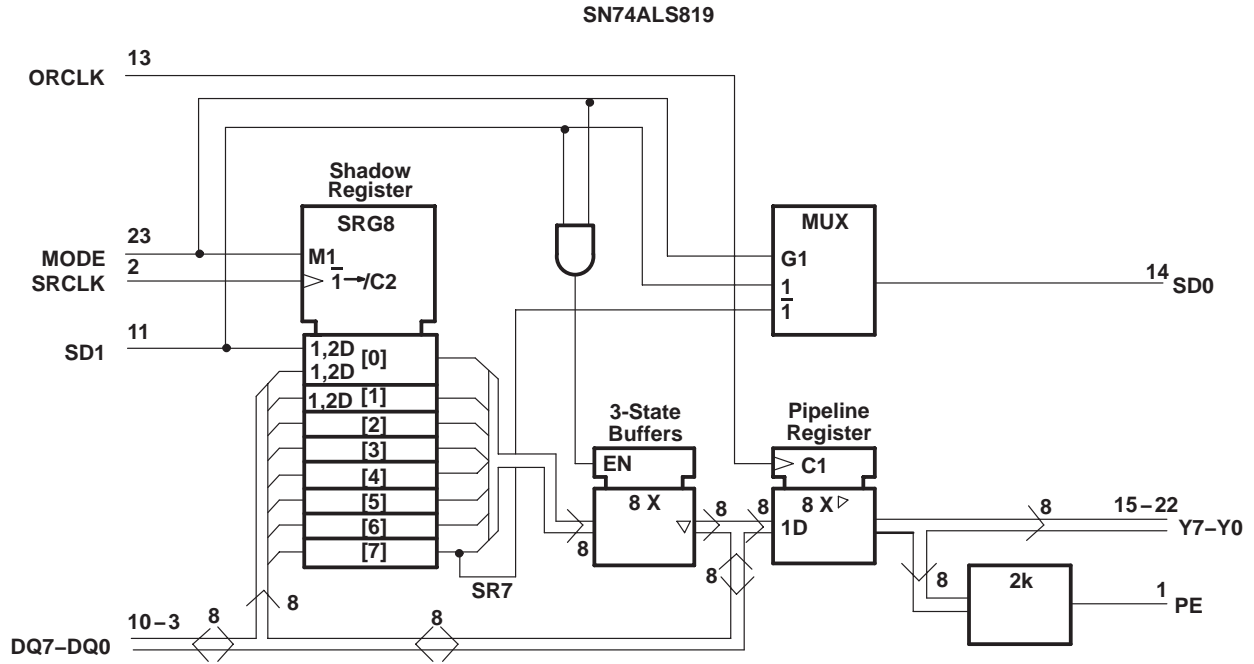


† These symbols are in accordance with ANSI/IEEE Std 91-1984 and IEC Publication 617-12. Pin numbers shown are for DW and NT packages.

SN74ALS819, SN74ALS29818 8-BIT DIAGNOSTICS/PIPELINE REGISTERS

SDAS105A – JANUARY 1986 – REVISED OCTOBER 1986

logic diagrams (positive logic)



Pin numbers shown are for DW and NT packages.

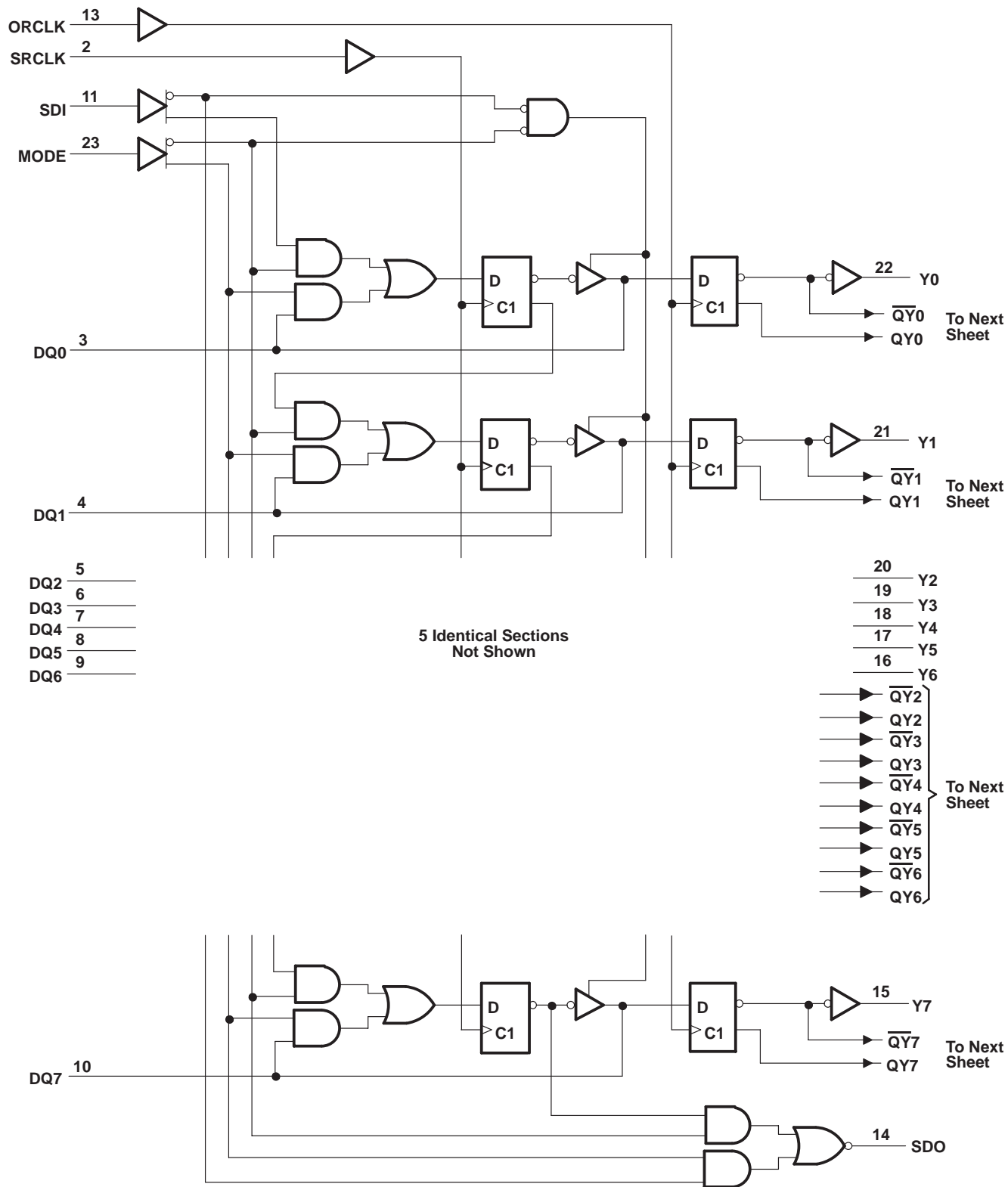


SN74ALS819

8-BIT DIAGNOSTICS/PIPELINE REGISTERS

SDAS105A – JANUARY 1986 – REVISED OCTOBER 1986

SN74ALS819 gate-level logic diagram (positive logic)

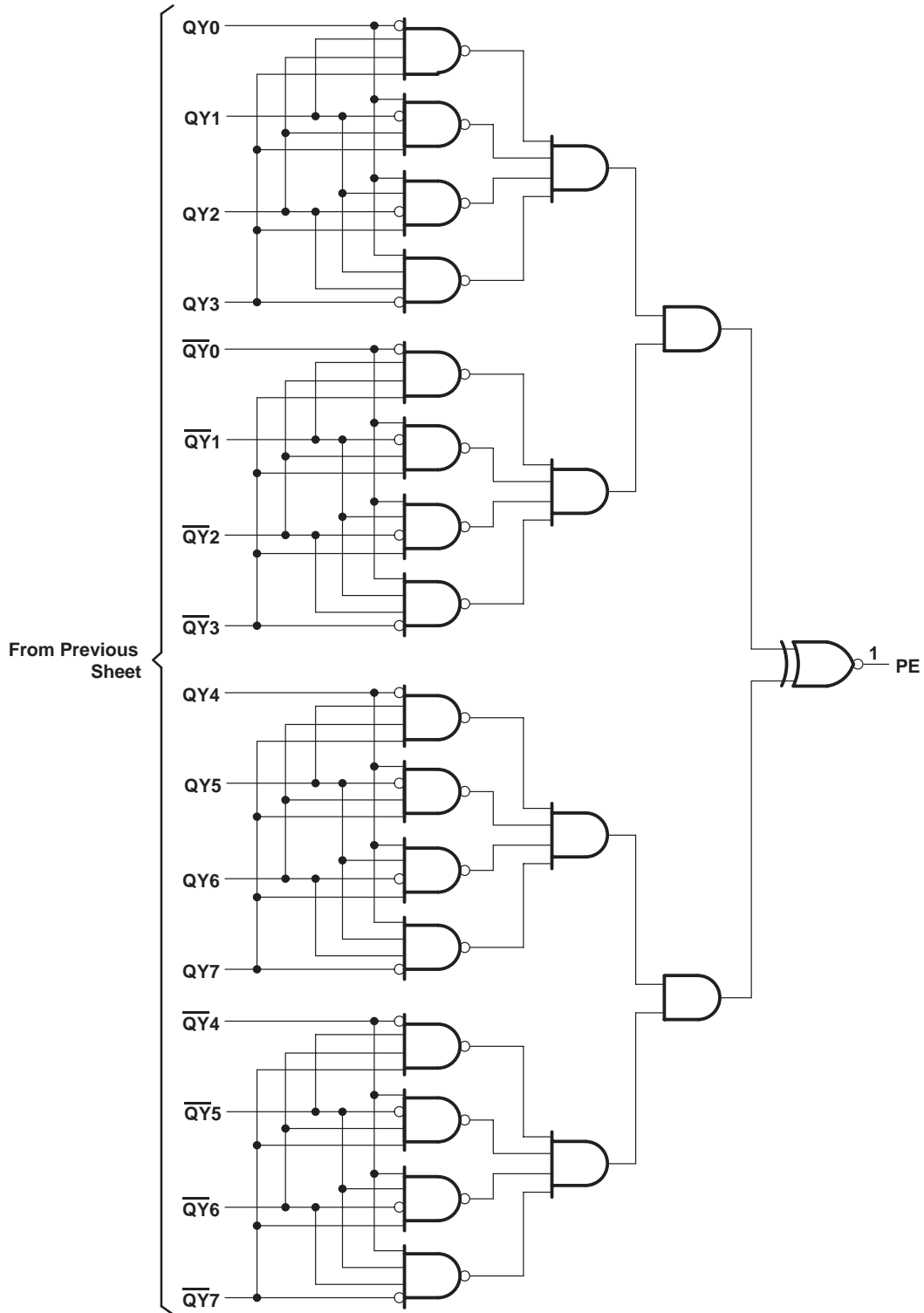


Pin numbers shown are for DW and NT packages.



POST OFFICE BOX 655303 • DALLAS, TEXAS 75265
POST OFFICE BOX 1443 • HOUSTON, TEXAS 77001

SN74ALS819 gate-level logic diagram (positive logic) (continued)

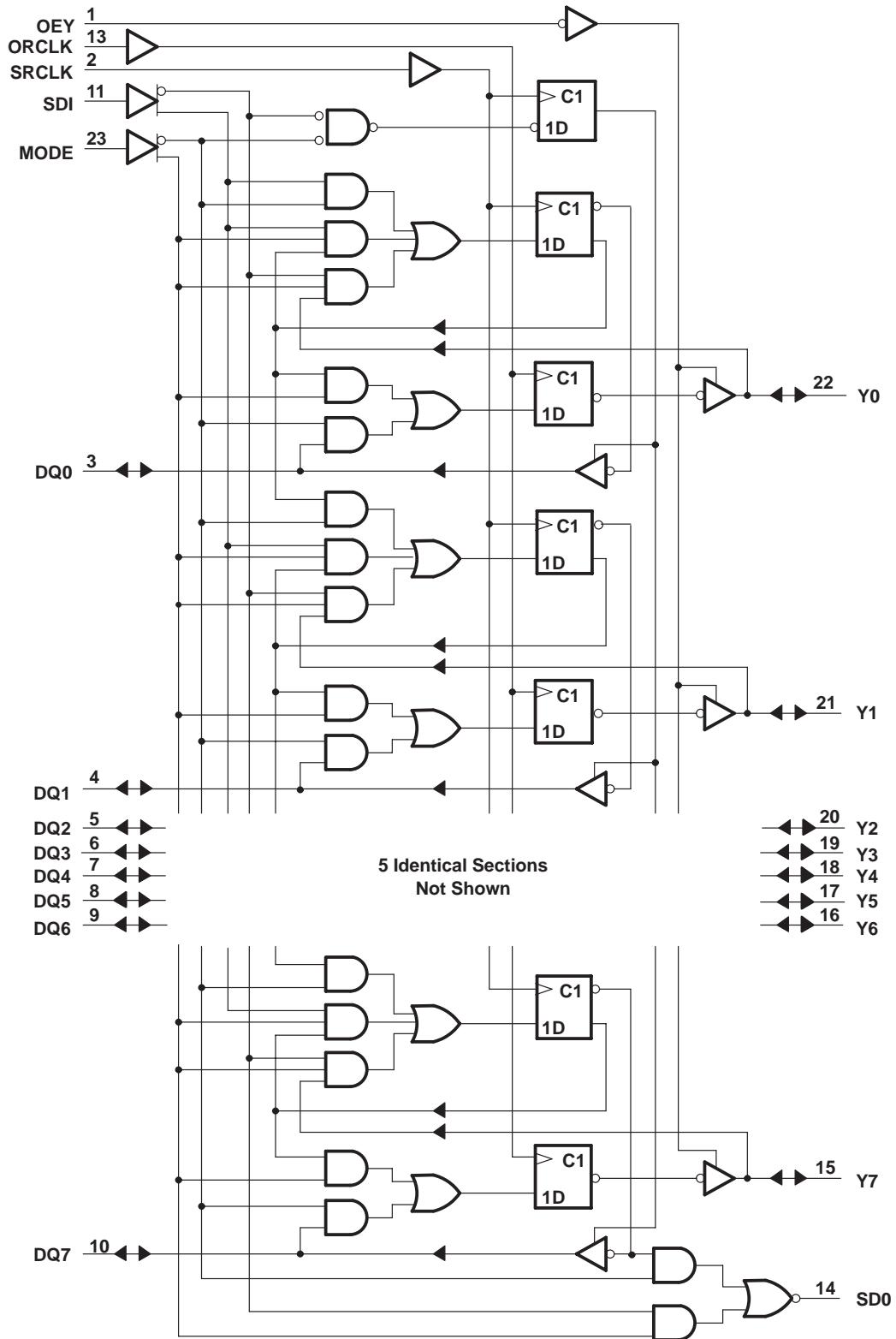


Pin numbers shown are for DW and NT packages.

SN74ALS29818 8-BIT DIAGNOSTICS/PIPELINE REGISTERS

SDAS105A – JANUARY 1986 – REVISED OCTOBER 1986

SN74ALS29818 gate-level logic diagram (positive logic)



Pin numbers shown are for DW and NT packages.



POST OFFICE BOX 655303 • DALLAS, TEXAS 75265
POST OFFICE BOX 1443 • HOUSTON, TEXAS 77001

SN74ALS819, SN74ALS29818 8-BIT DIAGNOSTICS/PIPELINE REGISTERS

SDAS105A – JANUARY 1986 – REVISED OCTOBER 1986

Function Tables
SN74ALS819

INPUTS				OUTPUT AND I/O			OPERATION OR FUNCTION
MODE	SDI	SRCLK	ORCLK	SDO	Y0–Y7 PE	DQ0–DQ7	
L	X	↑	X	SR7	OUTPUT	HI-Z	Serial input, shift right
H	L	↑	X	SDI (L)	OUTPUT	INPUT	Parallel load shadow register from DQ0–DQ7
H	L	↑	↑	SDI (L)	OUTPUT	INPUT	Parallel load shadow register and pipeline register from DQ0–DQ7
L X	X L	X X	↑ ↑	SR7 –	OUTPUT	INPUT	Load pipeline register from DQ0–DQ7
L	X	↑	↑	SR7	OUTPUT	INPUT	Load pipeline register from DQ0–DQ7 while shifting shadow register
H	H	No↑	↑	SDI (H)	OUTPUT	OUTPUT	Load pipeline register from shadow register
H	X	X	X	SDI	OUTPUT	–	Serial data in to serial data out
H	H	X	X	SDI (H)	OUTPUT	OUTPUT HOLD	Hold shadow register, enable DQ0–DQ7, transitions on SRCLK ignored
L X	X L	X X	X X	SR7 –	OUTPUT	HI-Z	Disable DQ0–DQ7 outputs

SN74ALS29818

INPUTS					OUTPUT AND I/O			OPERATION OR FUNCTION
MODE	OEY	SDI	SRCLK	ORCLK	SDO	Y0–Y7	DQ0–DQ7	
L	X	X	↑	X	SR7	–	HI-Z	Serial input, shift right, disable DQ0–DQ7
H	H	L	↑	X	SDI (L)	INPUT	HI-Z	Parallel load shadow register from Y0–Y7, disable DQ0–DQ7
H	L	L	↑	No↑	SDI (L)	OUTPUT	HI-Z	Parallel load shadow register from pipeline register, disable DQ0–DQ7
L	X	X	X	↑	SR7	–	INPUT†	Load pipeline register from DQ0–DQ7
L	X	X	↑	↑	SR7	–	INPUT†	Load pipeline register from DQ0–DQ7 while shifting shadow register
H	X	X	No↑	↑	SDI	–	–	Load pipeline register from shadow register
H	X	X	X	X	SDI	–	–	Serial data in to serial data out
H	L	L	↑	↑	SDI (L)	OUTPUT	HI-Z	Exchange data between registers, DQ0–DQ7 disabled
H	X	H	X	X	SDI (H)	–	–	Hold shadow register, transitions on SRCLK do not effect shadow register
H	X	H	↑	X	SDI (H)	–	OUTPUT	Enable DQ0–DQ7 for parallel shadow register output

† The DQ0–DQ7 outputs must be disabled before applying data to DQ0–DQ7.



SN74ALS819, SN74ALS29818 8-BIT DIAGNOSTICS/PIPELINE REGISTERS

SDAS105A – JANUARY 1986 – REVISED OCTOBER 1986

absolute maximum ratings over operating free-air temperature range

Supply voltage, V_{CC}	7 V
Input voltage, any input or I/O port	5.5 V
Operating free-air temperature range	0°C to 70°C
Storage temperature range	-65°C to 150°C

recommended operating conditions

		MIN	NOM	MAX	UNIT
V_{CC}	Supply voltage	4.75	5	5.25	V
V_{IH}	High-level input voltage	2			V
V_{IL}	Low-level input voltage			0.8	V
I_{OH}	High-level output current	Y0–Y7, PE		-3	mA
		All others		-1	
I_{OL}	Low-level output current	Y0–Y7, PE		24	mA
		All others		8	
t_w	Pulse duration	SRCLK high or low	25		ns
		ORCLK high or low	15		
t_{su}	Setup time before SRCLK \uparrow	Y0–Y7 ('ALS29818) \dagger	5		ns
		MODE	12		
		SDI	10		
		ORCLK ('ALS29818) \dagger	40		
t_{su}	Setup time before ORCLK \uparrow	DQ0–DQ7	8		ns
		MODE ('ALS29818) \dagger	15		
		SRCLK \ddagger	5		
t_h	Hold time after RCLK \uparrow	Y0–Y7 ('ALS29818) \dagger	5		ns
		MODE	2		
		SDI	0		
t_h	Hold time after ORCLK \uparrow	DQ0–DQ7	2		ns
		MODE ('ALS29818) \dagger	0		
		SDI ('ALS819)			
T_A	Operating free-air temperature	0		70	°C

\dagger This setup time ensures that the shadow register will see stable data from the output register.

\ddagger This setup time ensures that the output register will see stable data from the shadow register.

SN74ALS819, SN74ALS29818 8-BIT DIAGNOSTICS/PIPELINE REGISTERS

SDAS105A – JANUARY 1986 – REVISED OCTOBER 1986

electrical characteristics over recommended operating temperature range (unless otherwise noted)

PARAMETER		TEST CONDITIONS	MIN	TYP†	MAX	UNIT
V_{IK}		$V_{CC} = 4.75\text{ V}$, $I_I = -18\text{ mA}$			-1.2	V
V_{OH}	Y0–Y7, PE	$V_{CC} = 4.75\text{ V}$, $I_{OH} = -3\text{ mA}$	2.4	3.2		V
	All others	$V_{CC} = 4.75\text{ V}$, $I_{OH} = -1\text{ mA}$	2.4	3.2		
V_{OL}	Y0–Y7, PE	$V_{CC} = 4.75\text{ V}$, $I_{OL} = 24\text{ mA}$		0.35	0.5	V
	All others	$V_{CC} = 4.75\text{ V}$, $I_{OL} = 8\text{ mA}$		0.35	0.5	
I_I		$V_{CC} = 5.25\text{ V}$, $V_I = 5.5\text{ V}$			0.1	mA
$I_{IH}‡$		$V_{CC} = 5.25\text{ V}$, $V_I = 2.4\text{ V}$			20	μA
$I_{IL}‡$	MODE, SDI	$V_{CC} = 5.25\text{ V}$, $V_I = 0.5\text{ V}$			-0.2	mA
	All others				-0.1	
$I_{OS}§$		$V_{CC} = 5.25\text{ V}$, $V_O = 0$	-75		-250	mA
I_{CC}	'ALS819	$V_{CC} = 5.25\text{ V}$, See Note 1		65	100	mA
	'ALS29818			85	120	

† All typical values are at $V_{CC} = 5\text{ V}$, $T_A = 25^\circ\text{C}$.

‡ For I/O ports, the parameters I_{IH} and I_{IL} include the off-state current.

§ Not more than one output should be shorted at a time and duration of the short circuit should not exceed one second.

NOTE 1: I_{CC} is measured with all 3-state outputs in the high-impedance state.



SN74ALS819, SN74ALS29818 8-BIT DIAGNOSTICS/PIPELINE REGISTERS

SDAS105A – JANUARY 1986 – REVISED OCTOBER 1986

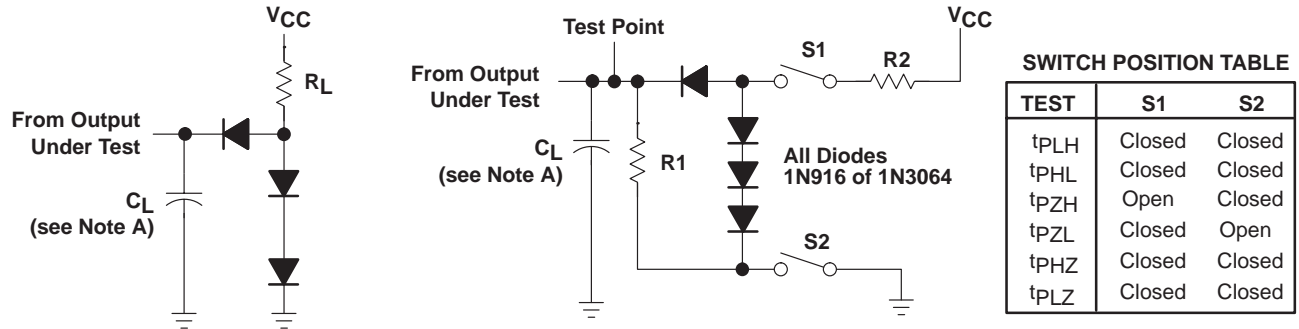
SN74ALS819 switching characteristics (see Figure 1)

PARAMETER	FROM (INPUT)	TO (OUTPUT)	TEST CONDITIONS	$V_{CC} = 5\text{ V},$ $C_L = 50\text{ pF},$ $T_A = 25^\circ\text{C}$			$V_{CC} = 4.75\text{ V to }5.25\text{ V},$ $C_L = 50\text{ pF},$ $T_A = 0^\circ\text{C to }70^\circ\text{C}$		UNIT
				MIN	TYP	MAX	MIN	MAX	
t_{PLH}	MODE	SDO	$R_L = 2\text{ k}\Omega$		10	14	4	16	ns
t_{PHL}					8	11	4	13	
t_{PLH}	SDI	SDO	$R_L = 2\text{ k}\Omega$		13	17	7	20	ns
t_{PHL}					10	14	5	16	
t_{PLH}	ORCLK	Y0–Y7	$R_L = 2\text{ k}\Omega$		10	14	4	16	ns
t_{PHL}					9	12	4	14	
t_{PLH}	ORCLK	PE	$R_L = 2\text{ k}\Omega$		25	32	10	45	ns
t_{PHL}					16	20	8	25	
t_{PLH}	SRCLK	SDO	$R_L = 2\text{ k}\Omega$		14	18	7	22	ns
t_{PHL}					9	12	5	15	
t_{PZH}	MODE or SDI	DQ0–DQ7	$R_1 = 5\text{ k}\Omega,$ $R_2 = 2\text{ k}\Omega$		11	15	5	17	ns
t_{PZL}					14	19	8	20	
t_{PHZ}	MODE or SDI	DQ0–DQ7	$R_1 = 5\text{ k}\Omega,$ $R_2 = 2\text{ k}\Omega$		48	75	23	80	ns
t_{PLZ}					21	29	12	35	

SN74ALS29818 switching characteristics (see Figure 1)

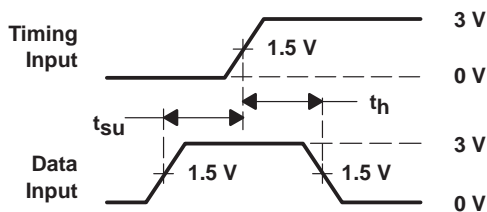
PARAMETER	FROM (INPUT)	TO (OUTPUT)	TEST CONDITIONS	$V_{CC} = 5\text{ V},$ $C_L = 50\text{ pF},$ $T_A = 25^\circ\text{C}$			$V_{CC} = 4.75\text{ V to }5.25\text{ V},$ $C_L = 50\text{ pF},$ $T_A = 0^\circ\text{C to }70^\circ\text{C}$		UNIT
				MIN	TYP	MAX	MIN	MAX	
t_{PLH}	MODE	SDO	$R_L = 2\text{ k}\Omega$		10	14		16	ns
t_{PHL}					10	14		16	
t_{PLH}	SDI	SDO	$R_L = 2\text{ k}\Omega$		10	14		16	ns
t_{PHL}					10	14		16	
t_{PLH}	ORCLK	Y0–Y7	$R_L = 2\text{ k}\Omega$		10	12		13	ns
t_{PHL}					10	12		13	
t_{PLH}	SRCLK	SDO	$R_L = 2\text{ k}\Omega$		12	18		25	ns
t_{PHL}					9	14		20	
t_{PZH}	SRCLK	DQ0–DQ7	$R_1 = 5\text{ k}\Omega,$ $R_2 = 2\text{ k}\Omega$		13	20		25	ns
t_{PZL}					16	25		30	
t_{PHZ}	SRCLK	DQ0–DQ7	$R_1 = 5\text{ k}\Omega,$ $R_2 = 2\text{ k}\Omega$		52	80		85	ns
t_{PLZ}					21	33		45	
t_{PHZ}	$\overline{\text{OEY}}$	Y0–Y7	$R_1 = 5\text{ k}\Omega,$ $R_2 = 2\text{ k}\Omega$		12	19		25	ns
t_{PLZ}					8	12		15	
t_{PZH}	$\overline{\text{OEY}}$	Y0–Y7	$R_1 = 5\text{ k}\Omega,$ $R_2 = 2\text{ k}\Omega$		7	12		15	ns
t_{PZL}					11	15		15	

PARAMETER MEASUREMENT INFORMATION

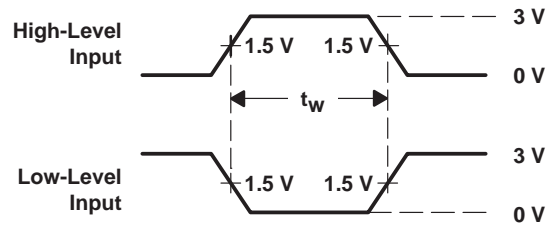


LOAD CIRCUIT FOR BI-STATE TOTEM-POLE OUTPUTS

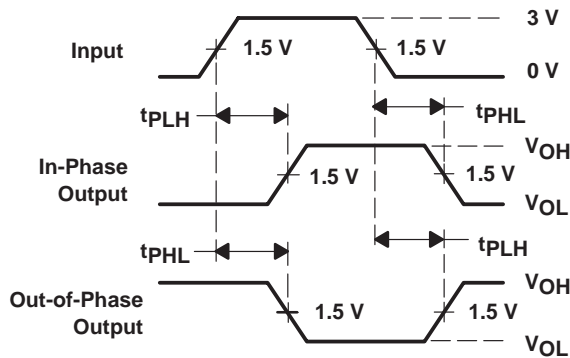
LOAD CIRCUIT FOR 3-STATE OUTPUTS



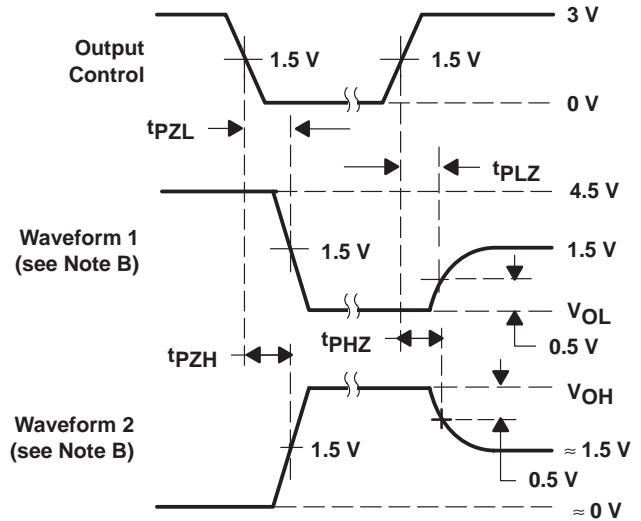
VOLTAGE WAVEFORMS SETUP AND HOLD TIMES



VOLTAGE WAVEFORMS PULSE DURATIONS



VOLTAGE WAVEFORMS PROPAGATION DELAY TIMES



VOLTAGE WAVEFORMS ENABLE AND DISABLE TIMES, 3-STATE OUTPUTS

NOTES: A. C_L includes probe and jig capacitance.

B. Waveform 1 is for an output with internal conditions such that the output is low except when disabled by the output control. Waveform 2 is for an output with internal conditions such that the output is high except when disabled by the output control.

C. All input pulses are supplied by generators having the following characteristics: $PRR \leq 10$ MHz, $Z_O = 50 \Omega$, $t_r = 2.5$ ns, $t_f \leq 2.5$ ns.

Figure 1

PACKAGING INFORMATION

Orderable Device	Status ⁽¹⁾	Package Type	Package Drawing	Pins	Package Qty	Eco Plan ⁽²⁾	Lead/Ball Finish	MSL Peak Temp ⁽³⁾
SN74ALS29818DW	OBSOLETE	SOIC	DW	24		TBD	Call TI	Call TI
SN74ALS29818DWR	OBSOLETE	SOIC	DW	24		TBD	Call TI	Call TI
SN74ALS29818DWR	OBSOLETE	SOIC	DW	24		TBD	Call TI	Call TI
SN74ALS29818NT	OBSOLETE	PDIP	NT	24		TBD	Call TI	Call TI
SN74ALS29818NT	OBSOLETE	PDIP	NT	24		TBD	Call TI	Call TI

⁽¹⁾ The marketing status values are defined as follows:

ACTIVE: Product device recommended for new designs.

LIFEBUY: TI has announced that the device will be discontinued, and a lifetime-buy period is in effect.

NRND: Not recommended for new designs. Device is in production to support existing customers, but TI does not recommend using this part in a new design.

PREVIEW: Device has been announced but is not in production. Samples may or may not be available.

OBSOLETE: TI has discontinued the production of the device.

⁽²⁾ Eco Plan - The planned eco-friendly classification: Pb-Free (RoHS), Pb-Free (RoHS Exempt), or Green (RoHS & no Sb/Br) - please check <http://www.ti.com/productcontent> for the latest availability information and additional product content details.

TBD: The Pb-Free/Green conversion plan has not been defined.

Pb-Free (RoHS): TI's terms "Lead-Free" or "Pb-Free" mean semiconductor products that are compatible with the current RoHS requirements for all 6 substances, including the requirement that lead not exceed 0.1% by weight in homogeneous materials. Where designed to be soldered at high temperatures, TI Pb-Free products are suitable for use in specified lead-free processes.

Pb-Free (RoHS Exempt): This component has a RoHS exemption for either 1) lead-based flip-chip solder bumps used between the die and package, or 2) lead-based die adhesive used between the die and leadframe. The component is otherwise considered Pb-Free (RoHS compatible) as defined above.

Green (RoHS & no Sb/Br): TI defines "Green" to mean Pb-Free (RoHS compatible), and free of Bromine (Br) and Antimony (Sb) based flame retardants (Br or Sb do not exceed 0.1% by weight in homogeneous material)

⁽³⁾ MSL, Peak Temp. -- The Moisture Sensitivity Level rating according to the JEDEC industry standard classifications, and peak solder temperature.

Important Information and Disclaimer:The information provided on this page represents TI's knowledge and belief as of the date that it is provided. TI bases its knowledge and belief on information provided by third parties, and makes no representation or warranty as to the accuracy of such information. Efforts are underway to better integrate information from third parties. TI has taken and continues to take reasonable steps to provide representative and accurate information but may not have conducted destructive testing or chemical analysis on incoming materials and chemicals. TI and TI suppliers consider certain information to be proprietary, and thus CAS numbers and other limited information may not be available for release.

In no event shall TI's liability arising out of such information exceed the total purchase price of the TI part(s) at issue in this document sold by TI to Customer on an annual basis.

IMPORTANT NOTICE

Texas Instruments Incorporated and its subsidiaries (TI) reserve the right to make corrections, modifications, enhancements, improvements, and other changes to its products and services at any time and to discontinue any product or service without notice. Customers should obtain the latest relevant information before placing orders and should verify that such information is current and complete. All products are sold subject to TI's terms and conditions of sale supplied at the time of order acknowledgment.

TI warrants performance of its hardware products to the specifications applicable at the time of sale in accordance with TI's standard warranty. Testing and other quality control techniques are used to the extent TI deems necessary to support this warranty. Except where mandated by government requirements, testing of all parameters of each product is not necessarily performed.

TI assumes no liability for applications assistance or customer product design. Customers are responsible for their products and applications using TI components. To minimize the risks associated with customer products and applications, customers should provide adequate design and operating safeguards.

TI does not warrant or represent that any license, either express or implied, is granted under any TI patent right, copyright, mask work right, or other TI intellectual property right relating to any combination, machine, or process in which TI products or services are used. Information published by TI regarding third-party products or services does not constitute a license from TI to use such products or services or a warranty or endorsement thereof. Use of such information may require a license from a third party under the patents or other intellectual property of the third party, or a license from TI under the patents or other intellectual property of TI.

Reproduction of TI information in TI data books or data sheets is permissible only if reproduction is without alteration and is accompanied by all associated warranties, conditions, limitations, and notices. Reproduction of this information with alteration is an unfair and deceptive business practice. TI is not responsible or liable for such altered documentation. Information of third parties may be subject to additional restrictions.

Resale of TI products or services with statements different from or beyond the parameters stated by TI for that product or service voids all express and any implied warranties for the associated TI product or service and is an unfair and deceptive business practice. TI is not responsible or liable for any such statements.

TI products are not authorized for use in safety-critical applications (such as life support) where a failure of the TI product would reasonably be expected to cause severe personal injury or death, unless officers of the parties have executed an agreement specifically governing such use. Buyers represent that they have all necessary expertise in the safety and regulatory ramifications of their applications, and acknowledge and agree that they are solely responsible for all legal, regulatory and safety-related requirements concerning their products and any use of TI products in such safety-critical applications, notwithstanding any applications-related information or support that may be provided by TI. Further, Buyers must fully indemnify TI and its representatives against any damages arising out of the use of TI products in such safety-critical applications.

TI products are neither designed nor intended for use in military/aerospace applications or environments unless the TI products are specifically designated by TI as military-grade or "enhanced plastic." Only products designated by TI as military-grade meet military specifications. Buyers acknowledge and agree that any such use of TI products which TI has not designated as military-grade is solely at the Buyer's risk, and that they are solely responsible for compliance with all legal and regulatory requirements in connection with such use.

TI products are neither designed nor intended for use in automotive applications or environments unless the specific TI products are designated by TI as compliant with ISO/TS 16949 requirements. Buyers acknowledge and agree that, if they use any non-designated products in automotive applications, TI will not be responsible for any failure to meet such requirements.

Following are URLs where you can obtain information on other Texas Instruments products and application solutions:

Products		Applications	
Amplifiers	amplifier.ti.com	Audio	www.ti.com/audio
Data Converters	dataconverter.ti.com	Automotive	www.ti.com/automotive
DLP® Products	www.dlp.com	Communications and Telecom	www.ti.com/communications
DSP	dsp.ti.com	Computers and Peripherals	www.ti.com/computers
Clocks and Timers	www.ti.com/clocks	Consumer Electronics	www.ti.com/consumer-apps
Interface	interface.ti.com	Energy	www.ti.com/energy
Logic	logic.ti.com	Industrial	www.ti.com/industrial
Power Mgmt	power.ti.com	Medical	www.ti.com/medical
Microcontrollers	microcontroller.ti.com	Security	www.ti.com/security
RFID	www.ti-rfid.com	Space, Avionics & Defense	www.ti.com/space-avionics-defense
RF/IF and ZigBee® Solutions	www.ti.com/lprf	Video and Imaging	www.ti.com/video
		Wireless	www.ti.com/wireless-apps