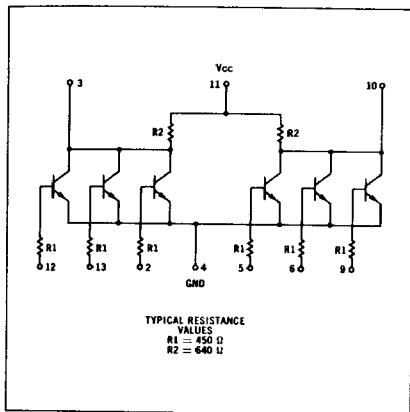


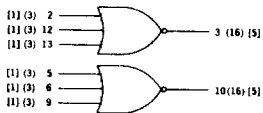
DUAL 3-INPUT GATES

PLASTIC MRTL MC700P/800P series

MC715P • MC815P



Two 3-input positive logic NOR gates in a single package. Each may be used independently, paralleled for increasing the number of inputs (subject to loading rules), or cross-coupled to form bistable elements.



$3 = 2 + 12 + 13$

NUMBER IN PARENTHESES INDICATES nW MRTL LOADING FACTOR

NUMBER IN BRACKETS INDICATES MRTL LOADING FACTOR

$t_{pd} = 12$ ns
 $P_d = 55$ mW (Input High)
 15 mW (Inputs Low)

SWITCHING TIMES TEST CIRCUIT AND WAVEFORMS

