

National Semiconductor is now part of
Texas Instruments.

Search <http://www.ti.com/> for the latest technical
information and details on our current products and services.

DS91M125

125 MHz 1:4 M-LVDS Repeater with LVDS Input

General Description

The DS91M125 is a 1:4 M-LVDS repeater designed for driving and distributing clock or data signals to up to four multipoint networks.

M-LVDS (Multipoint LVDS) is a new family of bus interface devices based on LVDS technology specifically designed for multipoint and multidrop cable and backplane applications. It differs from standard LVDS in providing increased drive current to handle double terminations that are required in multipoint applications. Controlled transition times minimize reflections that are common in multipoint configurations due to unterminated stubs.

A single DS91M125 channel is a 1:4 repeater that accepts M-LVDS/LVDS/CML/LVPECL signals and converts them to M-LVDS signal levels. Each output has an associated independent driver enable pin. The DS91M125 input conforms to the LVDS standard.

The DS91M125 has a flow-through pinout for easy PCB layout. It provides a new alternative for high speed multipoint interface applications. It is packaged in a space saving SOIC-16 package.

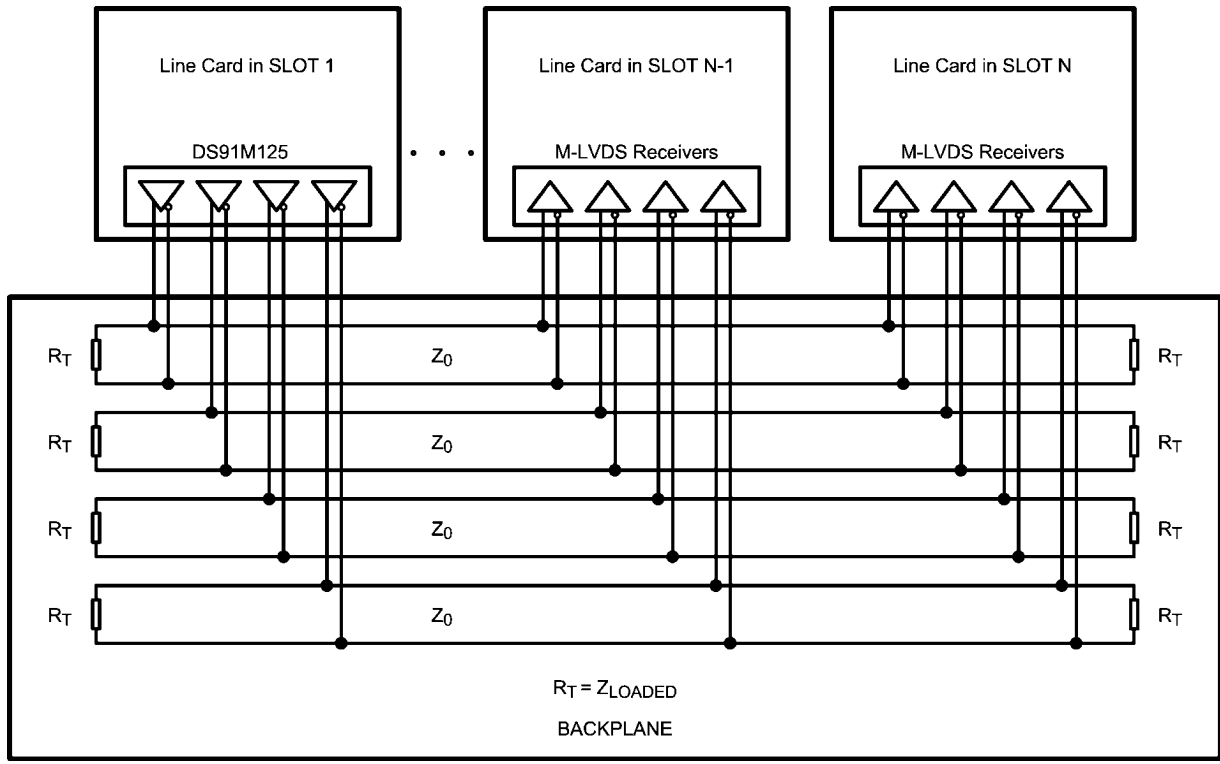
Features

- DC - 125 MHz / 250 Mbps low jitter, low skew, low power operation
- Independent Driver Enable pins
- Outputs Conform to TIA/EIA-899 M-LVDS Standard
- Controlled transition times minimize reflections
- Inputs Conform to TIA/EIA-644-A LVDS Standard
- 8 kV ESD on M-LVDS output pins protects adjoining components
- Flow-through pinout simplifies PCB layout
- Industrial operating temperature range (-40°C to +85°C)
- Available in a space saving SOIC-16 package

Applications

- Multidrop / Multipoint clock and data distribution
- High-Speed, Low Power, Short-Reach alternative to TIA/EIA-485/422
- Clock distribution in AdvancedTCA (ATCA) and MicroTCA (μ TCA, u TCA) backplanes

Typical Application

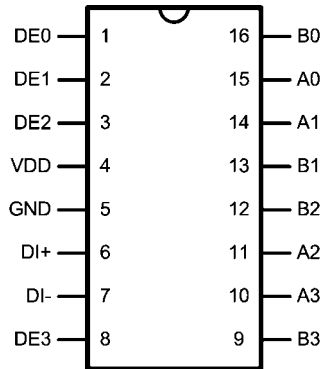


30054202

Ordering Information

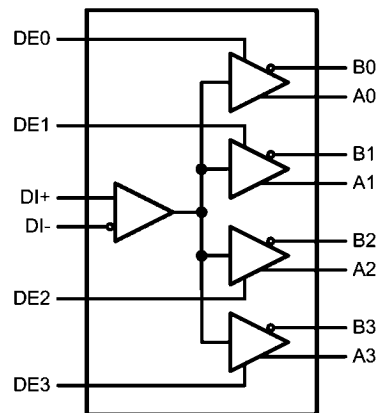
Order Number	Function	Package Type
DS91M125TMA	1:4 Repeater	SOIC-16

Connection Diagram



30054201

Logic Diagram



30054203

Pin Descriptions

Number	Name	I/O, Type	Description
1, 2, 3, 8	DE	I, LVCMOS	Driver enable pins: When DE is low, the driver is disabled. When DE is high, the driver is enabled. There is a 300 k Ω pulldown resistor on each pin.
6	DI+	I, LVDS	Non-inverting receiver input pin.
7	DI-	I, LVDS	Inverting receiver input pin.
5	GND	Power	Ground pin.
10, 11, 14, 15	A	O, M-LVDS	Non-inverting driver output pin.
9, 12, 13, 16	B	O, M-LVDS	Inverting driver output pin.
4	V _{DD}	Power	Power supply pin, +3.3V \pm 0.3V

Absolute Maximum Ratings (Note 4)

If Military/Aerospace specified devices are required, please contact the National Semiconductor Sales Office/Distributors for availability and specifications.

Supply Voltage	-0.3V to +4V
LVC MOS Input Voltages	-0.3V to ($V_{DD} + 0.3V$)
M-LVDS Output Voltages	-1.9V to +5.5V
LVDS Input Voltages	-0.3V to ($V_{DD} + 0.3V$)
Maximum Package Power Dissipation at +25°C	
SOIC Package	2.21W
Derate SOIC Package	19.2 mW/°C above +25°C
Thermal Resistance (4-Layer, 2 oz. Cu, JEDEC)	
θ_{JA}	52°C/W
θ_{JC}	19°C/W
Maximum Junction Temperature	140°C
Storage Temperature Range	-65°C to +150°C
Lead Temperature (Soldering, 4 seconds)	260°C

ESD Susceptibility

HBM <small>(Note 1)</small>	≥ 8 kV
MM <small>(Note 2)</small>	≥ 250V
CDM <small>(Note 3)</small>	≥ 1250V

Note 1: Human Body Model, applicable std. JESD22-A114C

Note 2: Machine Model, applicable std. JESD22-A115-A

Note 3: Field Induced Charge Device Model, applicable std. JESD22-C101-C

Recommended Operating Conditions

	Min	Typ	Max	Units
Supply Voltage, V_{DD}	3.0	3.3	3.6	V
Voltage at M-LVDS Outputs	-1.4		+3.8	V
Voltage at LVDS Inputs	0		V_{DD}	V
LVC MOS Input Voltage High V_{IH}	2.0		V_{DD}	V
LVC MOS Input Voltage Low V_{IL}	0		0.8	V
Operating Free Air Temperature T_A	-40	+25	+85	°C

Electrical Characteristics

Over recommended operating supply and temperature ranges unless otherwise specified. (Note 5, Note 6, Note 7, Note 10)

Symbol	Parameter	Conditions	Min	Typ	Max	Units
LVC MOS DC Specifications						
V_{IH}	High-Level Input Voltage		2.0		V_{DD}	V
V_{IL}	Low-Level Input Voltage		GND		0.8	V
I_{IH}	High-Level Input Current	$V_{IH} = 3.6V$	-15	±1	15	μA
I_{IL}	Low-Level Input Current	$V_{IL} = 0V$	-15	±1	15	μA
V_{CL}	Input Clamp Voltage	$I_{IN} = -18\text{ mA}$	-1.5			V
M-LVDS Driver DC Specifications						
$ V_{AB} $	Differential output voltage magnitude	$R_L = 50\Omega, C_L = 5pF$	480		650	mV
ΔV_{AB}	Change in differential output voltage magnitude between logic states	Figures 1, 3	-50	0	+50	mV
$V_{OS(SS)}$	Steady-state common-mode output voltage	$R_L = 50\Omega, C_L = 5pF$	0.3	1.6	2.1	V
$ \Delta V_{OS(SS)} $	Change in steady-state common-mode output voltage between logic states	Figures 1, 2	0		+50	mV
$V_{A(OC)}$	Maximum steady-state open-circuit output voltage	Figure 4	0		2.4	V
$V_{B(OC)}$	Maximum steady-state open-circuit output voltage		0		2.4	V
$V_{P(H)}$	Voltage overshoot, low-to-high level output	$R_L = 50\Omega, C_L = 5pF, C_D = 0.5pF$ Figures 6, 7 <small>(Note 8)</small>			$1.2V_{SS}$	V
$V_{P(L)}$	Voltage overshoot, high-to-low level output		$-0.2V_s$			V
I_{OS}	Differential short-circuit output current	Figure 5 <small>(Note 9)</small>	-43		43	mA
I_A	Driver output current	$V_A = 3.8V, V_B = 1.2V$			32	μA
		$V_A = 0V$ or $2.4V, V_B = 1.2V$	-20		+20	μA
		$V_A = -1.4V, V_B = 1.2V$	-32			μA
I_B	Driver output current	$V_B = 3.8V, V_A = 1.2V$			32	μA
		$V_B = 0V$ or $2.4V, V_A = 1.2V$	-20		+20	μA
		$V_B = -1.4V, V_A = 1.2V$	-32			μA
I_{AB}	Driver output differential current ($I_A - I_B$)	$V_A = V_B, -1.4V \leq V \leq 3.8V$	-4		+4	μA

Symbol	Parameter	Conditions	Min	Typ	Max	Units
$I_{A(OFF)}$	Driver output power-off current	$V_A = 3.8V, V_B = 1.2V,$ $DE = 0V$ $0V \leq V_{DD} \leq 1.5V$			32	μA
		$V_A = 0V$ or $2.4V, V_B = 1.2V,$ $DE = 0V$ $0V \leq V_{DD} \leq 1.5V$	-20		+20	μA
		$V_A = -1.4V, V_B = 1.2V,$ $DE = 0V$ $0V \leq V_{DD} \leq 1.5V$	-32			μA
$I_{B(OFF)}$	Driver output power-off current	$V_B = 3.8V, V_A = 1.2V,$ $DE = 0V$ $0V \leq V_{DD} \leq 1.5V$			32	μA
		$V_B = 0V$ or $2.4V, V_A = 1.2V,$ $DE = 0V$ $0V \leq V_{DD} \leq 1.5V$	-20		+20	μA
		$V_B = -1.4V, V_A = 1.2V,$ $DE = 0V$ $0V \leq V_{DD} \leq 1.5V$	-32			μA
$I_{AB(OFF)}$	Driver output power-off differential current ($I_{A(OFF)} - I_{B(OFF)}$)	$V_A = V_B, -1.4V \leq V \leq 3.8V,$ $DE = 0V$ $0V \leq V_{DD} \leq 1.5V$	-4		+4	μA
C_A	Driver output capacitance	$V_{DD} = OPEN$		7.8		pF
C_B	Driver output capacitance			7.8		pF
C_{AB}	Driver output differential capacitance			3		pF
$C_{A/B}$	Driver output capacitance balance (C_A/C_B)			1		
LVDS Receiver DC Specifications						
V_{IT+}	Positive-going differential input voltage threshold			-5	100	mV
V_{IT-}	Negative-going differential input voltage threshold		-100	-5		mV
V_{CMR}	Common mode voltage range	$VID = 100$ mV	0.05		$V_{DD} - 0.05$	V
I_{IN}	Input current	$V_{IN} = 3.6V, V_{DD} = 3.6V$		± 1	± 10	μA
		$V_{IN} = 0V, V_{DD} = 3.6V$		± 1	± 10	μA
C_{IN}	Input capacitance	$V_{DD} = OPEN$		5		pF
POWER SUPPLY CURRENT						
I_{CCD}	Driver Supply Current	$R_L = 50\Omega, DE = V_{DD}$		67	78	mA
I_{CCZ}	TRI-STATE Supply Current	$DE = GND$		21	26	mA

Note 4: "Absolute Maximum Ratings" indicate limits beyond which damage to the device may occur, including inoperability and degradation of device reliability and/or performance. Functional operation of the device and/or non-degradation at the Absolute Maximum Ratings or other conditions beyond those indicated in the Recommended Operating Conditions is not implied. The Recommended Operating Conditions indicate conditions at which the device is functional and the device should not be operated beyond such conditions.

Note 5: The Electrical Characteristics tables list guaranteed specifications under the listed Recommended Operating Conditions except as otherwise modified or specified by the Electrical Characteristics Conditions and/or Notes. Typical specifications are estimations only and are not guaranteed.

Note 6: Current into device pins is defined as positive. Current out of device pins is defined as negative. All voltages are referenced to ground except V_{OD} and ΔV_{OD} .

Note 7: Typical values represent most likely parametric norms for $V_{DD} = +3.3V$ and $T_A = +25^\circ C$, and at the Recommended Operation Conditions at the time of product characterization and are not guaranteed.

Note 8: Specification is guaranteed by characterization and is not tested in production.

Note 9: Output short circuit current (I_{OS}) is specified as magnitude only, minus sign indicates direction only.

Note 10: C_L includes fixture capacitance and C_D includes probe capacitance.

Switching Characteristics

Over recommended operating supply and temperature ranges unless otherwise specified. (Note 11, Note 12, Note 18)

Symbol	Parameter	Conditions	Min	Typ	Max	Units
DRIVER AC SPECIFICATION						
t_{PLH}	Differential Propagation Delay Low to High	$R_L = 50\Omega$, $C_L = 5$ pF,	3.0	5.5	8.5	ns
t_{PHL}	Differential Propagation Delay High to Low	$C_D = 0.5$ pF	3.0	5.5	8.5	ns
t_{SKD1} ($t_{sk(p)}$)	Pulse Skew $ t_{PLHD} - t_{PHLD} $ (Note 14, Note 19)	Figures 6, 7		65	350	ps
t_{SKD2}	Channel-to-Channel Skew (Note 15, Note 19)			65	400	ps
t_{SKD3}	Part-to-Part Skew (Note 16, Note 19)			2.2	2.5	ns
t_{SKD4}	Part-to-Part Skew (Note 17)				5.5	ns
t_{TLH} (t_r)	Rise Time (Note 19)		1.1	2.0	3.0	ns
t_{THL} (t_f)	Fall Time (Note 19)		1.1	2.0	3.0	ns
t_{PZH}	Enable Time (Z to Active High)	$R_L = 50\Omega$, $C_L = 5$ pF,		6	11	ns
t_{PZL}	Enable Time (Z to Active Low)	$C_D = 0.5$ pF		6	11	ns
t_{PLZ}	Disable Time (Active Low to Z)	Figures 8, 9		6	11	ns
t_{PHZ}	Disable Time (Active High to Z)			6	11	ns
f_{MAX}	Maximum Operating Frequency (Note 19)		125			MHz

Note 11: The Electrical Characteristics tables list guaranteed specifications under the listed Recommended Operating Conditions except as otherwise modified or specified by the Electrical Characteristics Conditions and/or Notes.

Note 12: Typical values represent most likely parametric norms for $V_{DD} = +3.3V$ and $T_A = +25^\circ C$, and at the Recommended Operation Conditions at the time of product characterization and are not guaranteed.

Note 13: Specification is guaranteed by characterization and is not tested in production.

Note 14: t_{SKD1} , $|t_{PLHD} - t_{PHLD}|$, is the magnitude difference in differential propagation delay time between the positive going edge and the negative going edge of the same channel.

Note 15: t_{SKD2} , Channel-to-Channel Skew, is the difference in propagation delay (t_{PLHD} or t_{PHLD}) among all output channels.

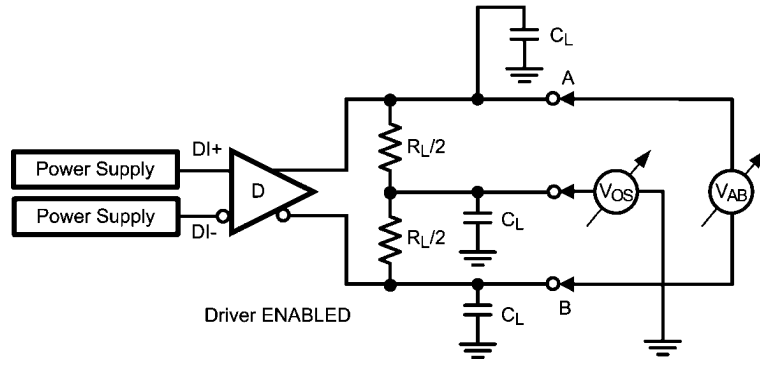
Note 16: t_{SKD3} , Part-to-Part Skew, is defined as the difference between the minimum and maximum specified differential propagation delays. This specification applies to devices at the same V_{DD} and within $5^\circ C$ of each other within the operating temperature range.

Note 17: t_{SKD4} , Part-to-Part Skew, is the differential channel-to-channel skew of any event between devices. This specification applies to devices over recommended operating temperature and voltage ranges, and across process distribution. t_{SKD4} is defined as $|Max - Min|$ differential propagation delay.

Note 18: C_L includes fixture capacitance and C_D includes probe capacitance.

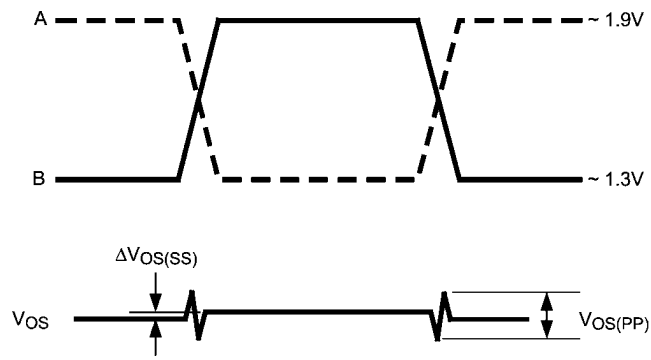
Note 19: Specification is guaranteed by characterization and is not tested in production.

Test Circuits and Waveforms



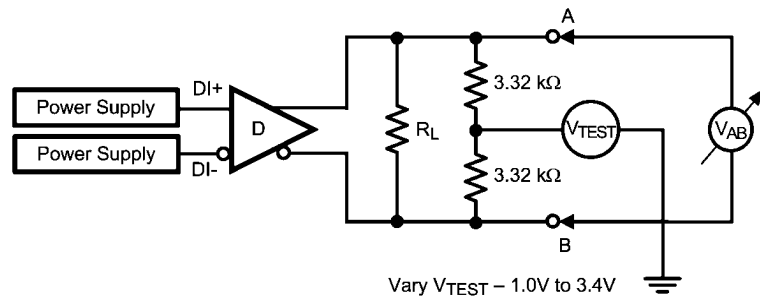
30054214

FIGURE 1. Differential Driver Test Circuit



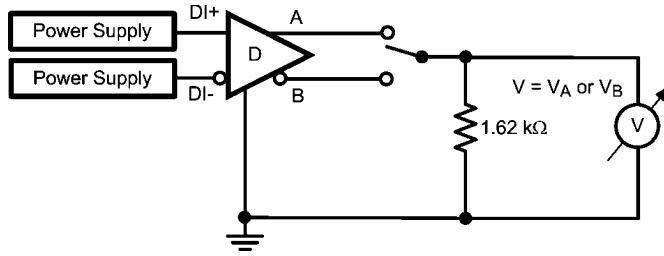
30054244

FIGURE 2. Differential Driver Waveforms



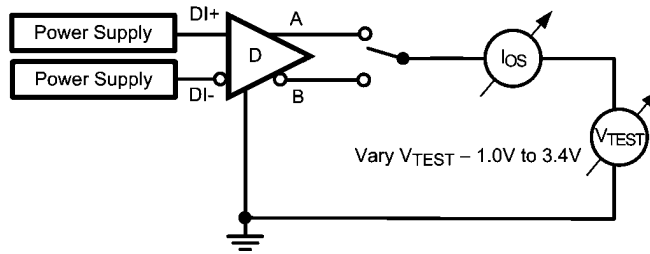
30054222

FIGURE 3. Differential Driver Full Load Test Circuit



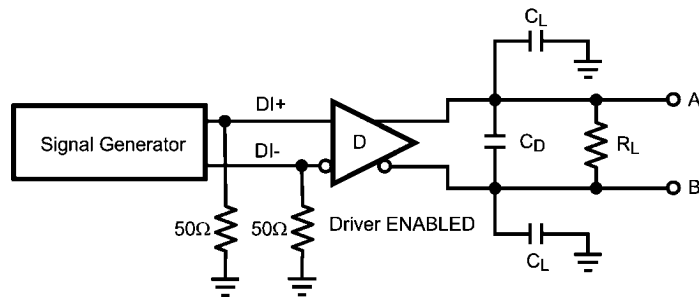
30054212

FIGURE 4. Differential Driver DC Open Test Circuit



30054225

FIGURE 5. Differential Driver Short-Circuit Test Circuit



30054216

FIGURE 6. Driver Propagation Delay and Transition Time Test Circuit

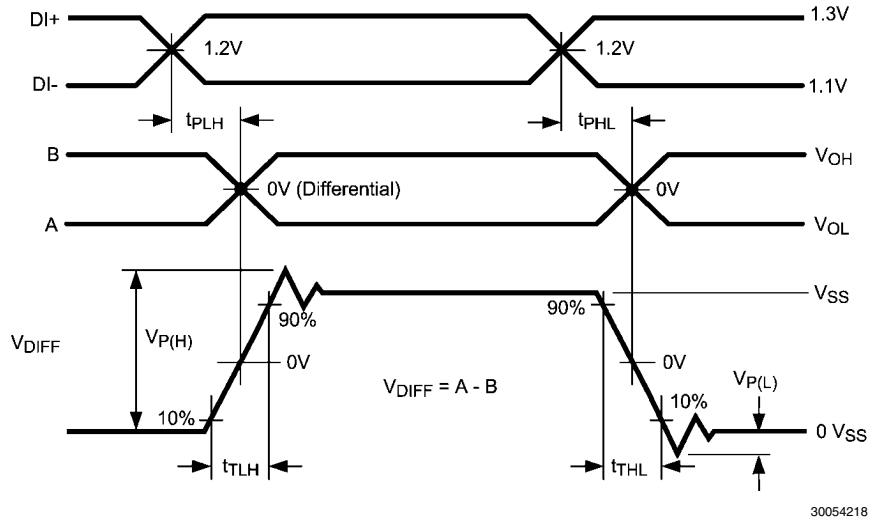


FIGURE 7. Driver Propagation Delays and Transition Time Waveforms

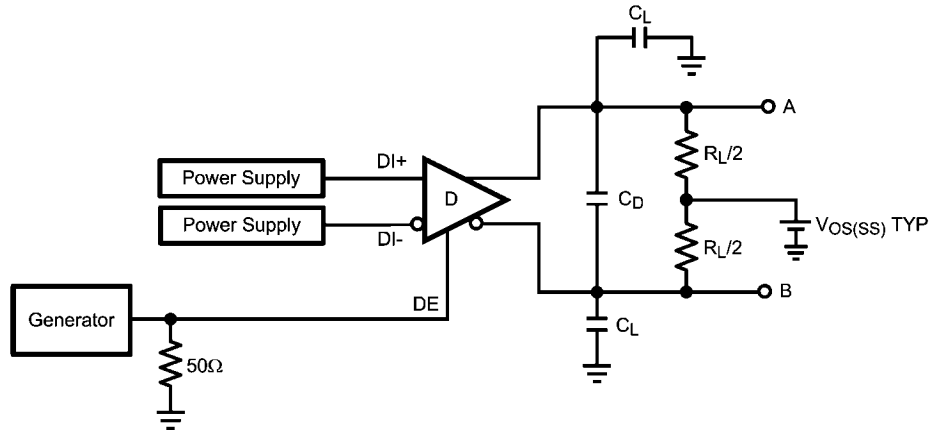


FIGURE 8. Driver TRI-STATE Delay Test Circuit

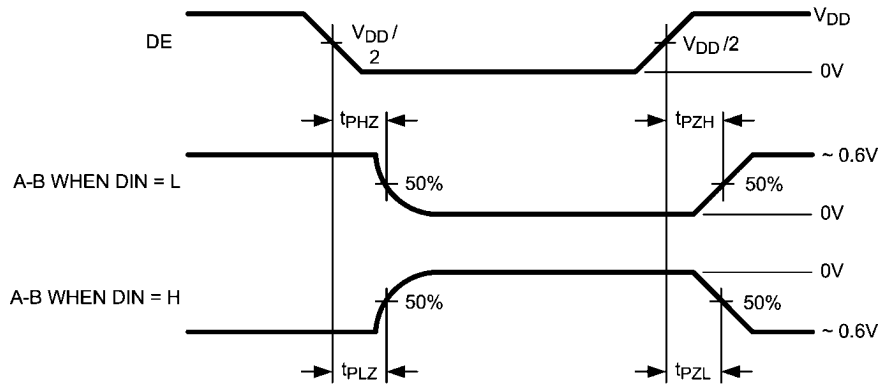
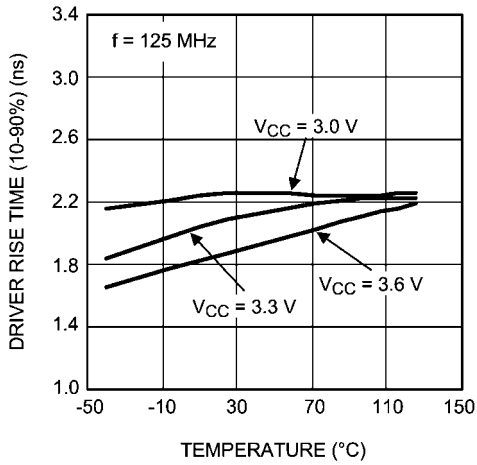
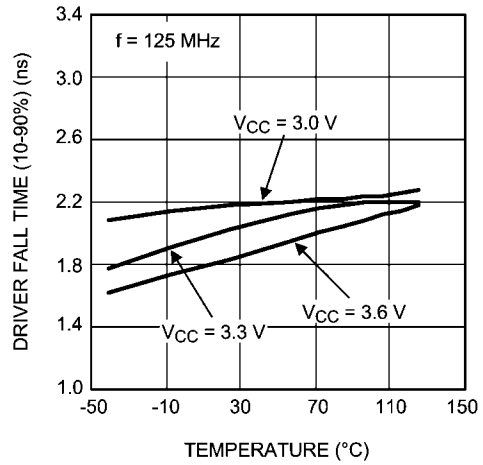


FIGURE 9. Driver TRI-STATE Delay Waveforms

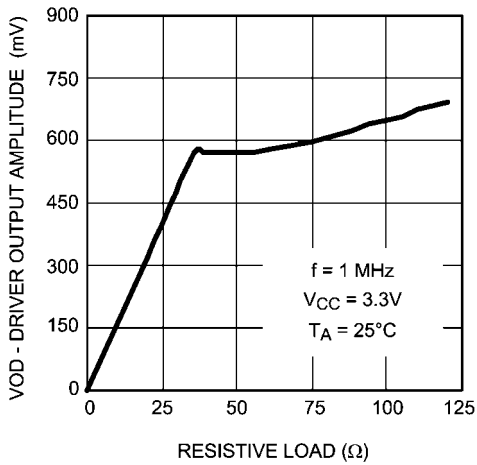
Typical Performance Characteristics



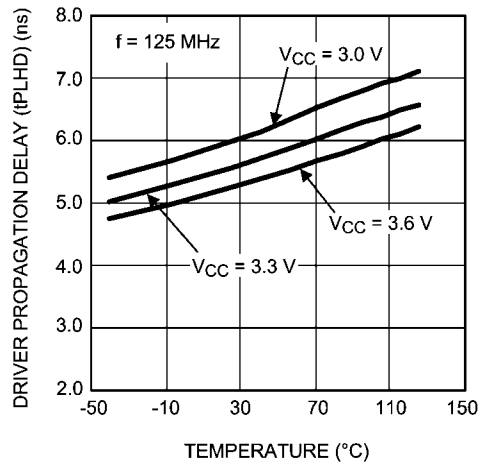
30054250
Driver Rise Time as a Function of Temperature



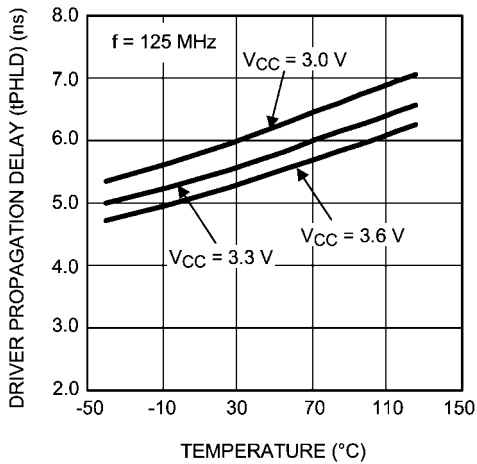
30054251
Driver Fall Time as a Function of Temperature



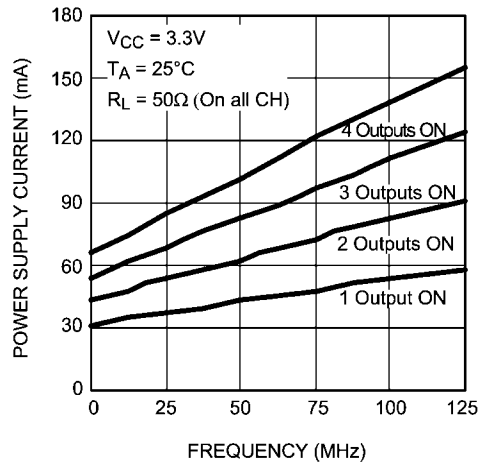
30054258
Driver Output Signal Amplitude as a Function of Resistive Load



30054252
Driver Propagation Delay (tPLHD) as a Function of Temperature

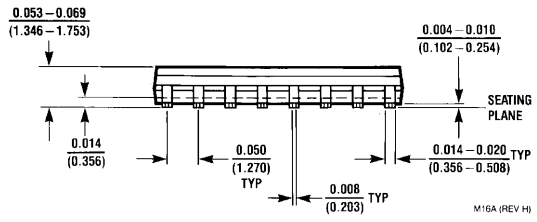
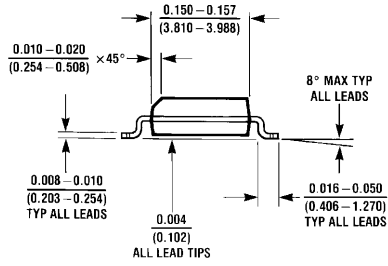
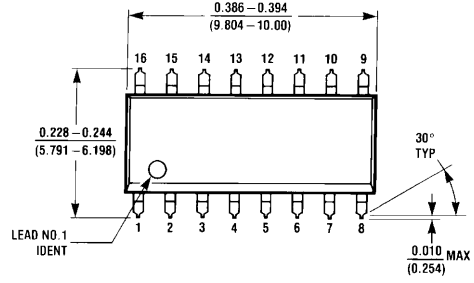


30054253
Driver Propagation Delay (tPHLD) as a Function of Temperature



30054254
Driver Power Supply Current as a Function of Frequency

Physical Dimensions inches (millimeters) unless otherwise noted



**16-Lead (0.150 Wide) Molded Small Outline Package, JEDEC
Order Number DS91M125TMA
NS Package Number M16A**

Notes

Notes

For more National Semiconductor product information and proven design tools, visit the following Web sites at:

Products		Design Support	
Amplifiers	www.national.com/amplifiers	WEBENCH® Tools	www.national.com/webench
Audio	www.national.com/audio	App Notes	www.national.com/appnotes
Clock and Timing	www.national.com/timing	Reference Designs	www.national.com/refdesigns
Data Converters	www.national.com/adc	Samples	www.national.com/samples
Interface	www.national.com/interface	Eval Boards	www.national.com/evalboards
LVDS	www.national.com/lvds	Packaging	www.national.com/packaging
Power Management	www.national.com/power	Green Compliance	www.national.com/quality/green
Switching Regulators	www.national.com/switchers	Distributors	www.national.com/contacts
LDOs	www.national.com/ldo	Quality and Reliability	www.national.com/quality
LED Lighting	www.national.com/led	Feedback/Support	www.national.com/feedback
Voltage Reference	www.national.com/vref	Design Made Easy	www.national.com/easy
PowerWise® Solutions	www.national.com/powerwise	Solutions	www.national.com/solutions
Serial Digital Interface (SDI)	www.national.com/sdi	Mil/Aero	www.national.com/milaero
Temperature Sensors	www.national.com/tempensors	SolarMagic™	www.national.com/solarmagic
Wireless (PLL/VCO)	www.national.com/wireless	PowerWise® Design University	www.national.com/training

THE CONTENTS OF THIS DOCUMENT ARE PROVIDED IN CONNECTION WITH NATIONAL SEMICONDUCTOR CORPORATION ("NATIONAL") PRODUCTS. NATIONAL MAKES NO REPRESENTATIONS OR WARRANTIES WITH RESPECT TO THE ACCURACY OR COMPLETENESS OF THE CONTENTS OF THIS PUBLICATION AND RESERVES THE RIGHT TO MAKE CHANGES TO SPECIFICATIONS AND PRODUCT DESCRIPTIONS AT ANY TIME WITHOUT NOTICE. NO LICENSE, WHETHER EXPRESS, IMPLIED, ARISING BY ESTOPPEL OR OTHERWISE, TO ANY INTELLECTUAL PROPERTY RIGHTS IS GRANTED BY THIS DOCUMENT.

TESTING AND OTHER QUALITY CONTROLS ARE USED TO THE EXTENT NATIONAL DEEMS NECESSARY TO SUPPORT NATIONAL'S PRODUCT WARRANTY. EXCEPT WHERE MANDATED BY GOVERNMENT REQUIREMENTS, TESTING OF ALL PARAMETERS OF EACH PRODUCT IS NOT NECESSARILY PERFORMED. NATIONAL ASSUMES NO LIABILITY FOR APPLICATIONS ASSISTANCE OR BUYER PRODUCT DESIGN. BUYERS ARE RESPONSIBLE FOR THEIR PRODUCTS AND APPLICATIONS USING NATIONAL COMPONENTS. PRIOR TO USING OR DISTRIBUTING ANY PRODUCTS THAT INCLUDE NATIONAL COMPONENTS, BUYERS SHOULD PROVIDE ADEQUATE DESIGN, TESTING AND OPERATING SAFEGUARDS.

EXCEPT AS PROVIDED IN NATIONAL'S TERMS AND CONDITIONS OF SALE FOR SUCH PRODUCTS, NATIONAL ASSUMES NO LIABILITY WHATSOEVER, AND NATIONAL DISCLAIMS ANY EXPRESS OR IMPLIED WARRANTY RELATING TO THE SALE AND/OR USE OF NATIONAL PRODUCTS INCLUDING LIABILITY OR WARRANTIES RELATING TO FITNESS FOR A PARTICULAR PURPOSE, MERCHANTABILITY, OR INFRINGEMENT OF ANY PATENT, COPYRIGHT OR OTHER INTELLECTUAL PROPERTY RIGHT.

LIFE SUPPORT POLICY

NATIONAL'S PRODUCTS ARE NOT AUTHORIZED FOR USE AS CRITICAL COMPONENTS IN LIFE SUPPORT DEVICES OR SYSTEMS WITHOUT THE EXPRESS PRIOR WRITTEN APPROVAL OF THE CHIEF EXECUTIVE OFFICER AND GENERAL COUNSEL OF NATIONAL SEMICONDUCTOR CORPORATION. As used herein:

Life support devices or systems are devices which (a) are intended for surgical implant into the body, or (b) support or sustain life and whose failure to perform when properly used in accordance with instructions for use provided in the labeling can be reasonably expected to result in a significant injury to the user. A critical component is any component in a life support device or system whose failure to perform can be reasonably expected to cause the failure of the life support device or system or to affect its safety or effectiveness.

National Semiconductor and the National Semiconductor logo are registered trademarks of National Semiconductor Corporation. All other brand or product names may be trademarks or registered trademarks of their respective holders.

Copyright© 2009 National Semiconductor Corporation

For the most current product information visit us at www.national.com



**National Semiconductor
Americas Technical
Support Center**
Email: support@nsc.com
Tel: 1-800-272-9959

**National Semiconductor Europe
Technical Support Center**
Email: europe.support@nsc.com

**National Semiconductor Asia
Pacific Technical Support Center**
Email: ap.support@nsc.com

**National Semiconductor Japan
Technical Support Center**
Email: jpn.feedback@nsc.com