

Description

The ICS1894-34 is a low-power, physical-layer device (PHY) that supports the ISO/IEC 10Base-T and 100Base-TX Carrier-Sense Multiple Access/Collision Detection (CSMA/CD) Ethernet standards, ISO/IEC 8802.3. It is intended for MII Node applications and includes the Auto-MDIX feature that automatically corrects crossover errors in plant wiring.

The ICS1894-34 incorporates Digital-Signal Processing (DSP) control in its Physical-Medium Dependent (PMD) sub-layer. As a result, it can transmit and receive data on unshielded twisted-pair (UTP) category 5 cables with attenuation in excess of 24 dB at 100MHz.

The ICS1894-34 provides a Serial-Management Interface for exchanging command and status information with a Station-Management (STA) entity. The ICS1894-34 Media-Dependent Interface (MDI) can be configured to provide half/full-duplex operation at data rates of 10 Mb/s or 100Mb/s.

In addition, the ICS1894-34 includes a programmable LED and interrupt output function. The LED outputs can be configured through registers to indicate the occurrence of certain events such as LINK, COLLISION, ACTIVITY, etc. The purpose of the programmable interrupt output is to notify the PHY controller device immediately when a certain event happens instead of having the PHY controller continuously poll the PHY. The events that could be used to generate interrupts are: receiver error, Jabber, page received, parallel detect fault, link partner acknowledge, link status change, auto-negotiation complete, remote fault, collision, etc.

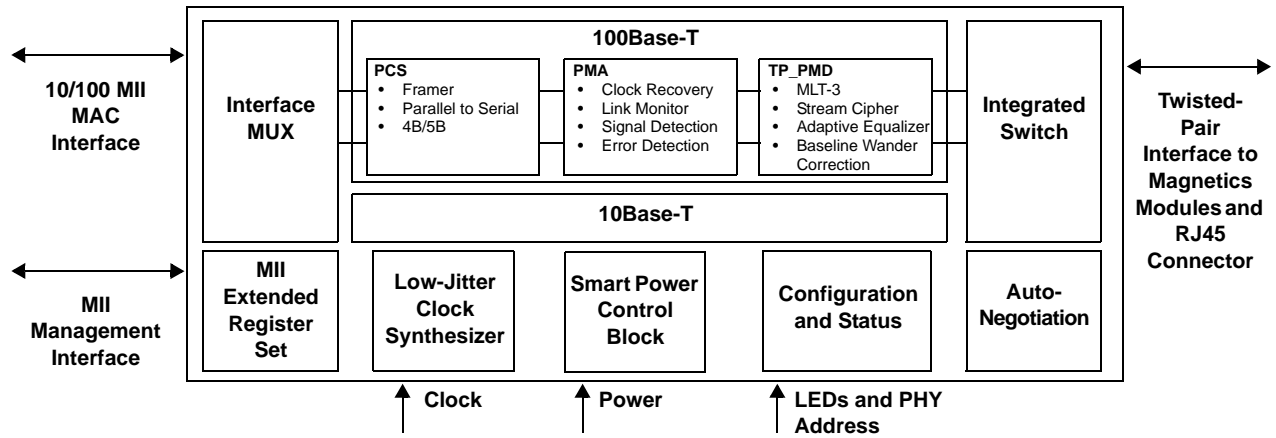
The ICS1894-34 has deep power modes that can result in significant power savings when the link is broken.

Applications: NIC cards, PC motherboards, switches, routers, DSL and cable modems, game machines, printers, network connected appliances, and industrial equipment.

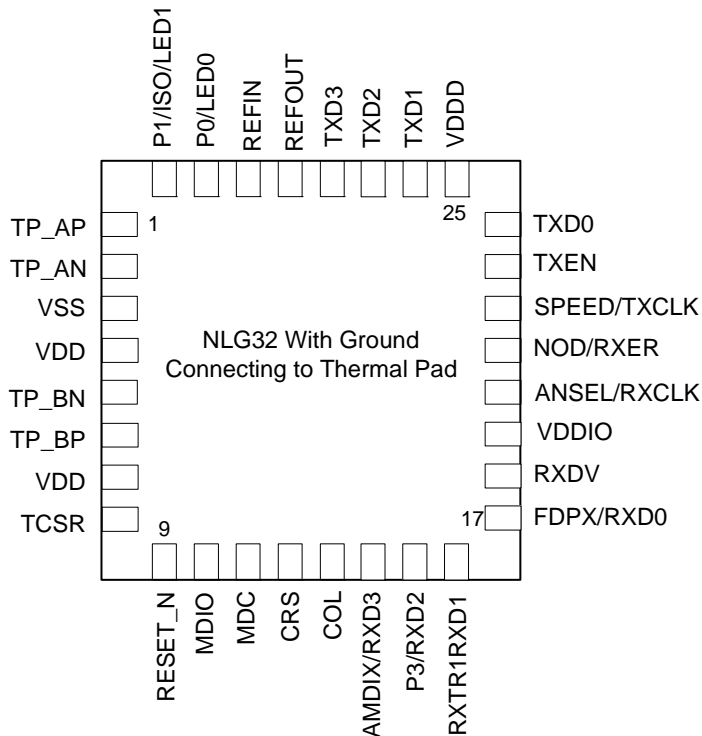
Features

- Supports category 5 cables and above with attenuation in excess of 24dB at 100 MHz.
- Single-chip, fully integrated PHY provides PCS, PMA, PMD, and AUTONEG sub layers functions of IEEE standard.
- 10Base-T and 100Base-TX ISO/IEC 8802.3 compliant
- MIIM (MDC/MDIO) management bus for PHY register configuration
- Single 3.3V power supply
- Highly configurable, supports:
 - Media Independent Interface (MII)
 - Auto-Negotiation with Parallel detection
 - Node applications, managed or unmanaged
 - 10M or 100M half/full duplex modes
 - Loopback mode for Diagnostic Functions
- Auto-MDI/MDIX crossover correction
- Low-power CMOS (typically 300 mW)
- Power-Down mode (typically 21mW)
- Clock and crystal supported in MII mode
- Programmable LEDs
- Interrupt output pin
- Fully integrated, DSP-based PMD includes:
 - Adaptive equalization and baseline-wander correction
 - Transmit wave shaping and stream cipher scrambler
 - MLT-3 encoder and NRZ/NRZI encoder
- Core power supply (3.3 V)
- 3.3 V/1.8 V VDDIO operation supported
- Smart power control with deep power down feature
- Available in 32-pin (5mm x 5mm) QFN package, Pb-free
- Available in Industrial Temp and Lead Free

Block Diagram



Pin Assignment



32-pin 5mm x 5mm QFN

Pin Descriptions

| Pin Number | Pin Name | Pin Type ¹ | Pin Description |
|------------|-----------------|-----------------------|--|
| 1 | TP_AP | AIO | Twisted pair port A (for either transmit or receive) positive signal |
| 2 | TP_AN | AIO | Twisted pair port A (for either transmit or receive) negative signal |
| 3 | VSS | Ground | Connect to ground. |
| 4 | VDD | Power | 3.3V Power Supply |
| 5 | TP_BN | AIO | Twisted pair port B (for either transmit or receive) negative signal |
| 6 | TP_BP | AIO | Twisted pair port B (for either transmit or receive) positive signal |
| 7 | VDD | Power | 3.3V Power Supply |
| 8 | TCSR | AIO | Transmit Current bias pin, connected to Vdd and ground via resistors (see “Recommended Component Values” table and the “ICS1894-34 TCSR” figure). |
| 9 | RESET_N | Input | Hardware reset for the entire chip (active low) |
| 10 | MDIO | IO | Management Data Input/Output |
| 11 | MDC | Input | Management Data Clock |
| 12 | CRS | O/P | Carrier sense output in MII mode. |
| 13 | COL | O/P | Collision detection in MII mode. |
| 14 | AMDIX/RXD3 | IO/lpu | AMDIX enable as input (during power on reset/hardware reset) Receive data Bit 3 in MII mode as output. |
| 15 | P3/RXD2 | IO/lpd | PHY address Bit 3 as input (during power on reset/hardware reset) Receive data Bit 2 in MII mode as output. |
| 16 | RXTRI/ RXD1 | IO/lpd | RX tri-state enable as input (during power on reset/hardware reset) Receive data Bit 1 in MII mode as output. |
| 17 | FDPX/ RXD0 | IO/lpu | Half/Full duplex enable as input (during power on reset/hardware reset) Receive data Bit 0 in MII mode as output |
| 18 | RXDV | IO/lpd | Receive data valid in MII mode as output. |
| 19 | VDDIO | Power | 3.3 V/1.8 V IO Power Supply. |
| 20 | ANSEL/ RXCLK | IO/lpu | Auto-negotiation enable as input (during power on reset/hardware reset) Receive clock in MII mode as output. |
| 21 | NOD/ RXER | IO/lpd | Node select as input (during power on reset/hardware reset) Receive error in MII mode as output It is recommended to always pull this pin low on power-up or hardware reset. |
| 22 | SPEED/ TXCLK | IO/lpu | 10M/100M select as input (during power on reset/hardware reset) Transmit clock in MII mode as output |
| 23 | TXEN | Input | Transmit enable in MII mode |
| 24 | TXD0 | Input | Transmit data Bit 0 in MII mode |
| 25 | VDDD | Power | 3.3 V Power Supply |
| 26 | TXD1 | Input | Transmit data Bit 1 in MII mode |
| 27 | TXT2 | Input | Transmit data Bit 2 in MII mode |
| 28 | TXD3 | Input | Transmit data Bit 3 in MII mode |
| 29 | REFOUT | Output | 25 MHz crystal output, floating if clock is used on REFIN. |
| 30 | REFIN | Input | 25 MHz crystal (or clock) input in MII mode. |

| Pin Number | Pin Name | Pin Type ¹ | Pin Description |
|------------|-------------|-----------------------|---|
| 31 | P0/LED0 | IO | PHY address Bit 0 as input (during power on reset/hardware reset) and LED # 0 (function configurable, default is "activity/no activity") as output |
| 32 | P1/ISO/LED1 | IO | PHY address Bit 1 as input (during power on reset/hardware reset) and LED # 1 (function configurable, default is "10/100 mode") as output; After latch, alternates as a real time receiver isolation input. |
| PADDLE | VSS | Ground | Connect to ground. |

Notes:

1. AIO: Analog input/output PAD.

IO: Digital input/output.

IN/Ipu: Digital input with internal 20k pull-up.

IN/Ipd: Digital input with internal 20k pull-down.

IO/Ipu: Digital input/output with internal 20k pull-up.

IO/Ipd: Digital input/output with internal 20k pull-down.

2. MII Rx Mode: The RXD[3..0] bits are synchronous with RXCLK. When RXDV is asserted, RXD[3..0] presents valid data to MAC on the MII interface. RXD[3..0] is invalid when RXDV is de-asserted.

3. MII Tx Mode: The TXD[3..0] bits are synchronous with TXCLK. When TXEN is asserted, TXD[3..0] presents valid data from the MAC on the MII interface. TXD[3..0] has no effect when TXEN is de-asserted.

Strapping Options

| Pin Number | Pin Name | Pin Type ¹ | Pin Function |
|------------|--------------------|-----------------------|--|
| 14 | AMDIX/RXD3 | IO/lpu | 1 = AMDIX enable 0 = AMDIX disable |
| 15 | P3/RXD2 | IO/lpd | The PHY address is set by P[3:0] at power-on reset. P0 and P1 must have external pull-up or pull-down to set address at start up. P2 is internally tied to ground. |
| 31 | P0/LED0 | IO | |
| 32 | P1/ISO/LED1 | IO | |
| 16 | RXTRI/RXD1 | IO/lpd | 1 = Real time receiver isolation function enable ³ ; 0 = Receiver Tristate Disable |
| 17 | FDPX/RXD0 | IO/lpu | 1=Full duplex 0=Half duplex Ignored if Auto negotiation is enabled |
| 18 | RXDV | IO/lpd | 1 = mode not supported 0 = MII mode |
| 20 | ANSEL/RXCLK | IO/lpu | 1=Enable auto negotiation 0=Disable auto negotiation |
| 21 | NOD/RXER | IO/lpd | 0=Node mode 1=repeater mode (mode not supported) |
| 22 | SPEED/TXCLK | IO/lpu | 1=100M mode 0=10M mode Ignored if Auto negotiation is enabled |

1. IO/lpu = Digital Input with internal 20k pull-up during power on reset/hardware reset; output pin otherwise.
2. IO/lpd = Digital Input with internal 20k pull-down during power on reset/hardware reset; output pin otherwise.
3. If RXTRI/RXD1 pin is latched high during power on reset/hardware reset, P1/ISO/LED1 functions as RX real time isolation control input after latch and LED1 function will be disabled.

Functional Description

The ICS1894-34 is an ethernet PHYceiver. During data transmission, it accepts sequential nibbles/di-bits from the MAC (Media Access Control), converts them into a serial bit stream, encodes them, and transmits them over the medium through an external isolation transformer. When receiving data, the ICS1894-34 converts and decodes a serial bit stream (acquired from an isolation transformer that interfaces with the medium) into sequential nibbles/di-bits. It subsequently presents these nibbles/di-bits to the MAC Interface.

The ICS1894-34 implements the OSI model's physical layer, consisting of the following, as defined by the ISO/IEC 8802-3 standard:

- Physical Coding sublayer (PCS)
- Physical Medium Attachment sublayer (PMA)
- Physical Medium Dependent sublayer (PMD)
- Auto-Negotiation sublayer

The ICS1894-34 is transparent to the next layer of the OSI model, the link layer. The link layer has two sublayers: the Logical Link Control sublayer and the MAC sublayer. The ICS1894-34 can interface directly with the MAC via MII interface signals.

The ICS1894-34 transmits framed packets acquired from its MAC Interface and receives encapsulated packets from another PHY, which it translates and presents to its MAC Interface.

Note: As per the ISO/IEC standard, the ICS1894-34 does not affect, nor is it affected by, the underlying structure of the MAC frame it is conveying.

100Base-TX Operation

During 100Base-TX data transmission, the ICS1894-34 accepts packets from the MAC and inserts Start-of-Stream Delimiters (SSDs) and End-of-Stream Delimiters (ESDs) into the data stream. The ICS1894-34 encapsulates each MAC frame, including the preamble, with an SSD and an ESD. As per the ISO/IEC Standard, the ICS1894-34 replaces the first octet of each MAC preamble with an SSD and appends an ESD to the end of each MAC frame.

When receiving data from the medium, the ICS1894-34 removes each SSD and replaces it with the pre-defined preamble pattern before presenting the data on the MAC Interface. When the ICS1894-34 encounters an ESD in the received data stream, signifying the end of the frame, it ends

the presentation of data on the MAC Interface. Therefore, the local MAC receives an unaltered copy of the transmitted frame sent by the remote MAC.

During periods when MAC frames are being neither transmitted nor received, the ICS1894-34 signals and detects the IDLE condition on the Link Segment. In the 100Base-TX mode, the ICS1894-34 transmit channel sends a continuous stream of scrambled ones to signify the IDLE condition. Similarly, the ICS1894-34 receive channel continually monitors its data stream and looks for a pattern of scrambled ones. The results of this signaling and monitoring provide the ICS1894-34 with the means to establish the integrity of the Link Segment between itself and its remote link partner and inform its Station Management Entity (SME) of the link status.

10Base-T Operation

During 10Base-T data transmission, the ICS1894-34 inserts only the IDL delimiter into the data stream. The ICS1894-34 appends the IDL delimiter to the end of each MAC frame. However, since the 10Base-T preamble already has a Start-of-Frame delimiter (SFD), it is not required that the ICS1894-34 insert an SSD-like delimiter.

When receiving data from the medium (such as a twisted-pair cable), the ICS1894-34 uses the preamble to synchronize its receive clock. When the ICS1894-34 receive clock establishes lock, it presents the preamble nibbles to the MAC Interface.

In 10M operations, during periods when MAC frames are being neither transmitted nor received, the ICS1894-34 signals and detects Normal Link Pulses. This action allows the integrity of the Link Segment with the remote link partner to be established and then reported to the ICS1894-34's SME.

Auto-Negotiation

The ICS1894-34 conforms to the auto-negotiation protocol, defined in Clause 28 of the IEEE 802.3u specification. Autonegotiation is enabled by either hardware pin strapping (pin 20) or software (register 0h bit 12).

Auto-negotiation allows link partners to select the highest common mode of operation. Link partners advertise their capabilities to each other, and then compare their own capabilities with those they received from their link partners. The highest speed and duplex setting that is common to the two link partners is selected as the mode of operation.

The following list shows the speed and duplex operation mode from highest to lowest.

- Priority 1: 100Base-TX, full-duplex
- Priority 2: 100Base-TX, half-duplex
- Priority 3: 10Base-T, full-duplex
- Priority 4: 10Base-T, half-duplex

If auto-negotiation is not supported or the ICS1894-34 link partner is forced to bypass auto-negotiation, the ICS1894-34 sets its operating mode by observing the signal at its receiver. This is known as parallel detection, and allows the ICS1894-34 to establish link by listening for a fixed signal protocol in the absence of auto-negotiation advertisement protocol.

MII Management (MIIM) Interface

The ICS1894-34 supports the IEEE 802.3 MII Management Interface, also known as the Management Data Input / Output (MDIO) Interface. This interface allows upper-layer devices to monitor and control the state of the ICS1894-34. An external device with MIIM capability is used to read the PHY status and/or configure the PHY settings. Additional details on the MIIM interface can be found in Clause

22.2.4.5 of the IEEE 802.3u Specification.

The MIIM interface consists of the following:

- A physical connection that incorporates the clock line (MDC) and the data line (MDIO).
- A specific protocol that operates across the aforementioned physical connection that allows an external controller to communicate with one or more ICS1894-34 devices. Each ICS1894-34 device is assigned a PHY address between 1 and 7 by the P[4:0] strapping pins. P3 and P4 address bits are hardcoded to '0' in design.
- An internal addressable set of thirty-one 8-bit MDIO registers. Register [0:6] are required, and their functions are defined by the IEEE 802.3u Specification. The additional registers are provided for expanded functionality.

The following table shows the MII Management frame format for the ICS1894-34.

MII Management Frame Format

| | Preamble | Start of Frame | Read/Write OP Code | PHY Address Bits [4:0] | REG Address Bits [4:0] | TA | Data Bits [15:0] | Idle |
|-------|----------|----------------|--------------------|------------------------|------------------------|----|------------------|------|
| Read | 32 1's | 01 | 10 | 00AAA | RRRRR | Z0 | DDDDDDDD_DDDDDDD | Z |
| Write | 32 1's | 01 | 01 | 00AAA | RRRRR | 10 | DDDDDDDD_DDDDDDD | Z |

Interrupt (INT)

P2/INT (pin 11) is an optional interrupt signal that is used to inform the external controller that there has been a status update in the ICS1894-34 PHY register. Register 23 shows the status of the various interrupts while register 22 controls the enabling/disabling of the interrupts.

- Contains two distinct groups of signals: one for transmission and the other for reception.

The ICS1894-34 is configured for MII mode upon power-up or hardware reset with the following:

- A 25MHz crystal connected to REFIN, REFOUT (pins 30, 29), or an external 25MHz clock source (oscillator) connected to REFIN

MII Data Interface

The Media Independent Interface (MII) is specified in Clause 22 of the IEEE 802.3u Specification. It provides a common interface between physical layer and MAC layer devices, and has the following key characteristics:

- Supports 10Mbps and 100Mbps data rates.
- Uses a 25MHz reference clock, sourced by the PHY.
- Provides independent 4-bit wide (nibble) transmit and receive data paths.

MII Signal Definition

The following table describes the MII signals. Refer to Clause 22 of the IEEE 802.3u Specification for detailed information.

| MII Signal Name | Direction (with respect to PHY, ICS1894-34 signal) | Direction (with respect to MAC) | Description |
|-----------------|--|------------------------------------|--|
| TXCLK | Output | Input | Transmit Clock (2.5MHz for 10Mbps; 25MHz for 100Mbps) |
| TXEN | Input | Output | Transmit Enable |
| TXD[3:0] | Input | Output | Transmit Data [3:0] |
| RXCLK | Output | Input | Receive Clock (2.5MHz for 10Mbps; 25MHz for 100Mbps) |
| RXDV | Output | Input | Receive Data Valid |
| RXD[3:0] | Output | Input | Receive Data [3:0] |
| RXER | Output | Input, or (not required) | Receive Error |
| CRS | Output | Input | Carrier Sense |
| COL | Output | Input | Collision Detection |

Transmit Clock (TXCLK)

TXCLK is sourced by the PHY. It is a continuous clock that provides the timing reference for TXEN and TXD[3:0]. TXCLK is 2.5MHz for 10Mbps operation and 25MHz for 100Mbps operation.

Transmit Enable (TXEN)

TXEN indicates the MAC is presenting nibbles on TXD[3:0] for transmission. It is asserted synchronously with the first nibble of the preamble and remains asserted while all nibbles to be transmitted are presented on the MII, and is negated prior to the first TXCLK following the final nibble of a frame. TXEN transitions synchronously with respect to TXCLK.

Transmit Data (TXD[3:0])

TXD[3:0] transitions synchronously with respect to TXCLK. When TXEN is asserted, TXD[3:0] are accepted for transmission by the PHY. TXD[3:0] is "00" to indicate idle when TXEN is de-asserted. Values other than "00" on TXD[3:0] while TXEN is de-asserted are ignored by the PHY.

Receive Clock (RXCLK)

RXCLK provides the timing reference for RXDV, RXD[3:0], and RXER.

- In 10Mbps mode, RXCLK is recovered from the line while carrier is active. RXCLK is derived from the PHY's reference clock when the line is idle, or link is down.
- In 100Mbps mode, RXCLK is continuously recovered from the line. If link is down, RXCLK is derived from the PHY's reference clock.

RXCLK is 2.5MHz for 10Mbps operation and 25MHz for 100Mbps operation.

Receive Data Valid (RXDV)

RXDV is driven by the PHY to indicate that the PHY is presenting recovered and decoded nibbles on RXD[3:0].

- In 10Mbps mode, RXDV is asserted with the first nibble of the SFD (Start of Frame Delimiter), and remains asserted until the end of the frame.
- In 100Mbps mode, RXDV is asserted from the first nibble of the preamble to the last nibble of the frame.

RXDV transitions synchronously with respect to RXCLK.

Receive Data (RXD[3:0])

RXD[3:0] transitions synchronously with respect to RXC. For each clock period in which RXDV is asserted, RXD[3:0] transfers a nibble of recovered data from the PHY.

Receive Error (RXER)

RXER is asserted for one or more RXCLK periods to indicate that an error (e.g. a coding error or any error that a PHY is capable of detecting, and that may otherwise be undetectable by the MAC sub-layer) was detected somewhere in the frame presently being transferred from the PHY. RXER transitions synchronously with respect to RXC. While RXDV is de-asserted, RXER has no effect on the MAC.

Carrier Sense (CRS)

CRS is asserted and de-asserted as follows:

- In 10Mbps mode, CRS assertion is based on the reception of valid preambles. CRS de-assertion is based on the reception of an end-of-frame (EOF) marker.
- In 100Mbps mode, CRS is asserted when a start-of-stream delimiter, or /J/K symbol pair is detected. CRS is deasserted when an end-of-stream delimiter, or /T/R symbol pair is detected. Additionally, the PMA layer de-asserts CRS if IDLE symbols are received without /T/R.

Collision (COL)

COL is asserted in half-duplex mode whenever the transmitter and receiver are simultaneously active on the line. This is used to inform the MAC that a collision has occurred during its transmission to the PHY.

COL transitions asynchronously with respect to TXCLK and RXCLK.

Auto-MDI/MDIX Crossover

The ICS1894-34 includes the auto-MDI/MDIX crossover feature. In a typical CAT 5 Ethernet installation the transmit twisted pair signal pins of the RJ45 connector are crossed over in the CAT 5 wiring to the partners receive twisted pair signal pins and receive twisted pair to the partners transmit twisted pair. This is usually accomplished in the wiring plant. Hubs generally wire the RJ45 connector crossed to accomplish the crossover. Two types of CAT 5 cables (straight and crossed) are available to achieve the correct connection. The Auto-MDI/MDIX feature automatically corrects for miss-wired installations by automatically swapping transmit and receive signal pairs at the PHY when no link results. Auto-MDI/MDIX is automatic, but may be disabled for test purposes by writing MDIO register 19 Bits 9:8 in the MDIO register. The Auto-MDI/MDIX function is independent of Auto-Negotiation and precedes Auto-Negotiation when enabled.

Auto MDI/MDIX Table

| AMDIX_EN (pin 14) | AMDIX_EN [Reg 19:9] | MDI_MODE [Reg 19:8] | Tx/Rx MDI Configuration |
|-------------------|---------------------|---------------------|------------------------------|
| x | 0 | 0 | straight |
| x | 0 | 1 | cross |
| 0 | 1 | x | straight |
| 1 | 1 | x | straight/cross (auto select) |
| Default | | | |
| 1 | 1 | 0 | straight/cross (auto select) |

Definitions:

straight transmit = TP_AP & TP_AN
receive = TP_BP & TP_BN

cross transmit = TP_BP & TP_BN
receive = TP_AP & TP_AN

AMDIX_EN (Pin 14) AMDIX enable pin with 20 kOhm pull-up resistor

AMDIX_EN [19:9] MDIO register 19h bit 9

MDI_MODE [19:8] MDIO register 19h bit 8

Power Management

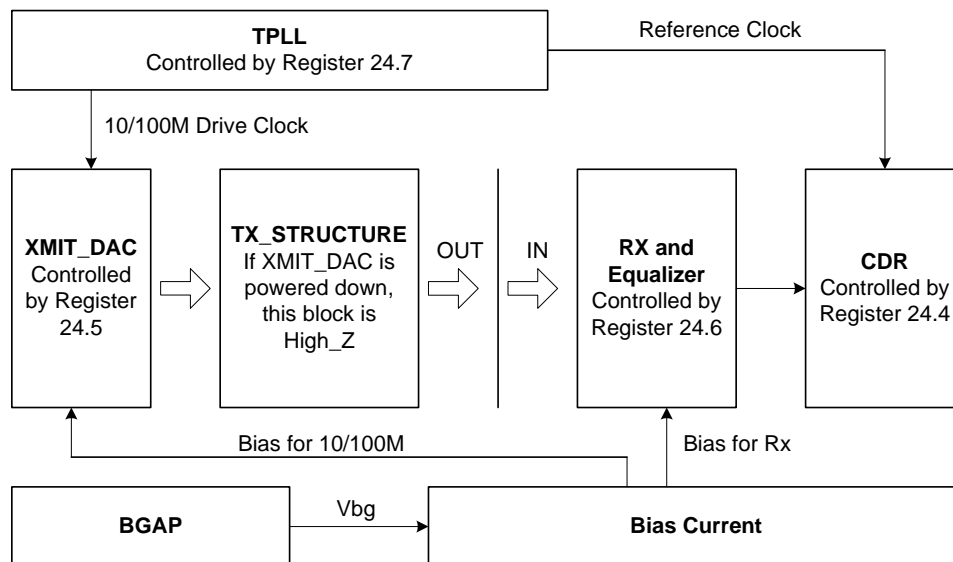
The ICS1894-34 supports a Deep Power Mode (DPD) that is enabled under the following conditions:

1. The Phy is not Receiving any signal from the partner (Link Down)
2. The MAC is not transmitting data to the Phy (TXEN Low)

Once the above conditions are met, the Phy goes into DPD mode after 32s (typical).

The logic internal to the device can be selectively shut down in DPD mode depending on Register 24 Bits 8-4.

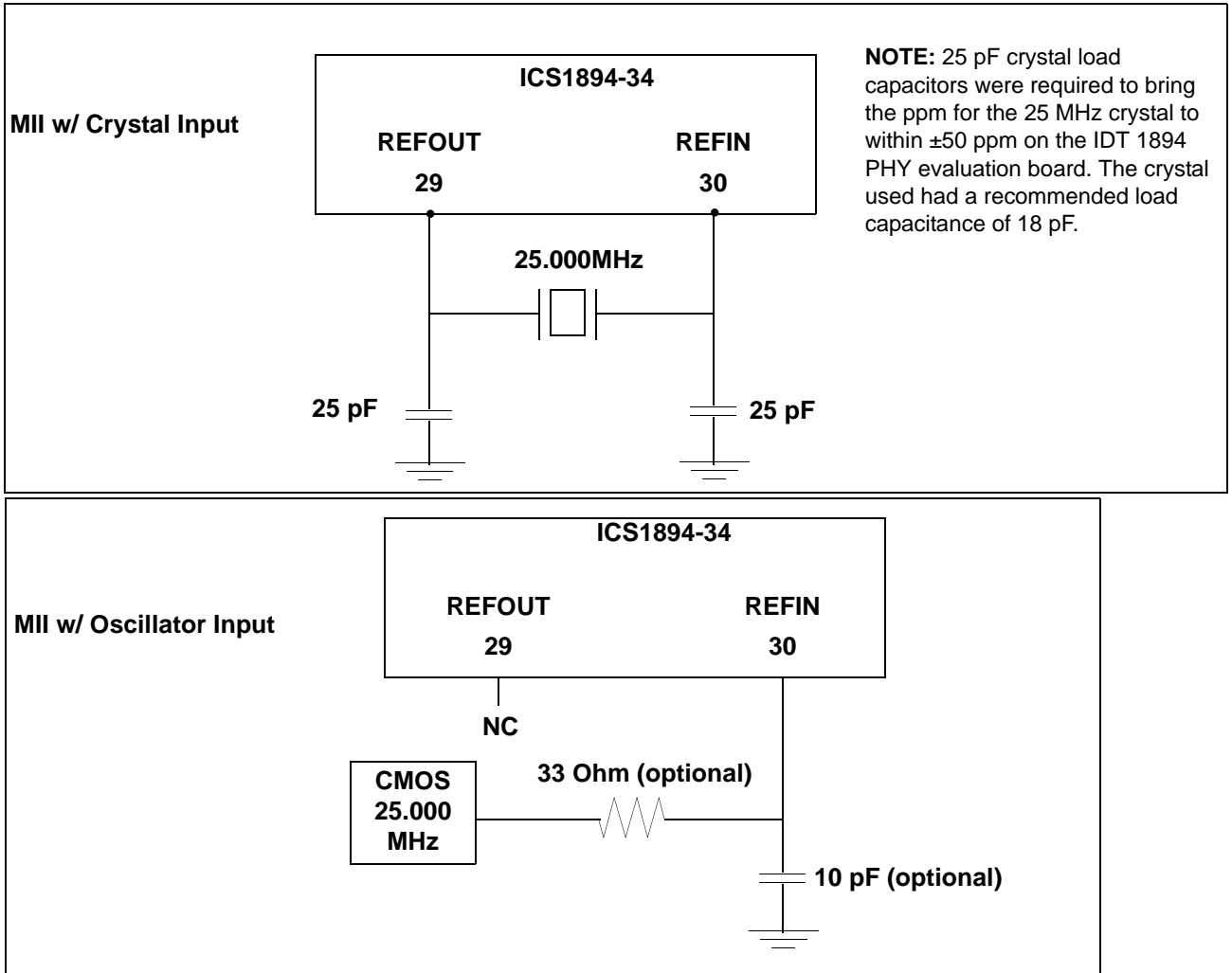
Block Diagram of the Different Sections of the PHY as Affected by Register 24 bits



Clock Reference Interface

The REFIN pin provides the ICS1894-34 Clock Reference Interface. The ICS1894-34 requires a single clock reference with a frequency of 25 MHz \pm 50 parts per million. This accuracy is necessary to meet the interface requirements of the ISO/IEEE 8802-3 standard, specifically clauses 22.2.2.1 and 24.2.3.4. The ICS1894-34 supports two clock source configurations: a CMOS oscillator or a CMOS driver. The input to REFIN is CMOS (10% to 90% VDD), not TTL. Alternately, a 25MHz crystal may be used.

Crystal or Oscillator Connection



If a crystal is used as the clocking source, connect it to both the REFIN (pin 30) and REFOUT (pin 29) pins of the ICS1894-34. A pair of bypass capacitors on either side of the crystal are connected to ground. The crystal is used in the parallel resonance or anti-resonance mode. The value of the load caps serve to adjust the final frequency of the crystal oscillation. Typical applications would use 25 pF load caps. The exact value will be affected by the board routing capacitance on REFIN and REFOUT pins. Smaller load capacitors raise the frequency of oscillation.

Once the exact value of load capacitance is established it will be the same for all boards using the same specification crystal. The best way to measure the crystal frequency is to measure the frequency of TXCLK (pin 22) using a frequency counter with a 1 second gate time. Using the buffered output TXCLK prevents the crystal frequency from being affected by the measurement. The crystal specification is shown in the *25MHz Crystal Specification* table.

25 MHz Crystal Specification Table

| Specifications | Symbol | Minimum | Typical | Maximum | Unit |
|-----------------------|--------------|----------|----------|----------|------|
| Fundamental Frequency | F0 | 24.99875 | 25.00000 | 25.00125 | MHz |
| Freq. Tolerance | $\Delta F/f$ | | | ± 50 | ppm |
| Input Capacitance | Cin | | 3 | | pF |

25 MHz Oscillator Specification table

| Specifications | Symbol | Minimum | Typical | Maximum | Unit |
|------------------------------------|--------------|----------|----------|----------|-------|
| Output Frequency | F0 | 24.99875 | 25.00000 | 25.00125 | MHz |
| Freq. Stability (including aging) | $\Delta F/f$ | | | ± 50 | ppm |
| Duty cycle CMOS level one-half VDD | Tw/T | 35 | | 65 | % |
| VIH | | 2.79 | | | Volts |
| VIL | | | | 0.33 | Volts |

Status Interface

The ICS1894-34 has two multi-function configuration pins that report the PHY status by providing signals that are intended for driving LEDs. Configuration is set by Bank0 Register 20.

Pins for Monitoring the Data Link table

| Pin | Status Events that drive the LEDs |
|-------------|---|
| P0/LED0 | Link, Activity, Tx, Rx, COL, Mode, Dplx |
| P1/ISO/LED1 | Link, Activity, Tx, Rx, COL, Mode, Dplx |

Note:

1. During either power-on reset or hardware reset, each multi-function configuration pin is an input that is sampled when the ICS1894-34 exits the reset state. After sampling is complete, these pins are output pins that can drive status LEDs.
2. A software reset does not affect the state of a multi-function configuration pin. During a software reset, all multi-function configuration pins are outputs.
3. Each multi-function configuration pin must be pulled either up or down with a resistor to establish the address of the ICS1894-34. LEDs may be placed in series with these

resistors to provide a designated status indicator as described in the *Pins for Monitoring the Data Link* table. Use 1K Ω resistors.

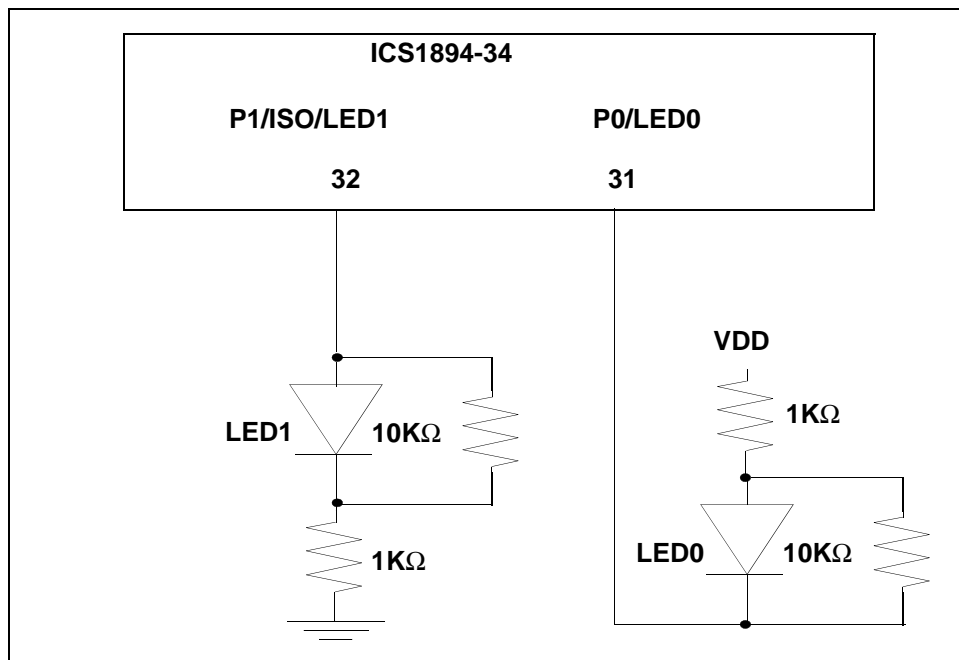
Caution: Pins listed in the *Pins for Monitoring the Data Link* table must not float.

4. As outputs, the asserted state of a multi-function configuration pin is the inverse of the sense sampled during reset. This inversion provides a signal that can illuminate an LED during an asserted state. For example, if a multi-function configuration pin is pulled down to ground through an LED and a current-limiting resistor, then the sampled sense of the input is low. To illuminate this LED for the asserted state, the output is driven high.

5. Adding 10K Ω resistors across the LEDs ensures the PHY address is fully defined during slow VDD power-ramp conditions.

6. PHY address 00 tri-states the MII interface. (Do not select PHY address 00 unless you want the MII tri-stated.)

The following figure shows typical biasing and LED connections for the ICS1894-34.



The above circuit decodes the PHY address = 1

Register Map

| Register Address | Register Name | Basic / Extended |
|------------------|---|------------------|
| 0 | Control | Basic |
| 1 | Status | Basic |
| 2,3 | PHY Identifier | Extended |
| 4 | Auto-Negotiation Advertisement | Extended |
| 5 | Auto-Negotiation Link Partner Ability | Extended |
| 6 | Auto-Negotiation Expansion | Extended |
| 7 | Auto-Negotiation Next Page Transmit | Extended |
| 8 | Auto-Negotiation Next Page Link Partner Ability | Extended |
| 9 through 15 | Reserved by IEEE | Extended |
| 16 through 31 | Vendor-Specific (IDT) Registers | Extended |

Register Description

| Bit | Definition | When Bit = 0 | When Bit = 1 | Access ² | SF ² | Default ³ | Hex |
|-----------------------------|---------------------------|--------------------------|--------------------------|---------------------|-----------------|----------------------|------|
| Register 0 - Control | | | | | | | |
| 0.15 | Reset | No effect | Reset mode | RW | SC | 0 | 3 |
| 0.14 | Loopback enable | Disable Loopback mode | Enable Loopback mode | RW | – | 0 | |
| 0.13 | Speed select ¹ | 10 Mbps operation | 100 Mbps operation | RW | – | 1 | |
| 0.12 | Auto-Negotiation enable | Disable Auto-Negotiation | Enable Auto-Negotiation | RW | – | 1 | |
| 0.11 | Low-power mode | Normal power mode | Low-power mode | RW | – | 0 | 1/5‡ |
| 0.10 | Isolate | No effect | Isolate from MII | RW | – | 0/1‡ | |
| 0.9 | Auto-Negotiation restart | No effect | Restart Auto-Negotiation | RW | SC | 0 | |
| 0.8 | Duplex mode | Half-duplex operation | Full-duplex operation | RW | – | 1 | |
| 0.7 | — | — | — | RW | – | 0 | 0 |
| 0.6 | IEEE reserved | Always 0 | N/A | RO | – | 0† | |
| 0.5 | IEEE reserved | Always 0 | N/A | RO | – | 0† | |
| 0.4 | IEEE reserved | Always 0 | N/A | RO | – | 0† | |
| 0.3 | IEEE reserved | Always 0 | N/A | RO | – | 0† | 0 |
| 0.2 | IEEE reserved | Always 0 | N/A | RO | – | 0† | |
| 0.1 | IEEE reserved | Always 0 | N/A | RO | – | 0† | |
| 0.0 | IEEE reserved | Always 0 | N/A | RO | – | 0† | |

| Bit | Definition | When Bit = 0 | When Bit = 1 | Access ² | SF ² | Default ³ | Hex |
|------------------------------------|---------------------------|--|--|---------------------|-----------------|----------------------|-----|
| Register 1 - Control | | | | | | | |
| 1.15 | 100Base-T4 | Always 0. (Not supported.) | N/A | RO | – | 0 | 7 |
| 1.14 | 100Base-TX full duplex | Mode not supported | Mode supported | CW | – | 1 | |
| 1.13 | 100Base-TX half duplex | Mode not supported | Mode supported | CW | – | 1 | |
| 1.12 | 10Base-T full duplex | Mode not supported | Mode supported | CW | – | 1 | |
| 1.11 | 10Base-TX half duplex | Mode not supported | Mode supported | CW | – | 1 | 8 |
| 1.10 | IEEE reserved | Always 0 | N/A | CW | – | 0† | |
| 1.9 | IEEE reserved | Always 0 | N/A | CW | – | 0† | |
| 1.8 | IEEE reserved | Always 0 | N/A | CW | – | 0† | |
| 1.7 | IEEE reserved | Always 0 | N/A | CW | – | 0† | 0 |
| 1.6 | MF Preamble suppression | PHY requires MF Preambles | PHY does not require MF Preambles | RO | – | 0 | |
| 1.5 | Auto-Negotiation complete | Auto-Negotiation is in process, if enabled | Auto-Negotiation is completed | RO | LH | 0 | |
| 1.4 | Remote fault | No remote fault detected | Remote fault detected | RO | LH | 0 | |
| 1.3 | Auto-Negotiation ability | N/A | Always 1: PHY has Auto-Negotiation ability | RO | – | 1 | 9 |
| 1.2 | Link status | Link is invalid/down | Link is valid/established | RO | LL | 0 | |
| 1.1 | Jabber detect | No jabber condition | Jabber condition detected | RO | LH | 0 | |
| 1.0 | Extended capability | N/A | Always 1: PHY has extended capabilities | RO | – | 1 | |
| Register 2 - PHY Identifier | | | | | | | |
| 2.15 | OUI bit 3 c | N/A | N/A | CW | – | 0 | 0 |
| 2.14 | OUI bit 4 d | N/A | N/A | CW | – | 0 | |
| 2.13 | OUI bit 5 e | N/A | N/A | CW | – | 0 | |
| 2.12 | OUI bit 6 f | N/A | N/A | CW | – | 0 | |
| 2.11 | OUI bit 7 g | N/A | N/A | CW | – | 0 | 0 |
| 2.10 | OUI bit 8 h | N/A | N/A | CW | – | 0 | |
| 2.9 | OUI bit 9 i | N/A | N/A | CW | – | 0 | |
| 2.8 | OUI bit 10 j | N/A | N/A | CW | – | 0 | |
| 2.7 | OUI bit 11 k | N/A | N/A | CW | – | 0 | 1 |
| 2.6 | OUI bit 12 l | N/A | N/A | CW | – | 0 | |
| 2.5 | OUI bit 13 m | N/A | N/A | CW | – | 0 | |
| 2.4 | OUI bit 14 n | N/A | N/A | CW | – | 1 | |

| Bit | Definition | When Bit = 0 | When Bit = 1 | Access ² | SF ² | Default ³ | Hex |
|--|-----------------------------------|-----------------------------|----------------------|---------------------|-----------------|----------------------|-----|
| 2.3 | OUI bit 15 o | N/A | N/A | CW | – | 0 | 5 |
| 2.2 | OUI bit 16 p | N/A | N/A | CW | – | 1 | |
| 2.1 | OUI bit 17 q | N/A | N/A | CW | – | 0 | |
| 2.0 | OUI bit 18 r | N/A | N/A | CW | – | 1 | |
| Register 3 - PHY Identifier | | | | | | | |
| 3.15 | OUI bit 19 s | N/A | N/A | CW | – | 1 | F |
| 3.14 | OUI bit 20 t | N/A | N/A | CW | – | 1 | |
| 3.13 | OUI bit 21 u | N/A | N/A | CW | – | 1 | |
| 3.12 | OUI bit 22 v | N/A | N/A | CW | – | 1 | |
| 3.11 | OUI bit 23 w | N/A | N/A | CW | – | 0 | 4 |
| 3.10 | OUI bit 24 x | N/A | N/A | CW | – | 1 | |
| 3.9 | Manufacturer's Model Number bit 5 | N/A | N/A | CW | – | 0 | 5 |
| 3.8 | Manufacturer's Model Number bit 4 | N/A | N/A | CW | – | 0 | |
| 3.7 | Manufacturer's Model Number bit 3 | N/A | N/A | CW | – | 0 | |
| 3.6 | Manufacturer's Model Number bit 2 | N/A | N/A | CW | – | 1 | |
| 3.5 | Manufacturer's Model Number bit 1 | N/A | N/A | CW | – | 0 | |
| 3.4 | Manufacturer's Model Number bit 0 | N/A | N/A | CW | – | 1 | 0 |
| 3.3 | Revision Number bit 3 | N/A | N/A | CW | – | 0 | |
| 3.2 | Revision Number bit 2 | N/A | N/A | CW | – | 0 | |
| 3.1 | Revision Number bit 1 | N/A | N/A | CW | – | 0 | |
| 3.0 | Revision Number bit 0 | N/A | N/A | CW | – | 0 | |
| Register 4 - Auto-Negotiation Advertisement | | | | | | | |
| 4.15 | Next Page | Next page not supported | Next page supported | R/W | – | 0 | 0 |
| 4.14 | IEEE reserved | Always 0 | N/A | CW | – | 0† | |
| 4.13 | Remote fault | Locally, no faults detected | Local fault detected | R/W | – | 0 | |
| 4.12 | IEEE reserved | Always 0 | N/A | CW | – | 0† | |
| 4.11 | IEEE reserved | Always 0 | N/A | CW | – | 0† | 1 |
| 4.10 | IEEE reserved | Always 0 | N/A | CW | – | 0† | |
| 4.9 | 100Base-T4 | Always 0. (Not supported.) | N/A | CW | – | 0 | |
| 4.8 | 100Base-TX, full duplex | Do not advertise ability | Advertise ability | R/W | – | 1 | |

| Bit | Definition | When Bit = 0 | When Bit = 1 | Access ² | SF ² | Default ³ | Hex |
|---|-------------------------|-------------------------------|-------------------------------|---------------------|-----------------|----------------------|-----|
| 4.7 | 100Base-T, half duplex | Do not advertise ability | Advertise ability | R/W | – | 1 | E |
| 4.6 | 10Base-T, full duplex | Do not advertise ability | Advertise ability | R/W | – | 1 | |
| 4.5 | 10Base-T, half duplex | Do not advertise ability | Advertise ability | R/W | – | 1 | |
| 4.4 | Selector Field bit S4 | IEEE 802.3-specified default | N/A | CW | – | 0 | |
| 4.3 | Selector Field bit S3 | IEEE 802.3-specified default | N/A | CW | – | 0 | 1 |
| 4.2 | Selector Field bit S2 | IEEE 802.3-specified default | N/A | CW | – | 0 | |
| 4.1 | Selector Field bit S1 | IEEE 802.3-specified default | N/A | CW | – | 0 | |
| 4.0 | Selector Field bit S0 | N/A | IEEE 802.3-specified default | CW | – | 1 | |
| Register 5 - Auto-Negotiation Link Partner Ability | | | | | | | |
| 5.15 | Next Page | Next Page disabled | Next Page enabled | RO | – | 0 | 0 |
| 5.14 | Acknowledge | Always 0 | N/A | RO | – | 0 | |
| 5.13 | Remote fault | No faults detected | Remote fault detected | RO | – | 0 | |
| 5.12 | IEEE reserved | Always 0 | N/A | RO | – | 0† | |
| 5.11 | IEEE reserved | Always 0 | N/A | RO | – | 0† | 0 |
| 5.10 | IEEE reserved | Always 0 | N/A | RO | – | 0† | |
| 5.9 | 100Base-T4 | Always 0. (Not supported.) | N/A | RO | – | 0 | |
| 5.8 | 100Base-TX, full duplex | Link partner is not capable | Link partner is capable | RO | – | 0 | |
| 5.7 | 100Base-TX, half duplex | Link partner is not capable | Link partner is capable | RO | – | 0 | 0 |
| 5.6 | 10Base-T, full duplex | Link partner is not capable | Link partner is capable | RO | – | 0 | |
| 5.5 | 10Base-T, half duplex | Link partner is not capable | Link partner is capable | RO | – | 0 | |
| 5.4 | Selector Field bit S4 | IEEE 802.3 defined. Always 0. | N/A | RO | – | 0 | |
| 5.3 | Selector Field bit S3 | IEEE 802.3 defined. Always 0. | N/A | CW | – | 0 | 0 |
| 5.2 | Selector Field bit S2 | IEEE 802.3 defined. Always 0. | N/A | CW | – | 0 | |
| 5.1 | Selector Field bit S1 | IEEE 802.3 defined. Always 0. | N/A | CW | – | 0 | |
| 5.0 | Selector Field bit S0 | N/A | IEEE 802.3 defined. Always 1. | CW | – | 0 | |

| Bit | Definition | When Bit = 0 | When Bit = 1 | Access ² | SF ² | Default ³ | Hex |
|---|--|---|---|---------------------|-----------------|----------------------|-----|
| Register 6 - Auto-Negotiation Expansion | | | | | | | |
| 6.15 | IEEE reserved | Always 0 | N/A | CW | – | 0† | 0 |
| 6.14 | IEEE reserved | Always 0 | N/A | CW | – | 0† | |
| 6.13 | IEEE reserved | Always 0 | N/A | CW | – | 0† | |
| 6.12 | IEEE reserved | Always 0 | N/A | CW | – | 0† | |
| 6.11 | IEEE reserved | Always 0 | N/A | CW | – | 0† | 0 |
| 6.10 | IEEE reserved | Always 0 | N/A | CW | – | 0† | |
| 6.9 | IEEE reserved | Always 0 | N/A | CW | – | 0† | |
| 6.8 | IEEE reserved | Always 0 | N/A | CW | – | 0† | |
| 6.7 | IEEE reserved | Always 0 | N/A | CW | – | 0† | 0 |
| 6.6 | IEEE reserved | Always 0 | N/A | CW | – | 0† | |
| 6.5 | IEEE reserved | Always 0 | N/A | CW | – | 0† | |
| 6.4 | Parallel detection fault | No Fault | Multiple technologies detected | RO | LH | 0 | |
| 6.3 | Link partner Next Page able | Link partner is not Next Page able | Link partner is Next Page able | RO | – | 0 | 4 |
| 6.2 | Next Page able | Local device is not Next Page able | Local device is Next Page able | RO | – | 1 | |
| 6.1 | Page received | Next Page not received | Next Page received | RO | LH | 0 | |
| 6.0 | Link partner Auto-Negotiation able | Link partner is not Auto-Negotiation able | Link partner is Auto-Negotiation able | RO | – | 0 | |
| Register 7 - Auto-Negotiation Next Page Transmit | | | | | | | |
| 7.15 | Next Page | Last Page | Additional Pages follow | RW | – | 0 | 2 |
| 7.14 | IEEE reserved | Always 0 | N/A | RO | – | 0† | |
| 7.13 | Message Page | Unformatted Page | Message Page | RW | – | 1 | |
| 7.12 | Acknowledge 2 | Cannot comply with Message | Can comply with Message | RW | – | 0 | |
| 7.11 | Toggle | Previous Link Code Word was zero | Previous Link Code Word was one | RO | – | 0 | 0 |
| 7.10 | Message code field /Unformatted code field | Bit value depends on the particular message | Bit value depends on the particular message | RW | – | 0 | |
| 7.9 | Message code field /Unformatted code field | Bit value depends on the particular message | Bit value depends on the particular message | RW | – | 0 | |
| 7.8 | Message code field /Unformatted code field | Bit value depends on the particular message | Bit value depends on the particular message | RW | – | 0 | |

| Bit | Definition | When Bit = 0 | When Bit = 1 | Access ² | SF ² | Default ³ | Hex |
|---|---|---|---|---------------------|-----------------|----------------------|-----|
| 7.7 | Message code field /Unformatted code field | Bit value depends on the particular message | Bit value depends on the particular message | RW | – | 0 | 0 |
| 7.6 | Message code field /Unformatted code field | Bit value depends on the particular message | Bit value depends on the particular message | RW | – | 0 | |
| 7.5 | Message code field /Unformatted code field | Bit value depends on the particular message | Bit value depends on the particular message | RW | – | 0 | |
| 7.4 | Message code field /Unformatted code field | Bit value depends on the particular message | Bit value depends on the particular message | RW | – | 0 | |
| 7.3 | Message code field /Unformatted code field | Bit value depends on the particular message | Bit value depends on the particular message | RW | – | 0 | 1 |
| 7.2 | Message code field /Unformatted code field | Bit value depends on the particular message | Bit value depends on the particular message | RW | – | 0 | |
| 7.1 | Message code field /Unformatted code field | Bit value depends on the particular message | Bit value depends on the particular message | RW | – | 0 | |
| 7.0 | Message code field /Unformatted code field | Bit value depends on the particular message | Bit value depends on the particular message | RW | – | 1 | |
| Register 8 - Auto-Negotiation Next Page Link Partner Ability | | | | | | | |
| 8.15 | Next Page | Last Page | Additional Pages follow | RO | – | 0 | 0 |
| 8.14 | IEEE reserved | Always 0 | N/A | RO | – | 0† | |
| 8.13 | Message Page | Unformatted Page | Message Page | RO | – | 0 | |
| 8.12 | Acknowledge 2 | Cannot comply with Message | Can comply with Message | RO | – | 0 | |
| 8.11 | Toggle | Previous Link Code Word was zero | Previous Link Code Word was one | RO | – | 0 | 0 |
| 8.10 | Message code field /Unformatted code field | Bit value depends on the particular message | Bit value depends on the particular message | RO | – | 0 | |
| 8.9 | Message code field /Unformatted code field | Bit value depends on the particular message | Bit value depends on the particular message | RO | – | 0 | |
| 8.8 | Message code field /Unformatted code field | Bit value depends on the particular message | Bit value depends on the particular message | RO | – | 0 | |
| 8.7 | Message code field /Unformatted code field | Bit value depends on the particular message | Bit value depends on the particular message | RO | – | 0 | 0 |
| 8.6 | Message code field /Unformatted code field | Bit value depends on the particular message | Bit value depends on the particular message | RO | – | 0 | |
| 8.5 | Message code field /Unformatted code field | Bit value depends on the particular message | Bit value depends on the particular message | RO | – | 0 | |
| 8.4 | Message code field /Unformatted code field | Bit value depends on the particular message | Bit value depends on the particular message | RO | – | 0 | |

| Bit | Definition | When Bit = 0 | When Bit = 1 | Access ² | SF ² | Default ³ | Hex |
|--|--|---|---|---------------------|-----------------|----------------------|-----|
| 8.3 | Message code field /Unformatted code field | Bit value depends on the particular message | Bit value depends on the particular message | RO | – | 0 | 0 |
| 8.2 | Message code field /Unformatted code field | Bit value depends on the particular message | Bit value depends on the particular message | RO | – | 0 | |
| 8.1 | Message code field /Unformatted code field | Bit value depends on the particular message | Bit value depends on the particular message | RO | – | 0 | |
| 8.0 | Message code field /Unformatted code field | Bit value depends on the particular message | Bit value depends on the particular message | RO | – | 0 | |
| Register 9 through 15 - Reserved by IEEE | | | | | | | |
| Register 16 - Extended Control Register | | | | | | | |
| 16.15 | Command Override Write enable | Disabled | Enabled | RW | SC | 0 | – |
| 16.14 | ICS reserved | Reserved | Reserved | RW/0 | – | 0 | |
| 16.13 | ICS reserved | Reserved | Reserved | RW/0 | – | 0 | |
| 16.12 | ICS reserved | Reserved | Reserved | RW/0 | – | 0 | |
| 16.11 | ICS reserved | Reserved | Reserved | RW/0 | – | 0 | – |
| 16.10 | PHY Address Bit 4 | | | RO | – | 0 | |
| 16.9 | PHY Address Bit 3 | | | RO | – | 0 | |
| 16.8 | PHY Address Bit 2 | | | RO | – | L | |
| 16.7 | PHY Address Bit 1 | | | RO | – | L | – |
| 16.6 | PHY Address Bit 0 | | | RO | – | L | |
| 16.5 | Stream Cipher Test Mode | Normal operation | Test mode | RW | – | 0 | 8 |
| 16.4 | ICS reserved | Reserved | Reserved | RW/0 | – | – | |
| 16.3 | NRZ/NRZI encoding | NRZ encoding | NRZI encoding | RW | – | 1 | |
| 16.2 | Transmit invalid codes | Disabled | Enabled | RW | – | 0 | |
| 16.1 | ICS reserved | Reserved | Reserved | RW/0 | – | 0 | 0 |
| 16.0 | Stream Cipher disable | Stream Cipher enabled | Stream Cipher disabled | RW | – | 0 | |
| Register 17 - Quick Poll Detailed Status Register | | | | | | | |
| 17.15 | Data rate | 10 Mbps | 100 Mbps | RO | – | – | – |
| 17.14 | Duplex | Half duplex (mode not supported) | Full duplex | RO | – | – | |
| 17.13 | Auto-Negotiation Progress Monitor Bit 2 | Reference Decode Table | Reference Decode Table | RO | LM X | 0 | |
| 17.12 | Auto-Negotiation Progress Monitor Bit 1 | Reference Decode Table | Reference Decode Table | RO | LM X | 0 | |

| Bit | Definition | When Bit = 0 | When Bit = 1 | Access ² | SF ² | Default ³ | Hex | |
|---|---|---|---|---------------------|-----------------|----------------------|-----|---|
| 17.11 | Auto-Negotiation Progress Monitor Bit 0 | Reference Decode Table | Reference Decode Table | RO | LM X | 0 | 0 | |
| 17.10 | 100Base-TX signal lost | Valid signal | Signal lost | RO | LH | 0 | | |
| 17.9 | 100BasePLL Lock Error | PLL locked | PLL failed to lock | RO | LH | 0 | | |
| 17.8 | False Carrier detect | Normal Carrier or Idle | False Carrier | RO | LH | 0 | | |
| 17.7 | Invalid symbol detected | Valid symbols observed | Invalid symbol received | RO | LH | 0 | 0 | |
| 17.6 | Halt Symbol detected | No Halt Symbol received | Halt Symbol received | RO | LH | 0 | | |
| 17.5 | Premature End detected | Normal data stream | Stream contained two IDLE symbols | RO | LH | 0 | | |
| 17.4 | Auto-Negotiation complete | Auto-Negotiation in process | Auto-Negotiation complete | RO | – | 0 | 8 | |
| 17.3 | 100Base-TX signal detect | Signal present | No signal present | RO | – | 1 | | |
| 17.2 | Jabber detect | No jabber detected | Jabber detected | RO | LH | 0 | | |
| 17.1 | Remote fault | No remote fault detected | Remote fault detected | RO | LH | 0 | | |
| 17.0 | Link Status | Link is not valid | Link is valid | RO | LL | 0 | | |
| Register 18 - 10Base-T Operations Register | | | | | | | | |
| 18.15 | Remote Jabber Detect | No Remote Jabber Condition detected | Remote Jabber Condition Detected | RO | LH | 0 | – | |
| 18.14 | Polarity reversed | Normal polarity | Polarity reversed | RO | LH | 0 | | |
| 18.13 | Data Bus Mode | [1x]=not supported [01]=SI mode (Serial interface mode) [00]=MII mode | | R0 | – | – | – | |
| 18.12 | | | | R0 | – | L | | |
| 18.11 | AMDIXEN | AMDIX disable | AMDIX enable | RW | – | L | – | |
| 18.10 | RXTRI | RX output enable | RX tri-state for MII interface | RW | – | L | | |
| 18.9 | REGEN | Vender reserved register access enable | Vender reserved register (byte25~byte31) access disable | RW | – | L | | |
| 18.8 | TM_SWITCH | Switch TMUX2 to TMUX1, test control | | RW | – | 0 | | |
| 18.7 | ICS reserved | Reserved | Reserved | RW/0 | – | – | | |
| 18.6 | ICS reserved | Reserved | Reserved | RW/0 | – | – | | |
| 18.5 | Jabber inhibit | Normal Jabber behavior | Jabber Check disabled | RW | – | 0 | | |
| 18.4 | ICS reserved | Reserved | Reserved | RW/1 | – | 1 | | |
| 18.3 | Auto polarity inhibit | Polarity automatically corrected | Polarity not automatically corrected | RW | – | 0 | | 0 |
| 18.2 | SQE test inhibit | Normal SQE test behavior | SQE test disabled | RW | – | 0 | | |
| 18.1 | Link Loss inhibit | Normal Link Loss behavior | Link Always = Link Pass | RW | – | 0 | | |
| 18.0 | Squelch inhibit | Normal squelch behavior | No squelch | RW | – | 0 | | |

| Bit | Definition | When Bit = 0 | When Bit = 1 | Access ² | SF ² | Default ³ | Hex |
|--|--------------------------------------|---|---|---------------------|-----------------|----------------------|-----|
| Register 19 - Extended Control Register | | | | | | | |
| 19.15 | Node Mode | Node mode | Repeater mode (mode not supported) | RW | – | L | – |
| 19.14 | Hardware/Software Mode Speed Select | Use bit00.13 to select speed | Use real time input pin 22 only to select speed | RW | – | L | |
| 19.13 | Remote Fault | No faults detected | Remote fault detected | RO | – | 0 | |
| 19.12 | Register Bank select | [01]=Bank1, access register0x00~0x13 and ICS1893CF registers 0x14~0x1F [00]=Bank0, access register0x00~0x13, new defined registers 0x14~0x25 [1x]=Bank0, same as [00] | | RW | – | 0 | 2 |
| 19.11 | | | | RW | – | 0 | |
| 19.10 | ICS reserved | Reserved | Reserved | RO | – | 0 | |
| 19.9 | AMDIX_EN | See Table on page 11 | See Table on page 11 | RW | – | 1 | |
| 19.8 | MDI_MODE | See Table on page 11 | See Table on page 11 | RW | – | 0 | |
| 19.7 | Twisted Pair Tri-State Enable, TPTRI | Twisted Pair Signals are not Tri-States or No effect | Twisted Pair Signals are Tri-States | RW | – | 0 | 0 |
| 19.6 | ICS reserved | Reserved | Reserved | RW | – | 0 | |
| 19.5 | ICS reserved | Reserved | Reserved | RW | – | 0 | |
| 19.4 | ICS reserved | Reserved | Reserved | RW | – | 0 | |
| 19.3 | ICS reserved | Reserved | Reserved | RW | – | 0 | 1 |
| 19.2 | ICS reserved | Reserved | Reserved | RW | – | 0 | |
| 19.1 | ICS reserved | Reserved | Reserved | RW | – | 0 | |
| 19.0 | Automatic 100Base-TX Power Down | Do not automatically power down | Power down automatically | RW | – | 1 | |
| Register 20 - Extended Control Register | | | | | | | |
| 20.15 | Str_enhance | Normal digital output strength | Enhance digital output strength in 1.8V condition | RW | | 0 | 3 |
| 20.14 | ICS reserved | Reserved | Reserved | RW | – | 0 | |
| 20.13 | ICS reserved | Reserved | Reserved | RW | – | 1 | |
| 20.12 | | | | | | 1 | |

| Bit | Definition | When Bit = 0 | When Bit = 1 | Access ² | SF ² | Default ³ | Hex |
|--|----------------------------------|--|---|---------------------|-----------------|----------------------|-----|
| 20.11 | ICS reserved | Reserved | Reserved | RW | - | 1 | F |
| 20.10 | | | | | | 1 | |
| 20.9 | | | | | | 1 | |
| 20.8 | ICS reserved | Reserved | Reserved | RW | - | 1 | E |
| 20.7 | | | | | | 1 | |
| 20.6 | | | | | | 1 | |
| 20.5 | LED1 Mode | 000 = Link Integrity 001 = activity/no activity 010 = Transmit Data 011 = Receive Data 100 = Collision 101 = 100/10 mode (Default LED1) 110 = Full Duplex 111 = OFF | | RW | | 1 | 9 |
| 20.4 | | | | | | 0 | |
| 20.3 | | | | | | 1 | |
| 20.2 | | | | | | 0 | |
| 20.1 | LED0 Mode | 000 = Link Integrity 001 = activity/no activity (Default LED0) 010 = Transmit Data 011 = Receive Data 100 = Collision 101 = 100/10 mode 110 = Full Duplex 111 = LINK_STAT | | RW | | 0 | |
| 20.0 | | | | | | 1 | |
| Register 21 - Extended Control Register | | | | | | | |
| 21.15:0 | ICS reserved | Reserved | | RW | - | | 0 |
| Register 22 - Extended Control Register | | | | | | | |
| 22.15 | Interrupt output enable | Disable interrupt output | Enable interrupt output | RW | | 0 | 0 |
| 22.14 | Interrupt flag read clear enable | Interrupt flag clear by read disable | Interrupt flag clear by read enable | RW | | 0 | |
| 22.13 | Interrupt polarity | Output low when interrupt occur | Output high when interrupt occur | RW | | 0 | |
| 22.12 | Interrupt flag auto clear enable | Interrupt flag unchanged when interrupt condition removed | Interrupt flag cleared when interrupt condition removed | RW | | 0 | |
| 22.11 | Interrupt flag re-setup enable | Interrupt flag always cleared when write 1 to flag bit | Interrupt flag remains unchanged when interrupt condition exists when a 1 is written to flag bit. | RW | | 0 | 0 |
| 22.10 | Interrupt Enable | Disable Deep power down wake up Interrupt | Enable Deep power down wake up Interrupt | RW | | 0 | |
| 22.9 | Interrupt Enable | Disable Deep power down Interrupt | Enable Deep power down Interrupt | RW | | 0 | |
| 22.8 | Interrupt Enable | Disable Auto-Negotiation Complete Interrupt | Enable Auto-Negotiation Complete Interrupt | RW | | 0 | |

| Bit | Definition | When Bit = 0 | When Bit = 1 | Access ² | SF ² | Default ³ | Hex |
|--|------------------------------------|--|---|---------------------|-----------------|----------------------|-----|
| 22.7 | Interrupt Enable | Disable Jabber Interrupt | Enable Jabber Interrupt | RW | | 0 | 0 |
| 22.6 | Interrupt Enable | Disable Receive Error Interrupt | Enable Receive Error Interrupt | RW | | 0 | |
| 22.5 | Interrupt Enable | Disable Page Received Interrupt | Enable Page Received Interrupt | RW | | 0 | |
| 22.4 | Interrupt Enable | Disable Parallel Detect Fault Interrupt | Enable Parallel Detect Fault Interrupt | RW | | 0 | |
| 22.3 | Interrupt Enable | Disable Link Partner Acknowledge Interrupt | Enable Link Partner Acknowledge Interrupt | RW | | 0 | 0 |
| 22.2 | Interrupt Enable | Disable Link Down Interrupt | Enable Link Down Interrupt | RW | | 0 | |
| 22.1 | Interrupt | Disable Remote Fault Interrupt | Enable Remote Fault Interrupt | RW | | 0 | |
| 22.0 | Enable | Disable Link Up Interrupt | Enable Link Up Interrupt | RW | | 0 | |
| Register 23 - Extended Control Register | | | | | | | |
| 23.15:11 | Reserved | Reserved | | RO | | 0 | 0 |
| 23.10 | Deep power down wake up Interrupt | Deep power down wake up did not occur | Deep power down wake up occurred | RO/SC | | 0 | 0 |
| 23.9 | Deep power down Interrupt | Deep power down did not occur | Deep power down occurred | RO/SC | | 0 | |
| 23.8 | Auto-Negotiation Interrupt | Auto-Negotiation Complete did not occur | Auto-Negotiation Complete occurred | RO/SC | | 0 | |
| 23.7 | Jabber Interrupt | Jabber did not occur | Jabber occurred | RO/SC | | 0 | |
| 23.6 | Receive Error Interrupt | Receive Error did not occur | Receive Error occurred | RO/SC | | 0 | 0 |
| 23.5 | Page Receive Interrupt | Page Receive did not occur | Page Receive occurred | RO/SC | | 0 | |
| 23.4 | Parallel Detect Fault Interrupt | Parallel Detect Fault did not occur | Parallel Detect Fault occurred | RO/SC | | 0 | |
| 23.3 | Link Partner Acknowledge Interrupt | Link Partner Acknowledge did not occur | Link Partner Acknowledge occurred | RO/SC | | 0 | |
| 23.2 | Link Down Interrupt | Link Down did not occur | Link Down occurred | RO/SC | | 0 | 0 |
| 23.1 | Remote Fault Interrupt | Remote Fault did not occur | Remote Fault occurred | RO/SC | | 0 | |
| 23.0 | Link Up Interrupt | Link Up did not occur | Link Up occurred | RO/SC | | 0 | |
| Register 24 - Extended Control Register | | | | | | | |
| 24.15:12 | Reserved | Reserved | | RW | | 2 | 2 |
| 24.11:9 | Reserved | Reserved | | RW | | 0 | 0 |
| 24.8 | Deep Power down enable | Deep power down(DPD) disable | Deep power down(DPD) enable | RW | | 0 | |

| Bit | Definition | When Bit = 0 | When Bit = 1 | Access ² | SF ² | Default ³ | Hex |
|--------|-----------------------|--|--|---------------------|-----------------|----------------------|-----|
| 24.7 | Tpll10_100 DPD Enable | Don't power down 10/100 PLL in DPD mode | Controlled auto power down 10/100 PLL in DPD mode | RW | | 0 | 0 |
| 24.6 | RX 100 DPD Enable | Don't power down RX block in DPD mode | Controlled auto power down of RX block in DPD mode | RW | | 0 | |
| 24.5 | Admix_TX DPD Enable | Don't power down admix_dac block in DPD mode | Control auto power down of admix_dac block in DPD mode | RW | | 0 | |
| 24.4 | Cdr100_cdr DPD Enable | don't power down in DPD mod | Control auto power down of CDR block in DPD mode | RW | | 0 | |
| 24.3:0 | Reserved | Reserved | | | | 0 | 0 |

| Bit | Definition | When Bit = 0 | When Bit = 1 | Access ² | SF ² | Default ³ | Hex |
|--|---------------|---|--------------|---------------------|-----------------|----------------------|-----|
| Register 25 - Extended Control Register | | | | | | | |
| 25.15:12 | Reserved | Reserved | | RW | | 0 | 0 |
| 25.11 | Reserved | Reserved | | RW | | 0 | 6 |
| 25.10 | Reserved | Reserved | | RW | | 1 | |
| 25.9 | TX10BIAS_SET | The normal output current of the Bias block for 10BaseT is 540uA. Changing the register can modify the current with a step size of 5% | | RW | | 1 | 4 |
| 25.8 | | | | | | 0 | |
| 25.7 | | | | | | 0 | |
| | | | | | | | |
| 25.6 | TX100BIAS_SET | The normal output current of the Bias block for 100BaseTX is 180uA. Changing the register can modify the current with a step size of 5% | | RW | | 1 | |
| 25.5 | | | | | | 0 | |
| 25.4 | | | | | | 0 | |
| | | | | | | | |
| 25.3 | OUTDLY_CTL | This register controls the delay time of the digital control signal for xmit_dac. 00: Longest delay time (same as original design) 01: Long delay time 10: Short delay time 11: Shortest delay time | | RW | | 0 | 1 |
| 25.2 | | | | | | | |
| 25.1 | Reserved | Reserved | | RW | | 0 | |
| 25.0 | | | | | | 1 | |
| Register 26 - 31 - Extended Control Register (Reserved) | | | | | | | |

Note 1: Ignored if Auto negotiation is enabled.

Note 2: CW = Command Override Write

LH = Latching High

LL = Latching Low

LMX = Latching Maximum

RO = Read Only

RW = Read/Write

RW/0 = Read/Write Zero

RW/1 = Read/Write One

SC = Self-clearing

SF = Special Functions

Note 3: L = Latched on power-up/hardware reset

‡ Whenever the PHY address is equal to 00000 (binary), the Isolate bit 0.10 is logic one, whenever the PHY address is not equal to 00000, the Isolate bit 0.10 is logic zero.

† As per the IEEE Std 802.3u, during any write operation to any bit in this register, the STA must write the default value to all Reserved bits.

DC and AC Operating Conditions

Absolute Maximum Ratings

Stresses above the ratings listed below can cause permanent damage to the ICS1894-34. These ratings, which are standard values for IDT commercially rated parts, are stress ratings only. Functional operation of the device at these or any other conditions above those indicated in the operational sections of the specifications is not implied. Exposure to absolute maximum rating conditions for extended periods can affect product reliability. Electrical parameters are guaranteed only over the recommended operating temperature range.

| Parameter | Rating |
|--------------------------|--|
| VDD (measured to VSS) | -0.3 V to 3.6V |
| Digital Inputs / Outputs | -0.3 V to VDD +0.3 V |
| Storage Temperature | -55° C to +150° C |
| Junction Temperature | 125° C |
| Soldering Temperature | 260° C |
| Power Dissipation | See section "DC Operating Conditions for Supply Current" |

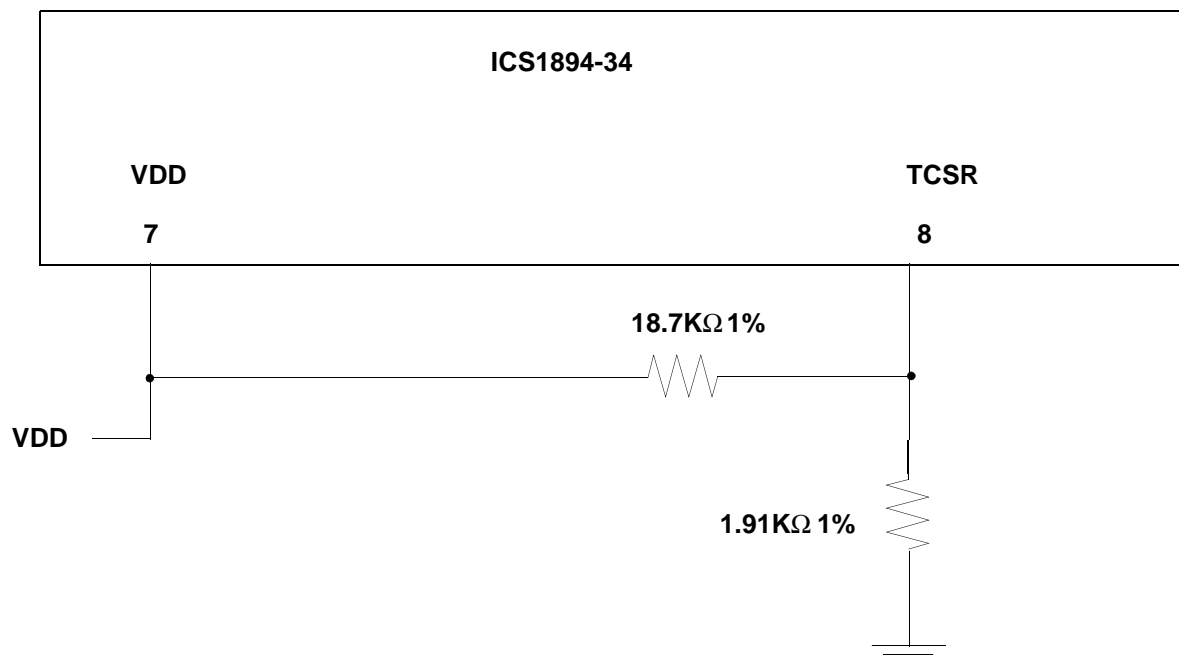
Recommended Operating Conditions

| Parameter | Symbol | Min. | Max. | Units |
|--|--------|-------|-------|-------|
| Ambient Operating Temperature - Commercial | T_A | 0 | +70 | °C |
| Ambient Operating Temperature - Industrial | T_A | -40 | +85 | °C |
| Power Supply Voltage (measured to VSS) | VDD | +3.14 | +3.47 | V |

Recommended Component Values

| Parameter | Minimum | Typical | Maximum | Tolerance | Units |
|---------------------|---------|--|---------|-----------|----------|
| TCSR Resistor Value | – | 1.91k Ω to GND 18.7k Ω to VDD | – | 1% | Ω |
| LED Resistor Value | | 1k | | – | Ω |

ICS1894-34 TCSR



Note:

1. The bias resistor network sets the 10baseT and 100baseTX output amplitude levels.
2. Amplitude is directly related to current sourced out of the TCSR pin.
3. Resistor values shown above are typical. User should check amplitudes and adjust for transformer effects.
4. The 18.7K Ω resistor provides negative feedback to compensate for VDD changes. Reducing the value of this resistor will lower the 100baseT amplitude. Reducing the value of the resistor to ground on the other hand will increase the output signal amplitude.

DC Operating Characteristics for Supply Current

The table below lists the DC operating characteristics for the supply current to the ICS1894-34 under various conditions.

| Condition | VDDIO (V) | VDD and VDDD (V) | Current (mA) (typical) |
|--------------------------|-----------|------------------|------------------------|
| Autonegotiation | 3.3 | 3.3 | 68 |
| | 1.8 | 3.3 | 66 |
| 100BaseTX FD and Linked | 3.3 | 3.3 | 102 |
| 10BaseTX FD and Linked | 3.3 | 3.3 | 97 |
| Power Down (Reg0:11 = 1) | 3.3 | 3.3 | 16 |

Deep Power Down Current Consumption Table

| | | Case 1 | Case 2 | Case 3 | Case 4 | Case 5 |
|-------------------------------|-----------------------|--------|--------|--------|--------|--------|
| Register 24:8 | DPD Enable | √ | √ | √ | √ | √ |
| Register 24:7 | TPLL_100 DPD Enable | | √ | √ | √ | √ |
| Register 24:6 | RX_100 DPD Enable | | | √ | √ | √ |
| Register 24:5 | Admix_TX DPD Enable | | | | √ | √ |
| Register 24:4 | CDR100_cdr DPD Enable | | | | | √ |
| Current (mA) (typical) | | 68 | 39 | 26 | 24 | 16 |

DC Operating Characteristics for Inputs and Outputs

Unless otherwise specified, the table below lists the 3.3V/1.8 V DC operating characteristics of the ICS1894-34 inputs and outputs.

For 3.3 V Signals

| Parameter | Symbol | Conditions | Min. | Max. | Units |
|---------------------|----------|------------------|------|------|-------|
| Input High Voltage | V_{IH} | | 2.0 | – | V |
| Input Low Voltage | V_{IL} | | – | 0.8 | V |
| Output High Voltage | V_{OH} | $I_{OH} = -4$ mA | 2.4 | – | V |
| Output Low Voltage | V_{OL} | $I_{OL} = +4$ mA | – | 0.4 | V |

For 1.8 V Signals

| Parameter | Symbol | Conditions | Min. | Max. | Units |
|---------------------|----------|------------------|------|------|-------|
| Input High Voltage | V_{IH} | | 0.8 | – | V |
| Input Low Voltage | V_{IL} | | – | 0.7 | V |
| Output High Voltage | V_{OH} | $I_{OH} = -4$ mA | 1.6 | – | V |
| Output Low Voltage | V_{OL} | $I_{OL} = +4$ mA | – | 0.1 | V |

DC Operating Characteristics for REFIN

The table below lists the 3.3V DC characteristics for the REFIN pin.

| Parameter | Symbol | Min. | Max. | Units |
|--------------------|----------|------|------|-------|
| Input High Voltage | V_{IH} | 2.97 | – | V |
| Input Low Voltage | V_{IL} | – | 0.33 | V |

DC Operating Characteristics for MII Pins

The table below lists DC operating characteristics for the Media Independent Interface (MII) for the ICS1894-34.

| Parameter | Conditions | Min. | Typ. | Max. | Units |
|----------------------------|--------------|------|------|------|----------|
| MII Input Pin Capacitance | – | – | – | 8 | pF |
| MII Output Pin Capacitance | – | – | – | 14 | pF |
| MII Output Drive Impedance | VDDIO = 3.3V | – | 20 | – | Ω |

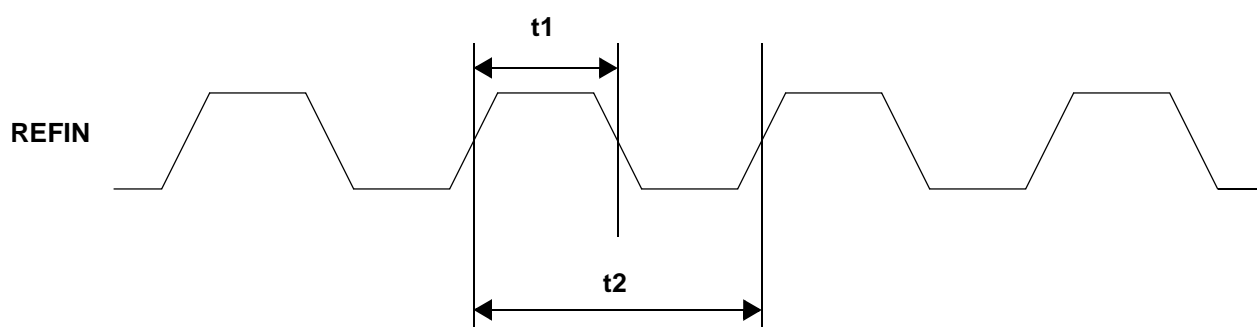
Timing Diagrams

Timing for Clock Reference (REFIN) Pin

The table below lists the significant time periods for signals on the clock reference (REFIN) pin. The *REFIN Timing Diagram* figure shows the timing diagram for the time periods.

| Time Period | Parameter | Conditions | Min. | Typ. | Max. | Units |
|-------------|------------------------|------------|------|------|------|-------|
| t1 | REFIN Duty Cycle (MII) | – | 45 | 50 | 55 | % |
| t2 | REFIN Period (MII) | – | – | 40 | – | ns |

REFIN Timing Diagram

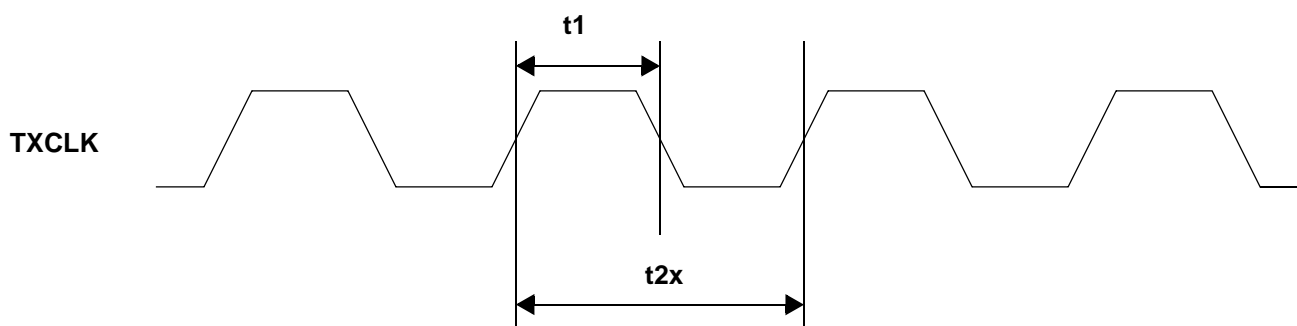


Timing for Transmit Clock (TXCLK) Pin

The table below lists the significant time periods for signals on the Transmit Clock (TXCLK) pin. The *Transmit Clock Timing Diagram* figure shows the timing diagram for the time periods.

| Time Period | Parameter | Conditions | Min. | Typ. | Max. | Units |
|-------------|------------------|-----------------------|------|------|------|-------|
| t1 | TXCLK Duty Cycle | – | 35 | 50 | 65 | % |
| t2a | TXCLK Period | 100M MII (100Base-TX) | – | 40 | – | ns |
| t2b | TXCLK Period | 10M MII (10Base-T) | – | 400 | – | ns |

Transmit Clock Timing Diagram

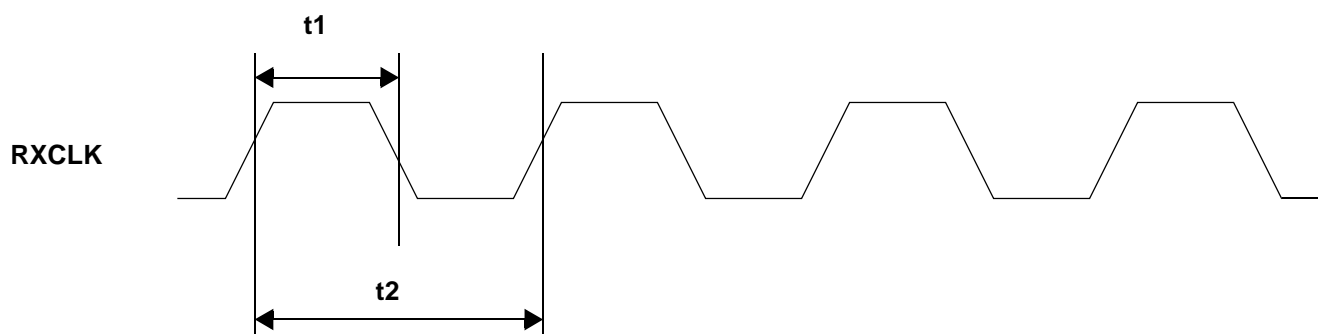


Timing for Receive Clock (RXCLK) Pin

The table below lists the significant time periods for signals on the Receive Clock (RXCLK) pin. The *Receive Clock Timing Diagram* figure shows the timing diagram for the time periods.

| Time Period | Parameter | Conditions | Min. | Typ. | Max. | Units |
|-------------|------------------|-----------------------|------|------|------|-------|
| t1 | RXCLK Duty Cycle | – | 35 | 50 | 65 | % |
| t2a | RXCLK Period | 100M MII (100Base-TX) | – | 40 | – | ns |
| t2b | RXCLK Period | 10M MII (10Base-T) | – | 400 | – | ns |

Receive Clock Timing Diagram



100M MII: Synchronous Transmit Timing

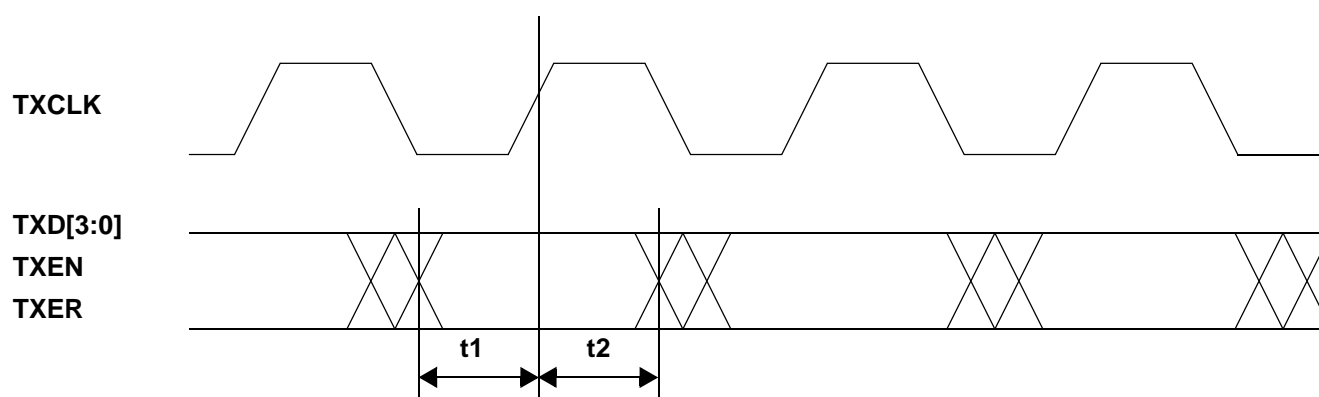
The table below lists the significant time periods for the 100M MII Interface synchronous transmit timing. The time periods consist of timings of signals on the following pins:

- TXCLK
- TXD[3:0]
- TXEN
- TXER

The *100M MII/100M Stream Interface Synchronous Transmit Timing Diagram* figure shows the timing diagram for the time periods.

| Time Period | Parameter | Conditions | Min. | Typ. | Max. | Units |
|-------------|--|------------|------|------|------|-------|
| t1 | TXD[3:0], TXEN, TXER Setup to TXCLK Rise | – | 15 | – | – | ns |
| t2 | TXD[3:0], TXEN, TXER Hold after TXCLK Rise | – | 0 | – | – | ns |

100M MII/100M Stream Interface Synchronous Transmit Timing Diagram



10M MII: Synchronous Transmit Timing

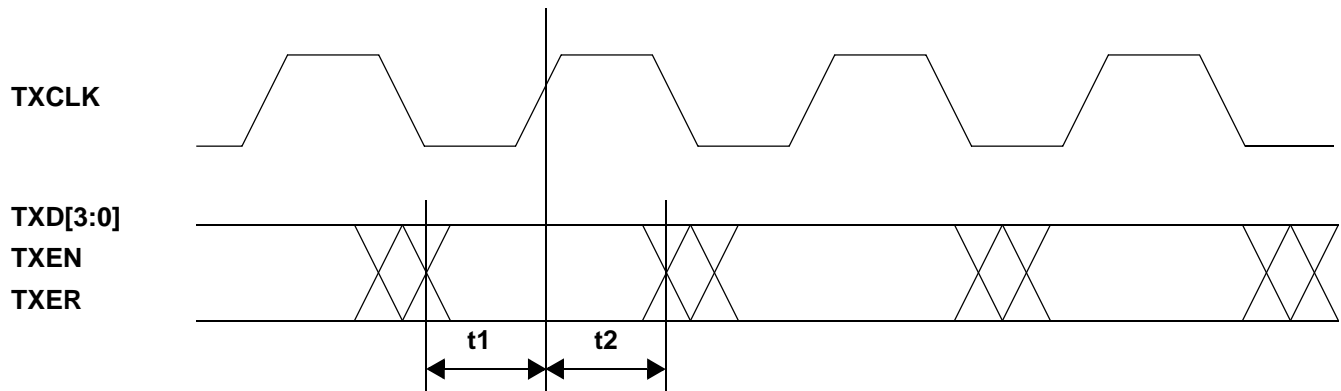
The table below lists the significant time periods for the 10M MII synchronous transmit timing. The time periods consist of timings of signals on the following pins:

- TXCLK
- TXD[3:0]
- TXEN
- TXER

The *10M MII Synchronous Transmit Timing Diagram* figure shows the timing diagram for the time periods.

| Time Period | Parameter | Conditions | Min. | Typ. | Max. | Units |
|-------------|--|------------|------|------|------|-------|
| t1 | TXD[3:0], TXEN, TXER Setup to TXCLK Rise | – | 375 | – | – | ns |
| t2 | TXD[3:0], TXEN, TXER Hold after TXCLK Rise | – | 0 | – | – | ns |

10M MII Synchronous Transmit Timing Diagram



100M/MII Media Independent Interface: Synchronous Receive Timing

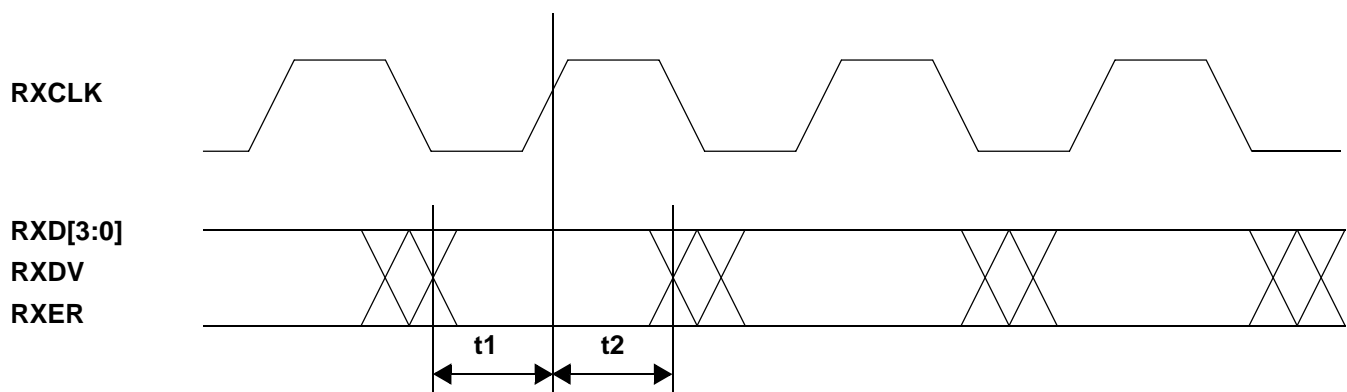
The table below lists the significant time periods for the MII/100M Stream Interface synchronous receive timing. The time periods consist of timings of signals on the following pins:

- RXCLK
- RXD[3:0]
- RXDV
- RXER

The *MII Interface: Synchronous Receive Timing* figure shows the timing diagram for the time periods.

| Time Period | Parameter | Min. | Typ. | Max. | Units |
|-------------|--|------|------|------|-------|
| t_1 | RXD[3:0], RXDV, and RXER Setup to RXCLK Rise | 10.0 | – | – | ns |
| t_2 | RXD[3:0], RXDV, and RXER Hold after RXCLK Rise | 10.0 | – | – | ns |

MII Interface: Synchronous Receive Timing

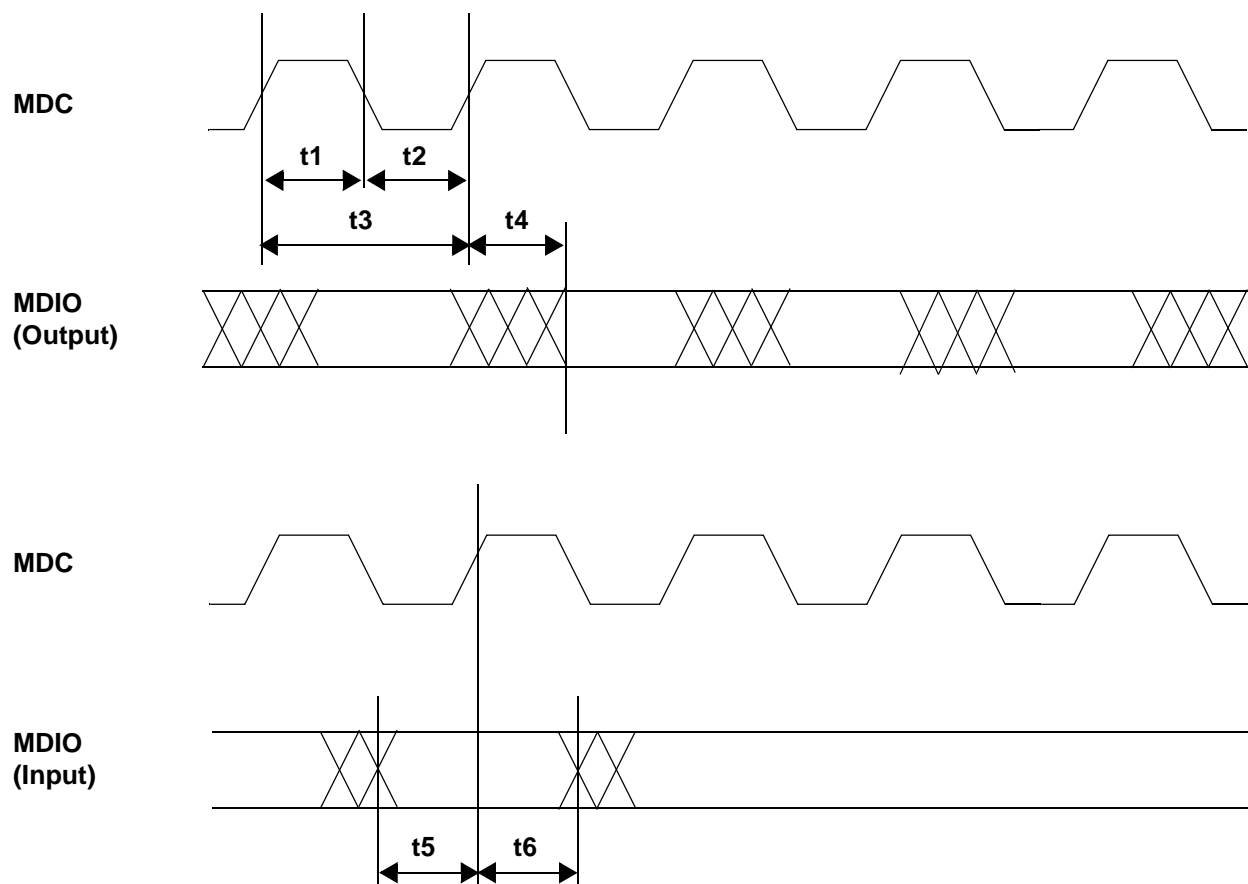


MII Management Interface Timing

The table below lists the significant time periods for the MII Management Interface timing (which consists of timings of signals on the MDC and MDIO pins). The *MII Management Interface Timing Diagram* figure shows the timing diagram for the time periods.

| Time Period | Parameter | Conditions | Min. | Typ. | Max. | Units |
|-------------|-----------------------------|------------|------|------|------|-------|
| t1 | MDC Minimum High Time | – | 160 | – | – | ns |
| t2 | MDC Minimum Low Time | – | 160 | – | – | ns |
| t3 | MDC Period | – | 400 | – | – | ns |
| t4 | MDC Rise Time to MDIO Valid | – | 0 | – | 300 | ns |
| t5 | MDIO Setup Time to MDC | – | 10 | – | – | ns |
| t6 | MDIO Hold Time after MDC | – | 10 | – | – | ns |

MII Management Interface Timing Diagram



10M Media Independent Interface: Receive Latency

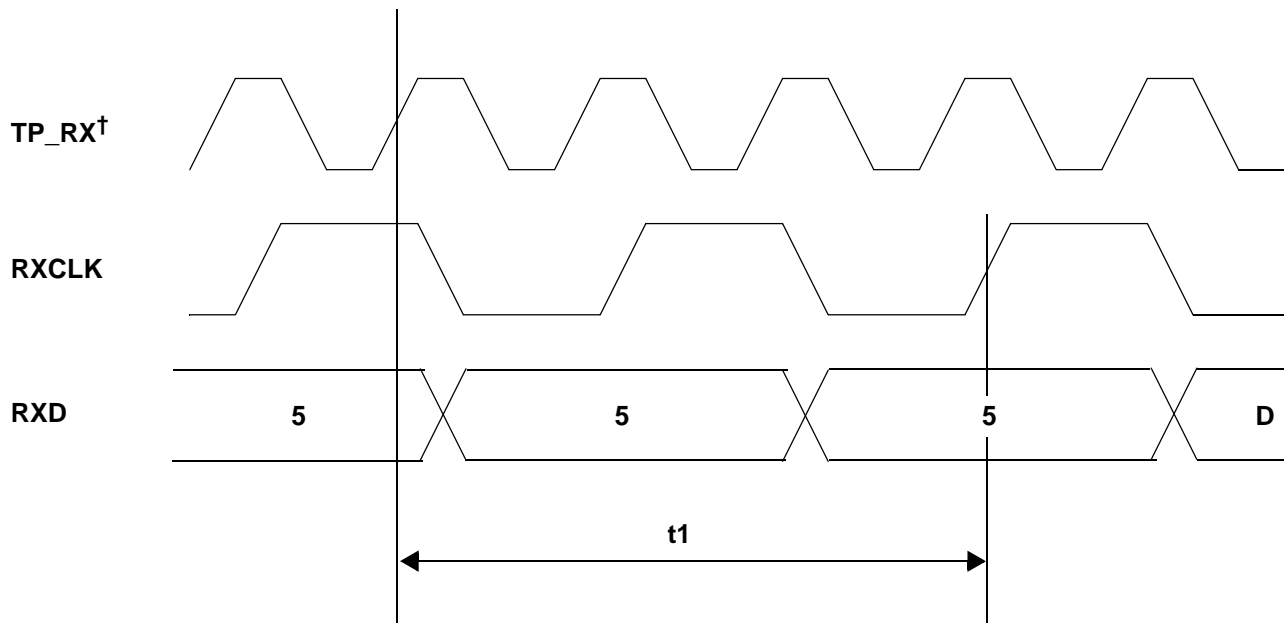
The table below lists the significant time periods for the 10M MII timing. The time periods consist of timings of signals on the following pins:

- TP_RX (that is, the MII TP_RXP and TP_RXN pins)
- RXCLK
- RXD

The *10M MII Receive Latency Timing Diagram* shows the timing diagram for the time periods.

| Time Period | Parameter | Conditions | Min. | Typ. | Max. | Units |
|-------------|---|------------|------|------|------|-----------|
| t1 | First Bit of /5/ on TP_RX to /5/D/ on RXD | 10M MII | – | 6.5 | 7 | Bit times |

10M MII Receive Latency Timing Diagram



† Manchester encoding is not shown.

10M Media Independent Interface: Transmit Latency

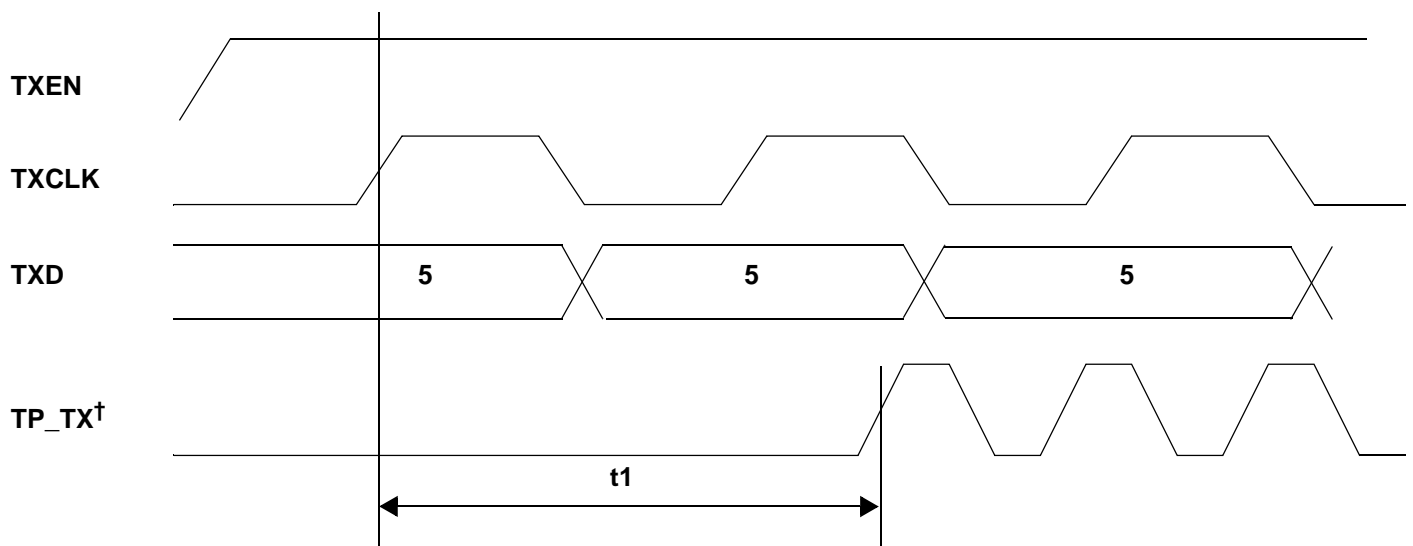
The table below lists the significant time periods for the 10M MII transmit latency. The time periods consist of timings of signals on the following pins:

- TXEN
- TXCLK
- TXD (that is, TXD[3:0])
- TP_TX (that is, TP_TXP and TP_TXN)

The *10M MII Transmit Latency Timing Diagram* shows the timing diagram for the time periods.

| Time Period | Parameter | Conditions | Min. | Typ. | Max. | Units |
|-------------|--|------------|------|------|------|-----------|
| t1 | TXD Sampled to MDI Output of First Bit | 10M MII | – | 1.2 | 2 | Bit times |

10M MII Transmit Latency Timing Diagram



† Manchester encoding is not shown.

100M / MII Media Independent Interface: Transmit Latency

The table below lists the significant time periods for the MII/100 Stream Interface transmit latency. The time periods consist of timings of signals on the following pins:

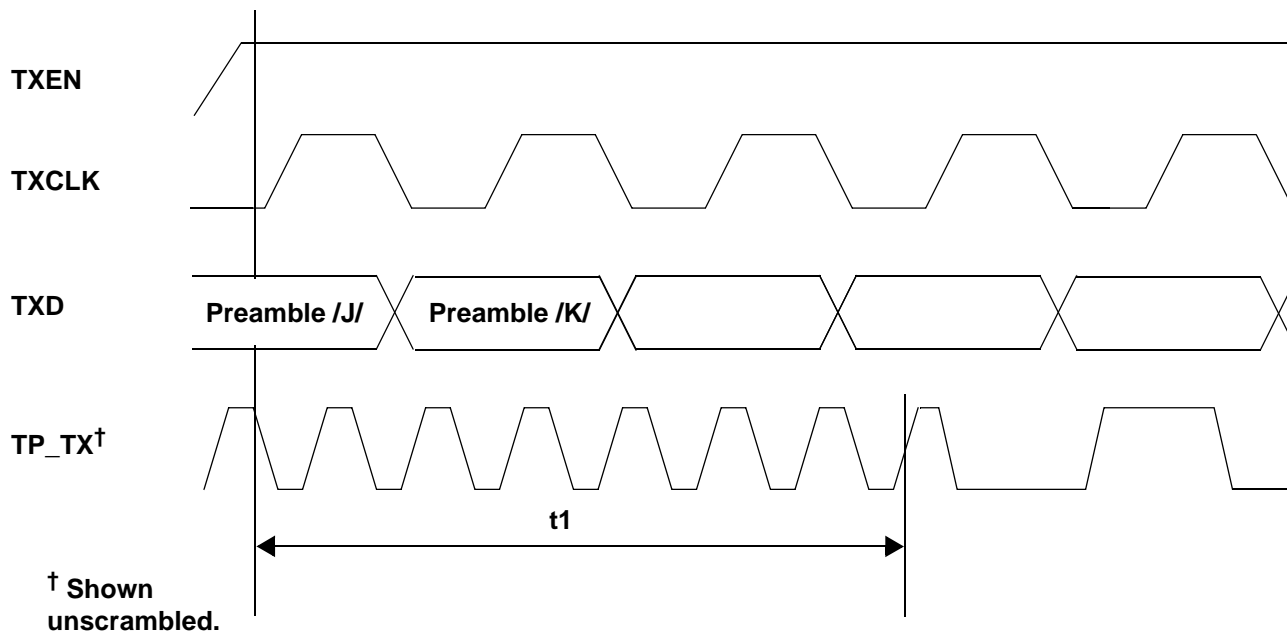
- TXEN
- TXCLK
- TXD (that is, TXD[3:0])
- TP_TX (that is, TP_TXP and TP_TXN)

The *MII/100M Stream Interface Transmit Latency Timing Diagram* shows the timing diagram for the time periods.

| Time Period | Parameter | Conditions | Min. | Typ. | Max. | Units |
|-------------|--|------------|------|------|------|-----------|
| t1 | TXEN Sampled to MDI Output of First Bit of /J/ † | MII mode | – | 2.8 | 3 | Bit times |

† The IEEE maximum is 18 bit times.

MII/100M Stream Interface Transmit Latency Timing Diagram



10M MII: Carrier Assertion/De-Assertion (Half-Duplex Transmission)

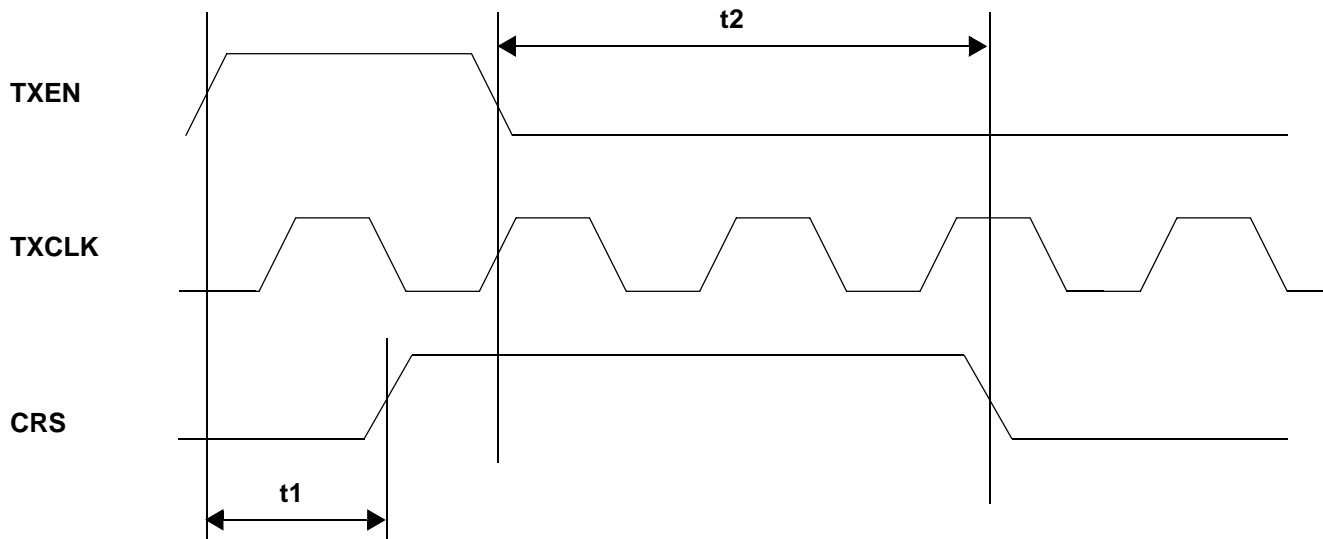
The table below lists the significant time periods for the 10M MII carrier assertion/de-assertion during half-duplex transmission. The time periods consist of timings of signals on the following pins:

- TXEN
- TXCLK
- CRS

The *10M MII Carrier Assertion/De-Assertion Timing Diagram (Half-Duplex Transmission Only)* shows the timing diagram for the time periods.

| Time Period | Parameter | Conditions | Min. | Typ. | Max. | Units |
|-------------|-------------------------------------|------------|------|------|------|-----------|
| t1 | TXEN Asserted to CRS Assert | | 0 | – | 2 | Bit times |
| t2 | TXEN De-Asserted to CRS De-Asserted | | 0 | 2 | 4 | Bit times |

10M MII Carrier Assertion/De-Assertion Timing Diagram (Half-Duplex Transmission Only)



100M MII Media Independent Interface: Receive Latency

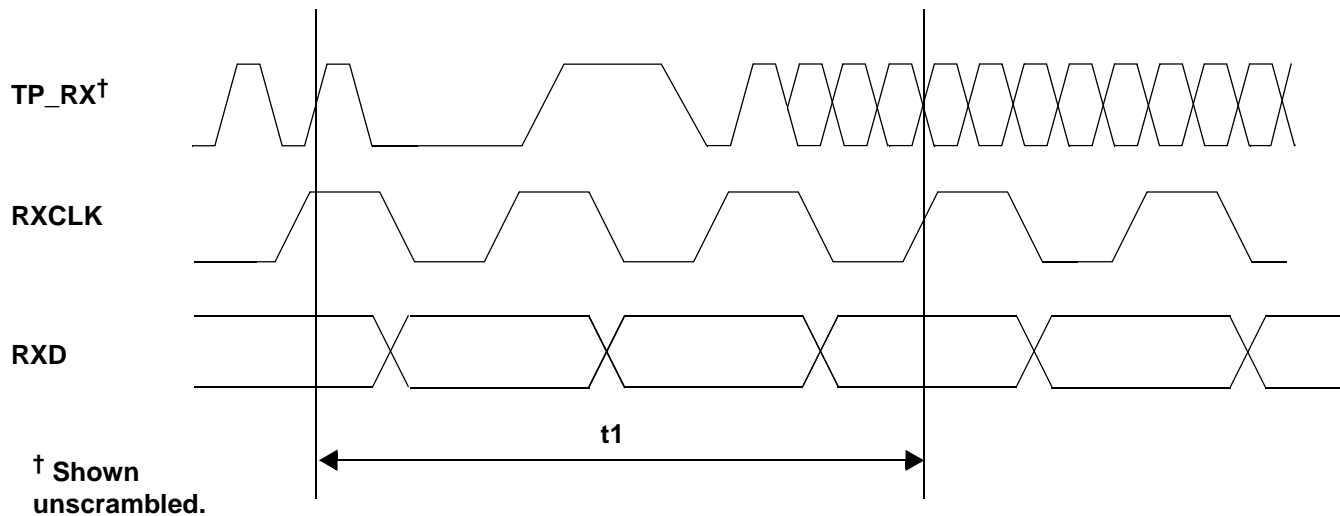
The table below lists the significant time periods for the 100M MII/100M Stream Interface receive latency. The time periods consist of timings of signals on the following pins:

- TP_RX (that is, TP_RXP and TP_RXN)
- RXCLK
- RXD (that is, RXD[3:0])

The *100M MII/100M Stream Interface: Receive Latency Timing Diagram* shows the timing diagram for the time periods.

| Time Period | Parameter | Conditions | Min. | Typ. | Max. | Units |
|-------------|---|------------|------|------|------|-----------|
| t1 | First Bit of /J/ into TP_RX to /J/ on RXD | 100M MII | – | 16 | 17 | Bit times |

100M MII/100M Stream Interface: Receive Latency Timing Diagram



Reset: Power-On Reset

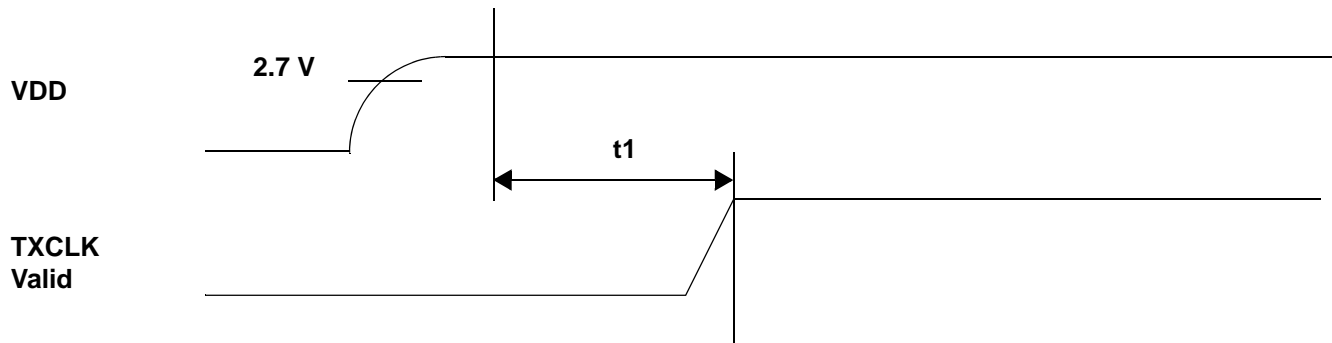
The table below lists the significant time periods for the power-on reset. The time periods consist of timings of signals on the following pins:

- VDD
- TXCLK

The *Power-On Reset Timing Diagram* shows the timing diagram for the time periods.

| Time Period | Parameter | Conditions | Min. | Typ. | Max. | Units |
|-------------|-------------------------------|------------|------|------|------|-------|
| t1 | VDD ≥ 2.7 V to Reset Complete | – | 40 | 45 | 500 | ms |

Power-On Reset Timing Diagram



Reset: Hardware Reset and Power-Down

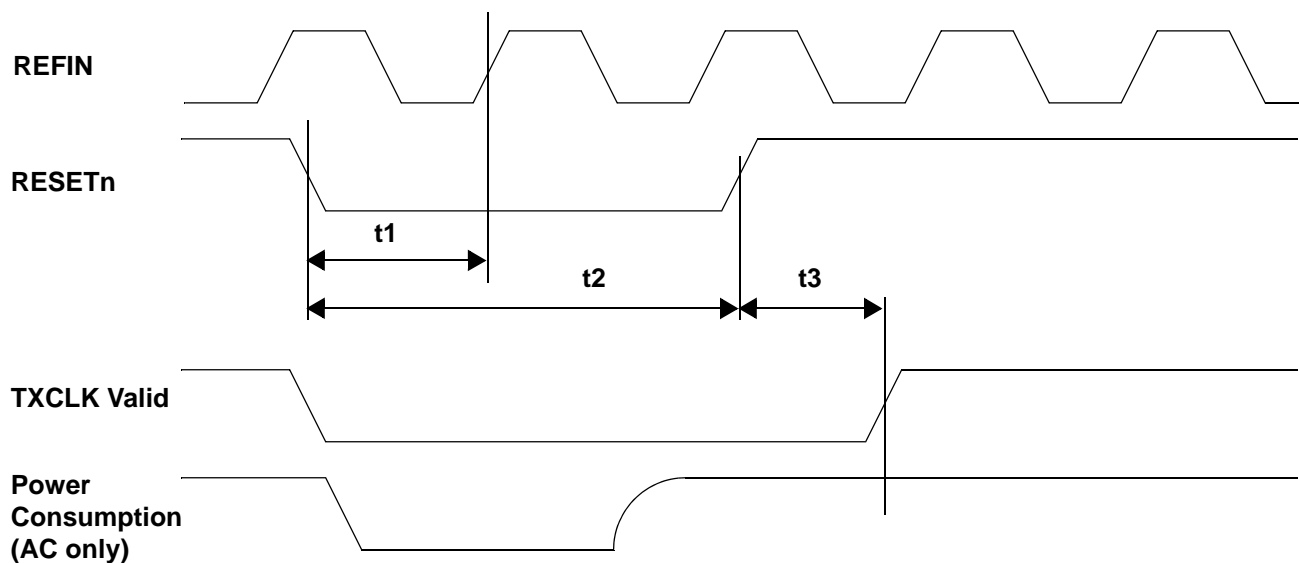
The table below lists the significant time periods for the hardware reset and power-down reset. The time periods consist of timings of signals on the following pins:

- REFIN
- RESETn
- TXCLK

The *Hardware Reset and Power-Down Timing Diagram* shows the timing diagram for the time periods.

| Time Period | Parameter | Conditions | Min. | Typ. | Max | Units |
|-------------|--|------------|------|------|-----|-------|
| t1 | RESETn Active to Device Isolation and Initialization | – | – | 60 | – | ns |
| t2 | Minimum RESETn Pulse Width | – | 200 | | – | ns |
| t3 | RESETn Released to TXCLK Valid | – | – | 35 | 500 | ms |

Hardware Reset and Power-Down Timing Diagram

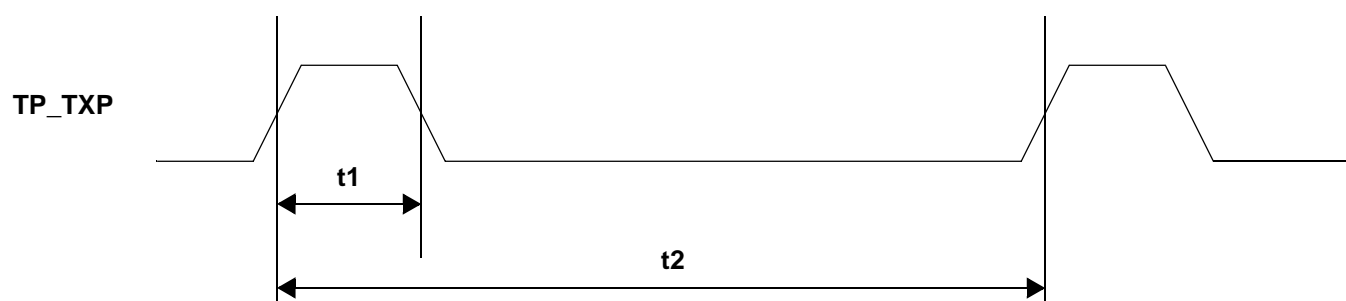


10Base-T: Normal Link Pulse Timing

The table below lists the significant time periods for the 10Base-T Normal Link Pulse (which consists of timings of signals on the TP_TXP pins). The *10Base-T Normal Link Pulse Timing Diagram* shows the timing diagram for the time periods.

| Time Period | Parameter | Conditions | Min. | Typ. | Max. | Units |
|-------------|---|------------|------|------|------|-------|
| t1 | Normal Link Pulse Width | 10Base-T | – | 100 | – | ns |
| t2 | Normal Link Pulse to Normal Link Pulse Period | 10Base-T | 8 | 20 | 25 | ms |

10Base-T Normal Link Pulse Timing Diagram



Auto-Negotiation Fast Link Pulse Timing

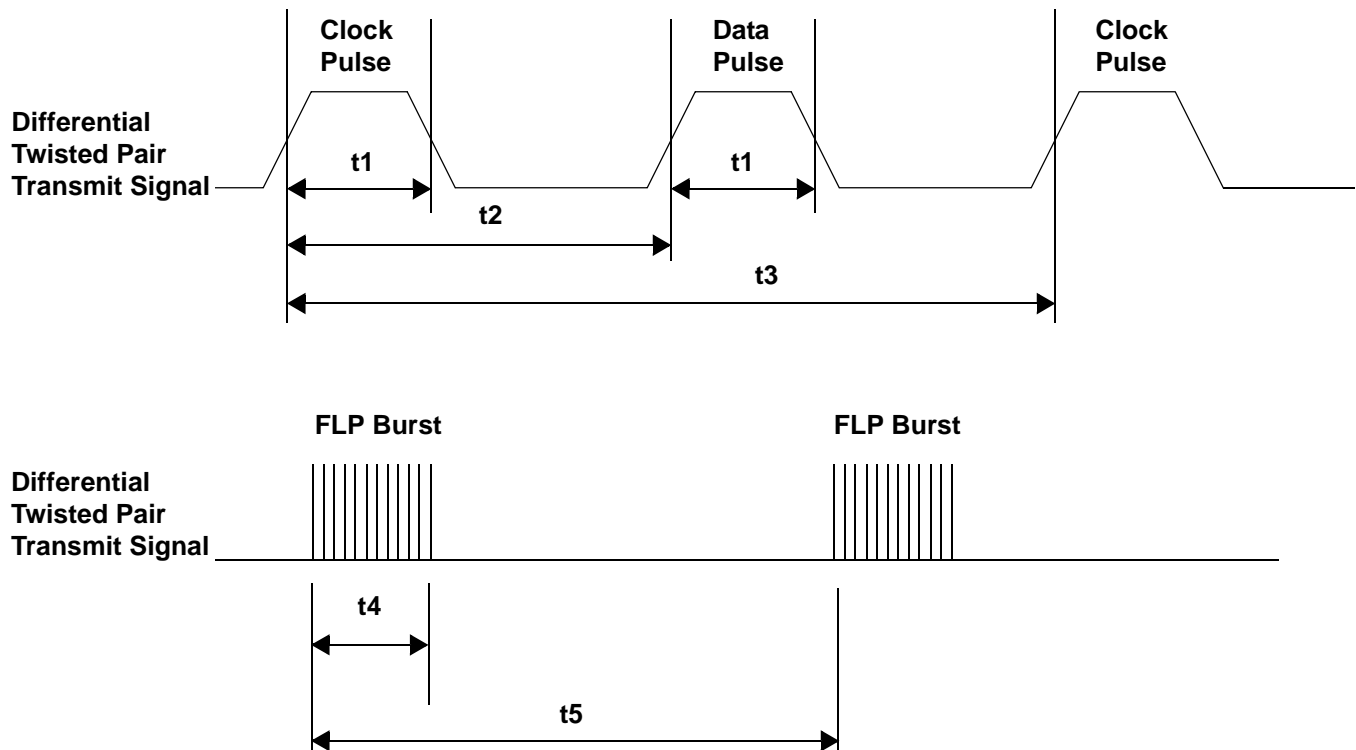
The table below lists the significant time periods for the ICS1894-34 Auto-Negotiation Fast Link Pulse. The time periods consist of timings of signals on the following pins:

- TP_TXP
- TP_TXN

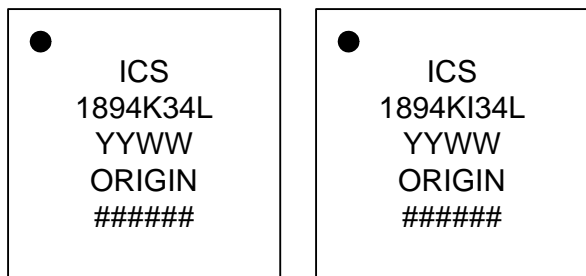
The *Auto-Negotiation Fast Link Pulse Timing Diagram* shows the timing diagram for one pair of these differential signals, for example TP_TXP minus TP_TXN.

| Time Period | Parameter | Conditions | Min. | Typ. | Max. | Units |
|-------------|--|------------|------|------|------|--------|
| t1 | Clock/Data Pulse Width | – | – | 90 | – | ns |
| t2 | Clock Pulse-to-Data Pulse Timing | – | 55 | 60 | 70 | μs |
| t3 | Clock Pulse-to-Clock Pulse Timing | – | 110 | 125 | 140 | μs |
| t4 | Fast Link Pulse Burst Width | – | – | 5 | – | ms |
| t5 | Fast Link Pulse Burst to Fast Link Pulse Burst | – | 10 | 15 | 25 | ms |
| t6 | Number of Clock/Data Pulses in a Burst | – | 15 | 20 | 30 | pulses |

Auto-Negotiation Fast Link Pulse Timing Diagram



Marking Diagrams

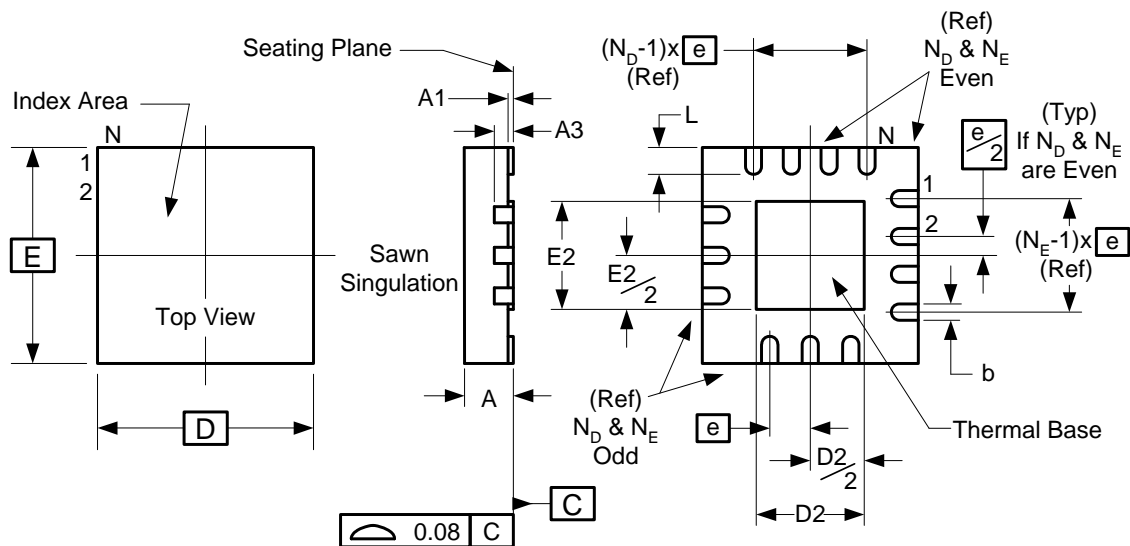


Notes:

1. 'L' designates Pb (lead) free, RoHS compliant.
2. "I" designates industrial temperature.
3. 'YYWW' designates date code.
4. 'ORIGIN' designates country of origin.
5. '#####' designates the lot number.

Package Outline and Package Dimensions (32-pin 5mm x 5mm QFN)

Package dimensions are kept current with JEDEC Publication No. 95



| Symbol | Millimeters | |
|-------------|----------------|------|
| | Min | Max |
| A | 0.80 | 1.00 |
| A1 | 0 | 0.05 |
| A3 | 0.20 Reference | |
| b | 0.18 | 0.30 |
| e | 0.50 BASIC | |
| N | 32 | |
| N_D | 8 | |
| N_E | 8 | |
| D x E BASIC | 5.00 x 5.00 | |
| D2 | 3.00 | 3.3 |
| E2 | 3.00 | 3.3 |
| L | 0.3 | 0.5 |

Ordering Information

| Part / Order Number | Marking | Shipping Packaging | Package | Temperature |
|---------------------|-------------|--------------------|------------|--------------|
| 1894K-34LF | see page 45 | Tray | 32-pin QFN | 0 to +70°C |
| 1894K-34LFT | | Tape and Reel | 32-pin QFN | 0 to +70°C |
| 1894KI-34LF | | Tray | 32-pin QFN | -40 to +85°C |
| 1894KI-34LFT | | Tape and Reel | 32-pin QFN | -40 to +85°C |

"LF" suffix to the part number are the Pb-Free configuration and are RoHS compliant.

While the information presented herein has been checked for both accuracy and reliability, Integrated Device Technology (IDT) assumes no responsibility for either its use or for the infringement of any patents or other rights of third parties, which would result from its use. No other circuits, patents, or licenses are implied. This product is intended for use in normal commercial applications. Any other applications such as those requiring extended temperature range, high reliability, or other extraordinary environmental requirements are not recommended without additional processing by IDT. IDT reserves the right to change any circuitry or specifications without notice. IDT does not authorize or warrant any IDT product for use in life support devices or critical medical instruments.

Revision History

| Rev. | Originator | Date | Description of Change |
|------|------------|----------|--|
| A | K.B. | 02/23/12 | New device/datasheet - preliminary release |
| B | K.B. | 05/21/12 | 1. In "Strapping Options" table, deleted reference to pin 11 P2/INT. Added note "P2 is internally tied to ground." |
| | | | |
| | | | |

IMPORTANT NOTICE AND DISCLAIMER

RENESAS ELECTRONICS CORPORATION AND ITS SUBSIDIARIES (“RENESAS”) PROVIDES TECHNICAL SPECIFICATIONS AND RELIABILITY DATA (INCLUDING DATASHEETS), DESIGN RESOURCES (INCLUDING REFERENCE DESIGNS), APPLICATION OR OTHER DESIGN ADVICE, WEB TOOLS, SAFETY INFORMATION, AND OTHER RESOURCES “AS IS” AND WITH ALL FAULTS, AND DISCLAIMS ALL WARRANTIES, EXPRESS OR IMPLIED, INCLUDING, WITHOUT LIMITATION, ANY IMPLIED WARRANTIES OF MERCHANTABILITY, FITNESS FOR A PARTICULAR PURPOSE, OR NON-INFRINGEMENT OF THIRD PARTY INTELLECTUAL PROPERTY RIGHTS.

These resources are intended for developers skilled in the art designing with Renesas products. You are solely responsible for (1) selecting the appropriate products for your application, (2) designing, validating, and testing your application, and (3) ensuring your application meets applicable standards, and any other safety, security, or other requirements. These resources are subject to change without notice. Renesas grants you permission to use these resources only for development of an application that uses Renesas products. Other reproduction or use of these resources is strictly prohibited. No license is granted to any other Renesas intellectual property or to any third party intellectual property. Renesas disclaims responsibility for, and you will fully indemnify Renesas and its representatives against, any claims, damages, costs, losses, or liabilities arising out of your use of these resources. Renesas' products are provided only subject to Renesas' Terms and Conditions of Sale or other applicable terms agreed to in writing. No use of any Renesas resources expands or otherwise alters any applicable warranties or warranty disclaimers for these products.

(Disclaimer Rev.1.0 Mar 2020)

Corporate Headquarters

TOYOSU FORESIA, 3-2-24 Toyosu,
Koto-ku, Tokyo 135-0061, Japan
www.renesas.com

Contact Information

For further information on a product, technology, the most up-to-date version of a document, or your nearest sales office, please visit:
www.renesas.com/contact/

Trademarks

Renesas and the Renesas logo are trademarks of Renesas Electronics Corporation. All trademarks and registered trademarks are the property of their respective owners.