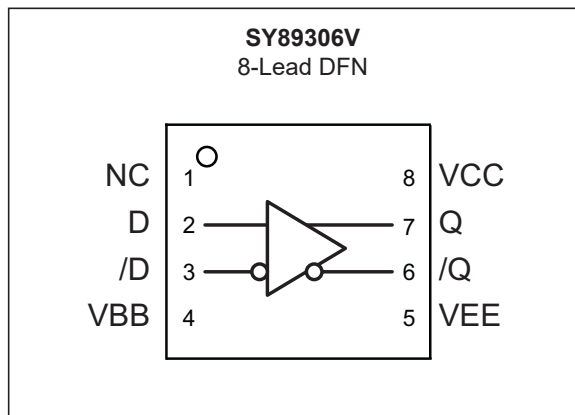


## 3.3V/5V 2.5 GHz Differential PECL/ECL Receiver/Buffer

### Features

- Maximum Frequency > 2.5 GHz
- Inputs (D, /D) Include 75 k $\Omega$  Input Pull-Down Resistors
- 100K PECL/ECL Compatible
- Industrial Temperature Range: -40°C to +85°C
- Available in an Ultra Small 8-Pin 2 mm x 2 mm DFN Package

### Package Type



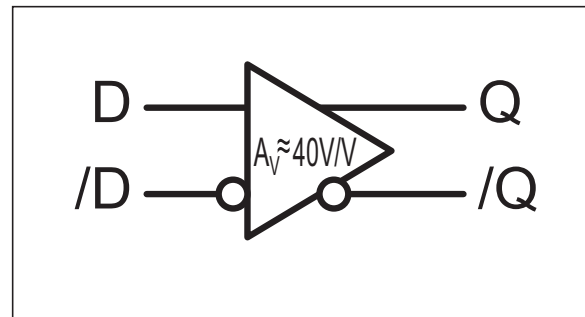
### General Description

The SY89306V is a high-speed differential buffer/receiver. The device is functionally equivalent to the SY100EL16V and SY88927V buffers, but features a 70% smaller footprint.

The SY89306V includes a VBB reference for single-ended AC-coupling applications. Whenever used, the VBB pin should be bypassed to ground via a 0.01  $\mu$ F capacitor. VBB reference can only sink/source 0.5 mA.

Under open input conditions (pulled to VEE), internal input clamps will force the Q output LOW.

### Block Diagram



# SY89306V

## 1.0 ELECTRICAL CHARACTERISTICS

### Absolute Maximum Ratings †

PECL Power Supply Voltage ( $V_{CC}$ ) (Note 1).....	+8V
NECL Power Supply Voltage ( $V_{EE}$ ) (Note 2).....	-8V
PECL Mode Input Voltage ( $V_{IN}$ ) (Note 3).....	+6V
NECL Mode Input Voltage ( $V_{IN}$ ) (Note 4).....	-6V
Continuous Output Current ( $I_{OUT}$ ).....	50 mA
Surge Output Current ( $I_{OUT}$ ).....	100 mA

† **Notice:** Stresses above those listed under “Absolute Maximum ratings” may cause permanent damage to the device. Exposure to maximum rating conditions for extended periods may affect device reliability.

**Note 1:**  $V_{EE} = 0V$ .

**2:**  $V_{CC} = 0V$ .

**3:**  $V_{EE} = 0V$ ,  $V_{IN} \leq V_{CC}$ .

**4:**  $V_{CC} = 0V$ ,  $V_{IN} \geq V_{EE}$ .

**5:** Mil Std. 883 Human Body Model, all pins

### DC ELECTRICAL CHARACTERISTICS (Note 1)

**Electrical Characteristics:**  $V_{CC} = 3.0V$  to  $5.5V$ ;  $V_{EE} = 0V$  or  $V_{EE} = -5.5V$  to  $-3.0V$ ;  $V_{CC} = 0V$ ;  $T_A = -40^\circ C$  to  $+85^\circ C$ , unless otherwise stated.

Parameter	Symbol	Min.	Typ.	Max.	Units	Conditions
Power Supply Current	$I_{EE}$	—	—	48	mA	—
Output High Voltage (Note 2)	$V_{OH}$	$V_{CC} - 1.085$	—	$V_{CC} - 0.88$	V	—
Output Low Voltage (Note 2)	$V_{OL}$	$V_{CC} - 1.830$	—	$V_{CC} - 1.555$	V	—
Input High Voltage (Single Ended)	$V_{IH}$	$V_{CC} - 1.165$	—	$V_{CC} - 0.880$	V	—
Input Low Voltage (Single Ended)	$V_{IL}$	$V_{CC} - 1.810$	—	$V_{CC} - 1.475$	V	—
Output Reference Voltage	$V_{BB}$	$V_{CC} - 1.38$	—	$V_{CC} - 1.26$	V	—
Common Mode Range (Note 3)	$V_{IHCMR}$	$V_{EE} + 2.0$	—	$V_{CC} - 0.4$	V	—
Input High Current	$I_{IH}$	—	—	150	$\mu A$	—
Input Low Current	$I_{IL}$	0.5	—	—	$\mu A$	—

**Note 1:** Devices are designed to meet the DC specifications shown in the above table after thermal equilibration has been established. The circuit is in a test socket or mounted on a printed circuit board and transverse airflow greater than 500 lfm is maintained.

**2:** Outputs are terminated through a  $50\Omega$  resistor to  $V_{CC} - 2.0V$ .

**3:** The CMR range is referenced to the most positive side of the differential input voltage. Normal operation is obtained if the high level falls within the specified range and the peak-to-peak voltage lies between 150 mV and 1V.

## AC ELECTRICAL CHARACTERISTICS

**Electrical Characteristics:**  $V_{CC} = 3.3V$  to  $5.5V$  or  $V_{EE} = -5.5V$  to  $-3.0V$ ;  $V_{CC} = 0V$ ;  $T_A = -40^{\circ}C$  to  $+85^{\circ}C$ , unless otherwise stated.  $R_L = 50\Omega$  to  $V_{CC} - 2.0V$

Parameter	Symbol	Min.	Typ.	Max.	Units	Conditions
Maximum Frequency (Note 1)	$f_{MAX}$	2.5	—	—	GHz	$V_{OUT} \geq 400$ mV
Propagation Delay D to Q (Differential)	$t_{PLH}$ , $t_{PHL}$	100	—	300	ps	$V_{IN} = 800$ mV
Duty Cycle Skew (Note 2)	$t_{SKEW}$	—	8	30	ps	—
Input Swing (Note 3)	$V_{PP}$	150	—	1000	mV	—
Output Rise/Fall Time Q (20% to 80%)	$t_r/t_f$	60	110	180	ps	—

**Note 1:**  $f_{MAX}$  guaranteed for functionality only.  $V_{OH}$  and  $V_{OL}$  are guaranteed at DC only.

**2:** Duty cycle skew is the difference between a  $t_{PLH}$  and  $t_{PHL}$  propagation delay through a device.

**3:** Input swing for which AC parameters are ensured. The device has a DC gain of  $\approx 40$ .

# SY89306V

---

---

## TEMPERATURE SPECIFICATIONS

Parameters	Symbol	Min.	Typ.	Max.	Units	Conditions
<b>Temperature Ranges</b>						
Operating Temperature Range	$T_A$	-40	—	+85	°C	—
Storage Temperature Range	$T_S$	-65	—	+150	°C	—
Lead Temperature	$T_{LEAD}$	—	—	+260	°C	Soldering, 20 sec.
<b>Package Thermal Resistance (DFN)</b>						
Junction-to-Ambient	$\theta_{JA}$	—	93	—	°C/W	Still Air
		—	87	—		500 lfpm
Junction-to-Case	$\theta_{JC}$	—	45	—	°C/W	—

## 2.0 PIN DESCRIPTIONS

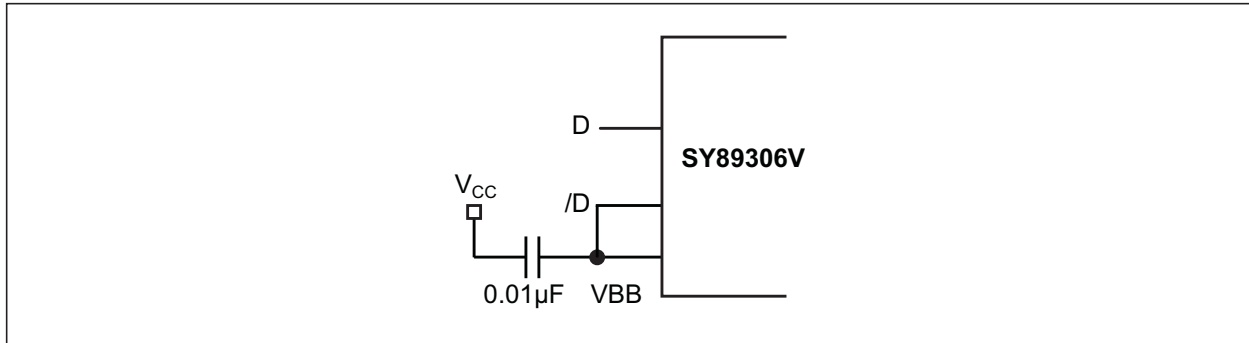
The descriptions of the pins are listed in [Table 2-1](#).

**TABLE 2-1: PIN FUNCTION TABLE**

Pin Number	Pin Name	Type	Description
2, 3	D, /D	100K ECL Input	Differential PECL/ECL Input: The signal inputs include internal 75 k $\Omega$ pull-down resistors. If inputs are left open, Q output will default to LOW. See <b>Section 3.0 “Input Interface Application”</b> for single-ended inputs.
7, 6	Q, /Q	100K ECL Output	Differential PECL/ECL Output: Q output defaults to LOW if D inputs left open. See <b>Section 4.0 “Termination Recommendations”</b> for recommendations on terminations.
8	VCC	Positive Power Supply	Positive Power Supply: Bypass with 0.1 $\mu$ F//0.01 $\mu$ F low ESR capacitors.
5	VEE Exposed Pad	Negative Power Supply	Negative Power Supply: VEE and exposed pad must be tied to most negative supply. For PECL/LVPECL connect to ground.
4	VBB	Reference Voltage Output	Bias Voltage: $V_{CC} - 1.32V$ . Used as reference voltage when AC coupling to the D, /D inputs. Max sink/source is $\pm 0.5$ mA.
1	NC	—	No connection.

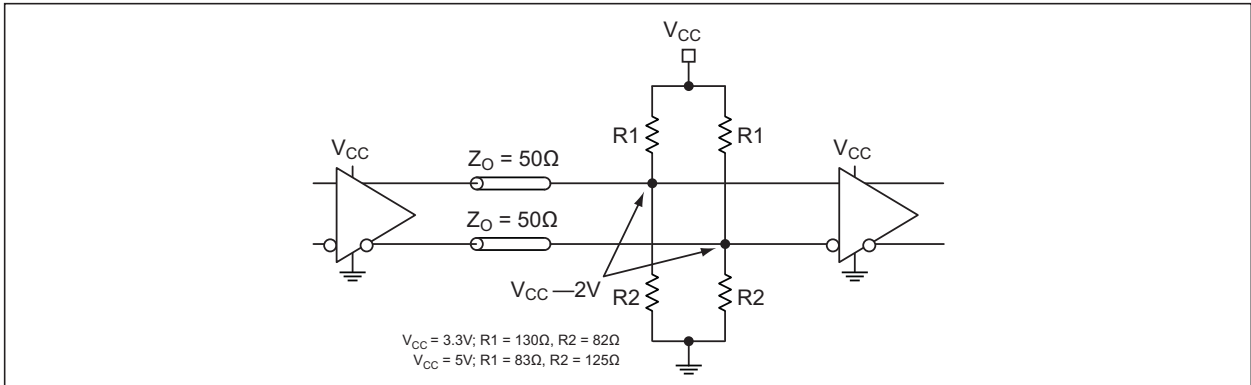
# SY89306V

## 3.0 INPUT INTERFACE APPLICATION

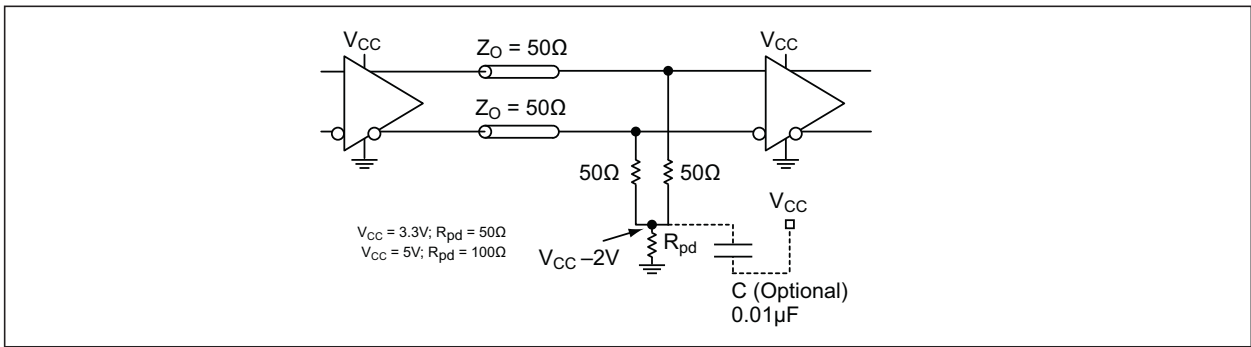


**FIGURE 3-1:** Single-Ended LVPECL Input (Terminating Unused Input).

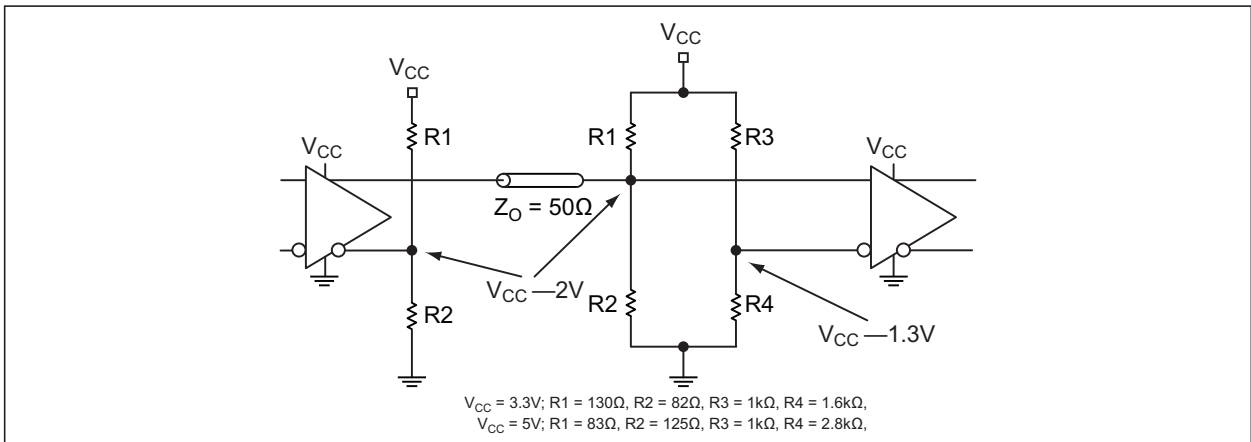
## 4.0 TERMINATION RECOMMENDATIONS



**FIGURE 4-1:** Parallel Thevenin-Equivalent Termination.



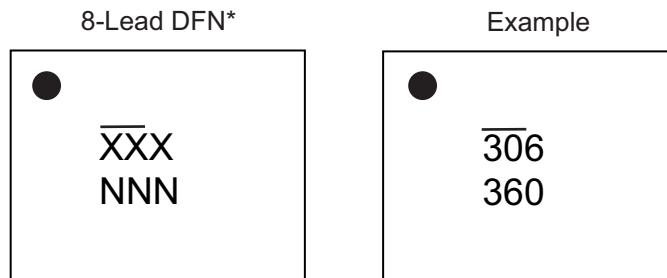
**FIGURE 4-2:** Three Resistor Y - Termination.



**FIGURE 4-3:** Terminating Unused I/O.

## 5.0 PACKAGING INFORMATION

### 5.1 Package Marking Information



<b>Legend:</b>	XX...X	Product code or customer-specific information
	Y	Year code (last digit of calendar year)
	YY	Year code (last 2 digits of calendar year)
	WW	Week code (week of January 1 is week '01')
	NNN	Alphanumeric traceability code
	(e3)	Pb-free JEDEC® designator for Matte Tin (Sn)
	*	This package is Pb-free. The Pb-free JEDEC designator ((e3)) can be found on the outer packaging for this package.
	●, ▲, ▼	Pin one index is identified by a dot, delta up, or delta down (triangle mark).
<b>Note:</b>	In the event the full Microchip part number cannot be marked on one line, it will be carried over to the next line, thus limiting the number of available characters for customer-specific information. Package may or may not include the corporate logo.	
	Underbar (¯) and/or Overbar (¯) symbol may not be to scale.	

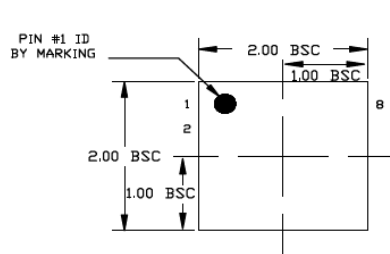


**TITLE**

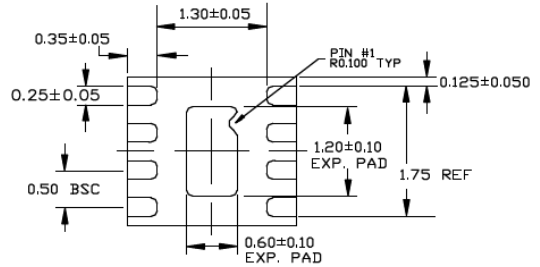
8 LEAD DFN 2x2mm PACKAGE OUTLINE & RECOMMENDED LAND PATTERN

**DRAWING #** DFN22-8LD-PL-1

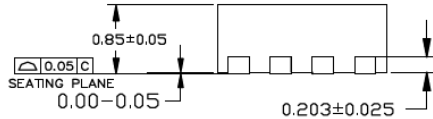
**UNIT** MM



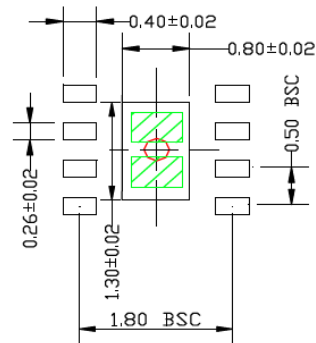
**TOP VIEW**  
NOTE: 1, 2, 3



**BOTTOM VIEW**  
NOTE: 1, 2, 3



**END VIEW**  
NOTE: 1, 2, 3



**RECOMMENDED LAND PATTERN**  
NOTE: 4, 5

**NOTE:**

1. MAX PACKAGE WARPAGE IS 0.05 MM
2. MAX ALLOWABLE BURR IS 0.076MM IN ALL DIRECTIONS
3. PIN #1 IS ON TOP WILL BE LASER MARKED
4. RED CIRCLE IN LAND PATTERN INDICATE THERMAL VIA. SIZE SHOULD BE 0.30-0.35MM IN DIAMETER AND SHOULD BE CONNECTED TO GND FOR MAX THERMAL PERFORMANCE
5. GREEN RECTANGLES (SHADED AREA) INDICATE SOLDER STENCIL OPENING ON EXPOSED PAD AREA. SIZE SHOULD BE 0.60x0.40 MM IN SIZE, 0.20 MM SPACING.

Note: For the most current package drawings, please see the Microchip Packaging Specification located at <http://www.microchip.com/packaging>.

# SY89306V

---

NOTES:

## APPENDIX A: REVISION HISTORY

### Revision A (June 2019)

- Converted Micrel document SY89306V to Microchip data sheet DS20006211A.
- Minor text changes throughout.
- Removed all reference to the EOL SY89316V.
- Updated DC and AC parameter tables in the **1.0** “**Electrical Characteristics**” section.

# SY89306V

---

NOTES:

## PRODUCT IDENTIFICATION SYSTEM

To order or obtain information, e.g., on pricing or delivery, contact your local Microchip representative or sales office.

<u>PART NO.</u>	<u>-X</u>	<u>X</u>	<u>X</u>	<u>-XX</u>	<b>Examples:</b>
Device	Voltage Option	Package	Temperature Range	Special Processing	
<b>Device:</b>	SY89306:	2.5 GHz Differential PECL/ECL Receiver/Buffer			a) SY89306VMG-TR: 2.5 GHz Differential PECL/ECL Receiver/Buffer, 3.3V/5V, -40°C to +85°C, 8-Lead DFN, 1,000/Reel  <b>Note 1:</b> Tape and Reel identifier only appears in the catalog part number description. This identifier is used for ordering purposes and is not printed on the device package. Check with your Microchip Sales Office for package availability with the Tape and Reel option.
<b>Voltage Option:</b>	V	=	3.3V, 5V		
<b>Package:</b>	M	=	8-Lead DFN		
<b>Temperature Range:</b>	G	=	-40°C to +85°C (NiPdAu Pb-Free)		
<b>Special Processing:</b>	TR	=	1,000/Reel		

# SY89306V

---

NOTES:

---

---

**Note the following details of the code protection feature on Microchip devices:**

- Microchip products meet the specification contained in their particular Microchip Data Sheet.
- Microchip believes that its family of products is one of the most secure families of its kind on the market today, when used in the intended manner and under normal conditions.
- There are dishonest and possibly illegal methods used to breach the code protection feature. All of these methods, to our knowledge, require using the Microchip products in a manner outside the operating specifications contained in Microchip's Data Sheets. Most likely, the person doing so is engaged in theft of intellectual property.
- Microchip is willing to work with the customer who is concerned about the integrity of their code.
- Neither Microchip nor any other semiconductor manufacturer can guarantee the security of their code. Code protection does not mean that we are guaranteeing the product as “unbreakable.”

Code protection is constantly evolving. We at Microchip are committed to continuously improving the code protection features of our products. Attempts to break Microchip's code protection feature may be a violation of the Digital Millennium Copyright Act. If such acts allow unauthorized access to your software or other copyrighted work, you may have a right to sue for relief under that Act.

---

Information contained in this publication regarding device applications and the like is provided only for your convenience and may be superseded by updates. It is your responsibility to ensure that your application meets with your specifications. MICROCHIP MAKES NO REPRESENTATIONS OR WARRANTIES OF ANY KIND WHETHER EXPRESS OR IMPLIED, WRITTEN OR ORAL, STATUTORY OR OTHERWISE, RELATED TO THE INFORMATION, INCLUDING BUT NOT LIMITED TO ITS CONDITION, QUALITY, PERFORMANCE, MERCHANTABILITY OR FITNESS FOR PURPOSE. Microchip disclaims all liability arising from this information and its use. Use of Microchip devices in life support and/or safety applications is entirely at the buyer's risk, and the buyer agrees to defend, indemnify and hold harmless Microchip from any and all damages, claims, suits, or expenses resulting from such use. No licenses are conveyed, implicitly or otherwise, under any Microchip intellectual property rights unless otherwise stated.

### Trademarks

The Microchip name and logo, the Microchip logo, Adaptec, AnyRate, AVR, AVR logo, AVR Freaks, BesTime, BitCloud, chipKIT, chipKIT logo, CryptoMemory, CryptoRF, dsPIC, FlashFlex, flexPWR, HELDO, IGLOO, JukeBlox, KeeLoq, Klear, LANCheck, LinkMD, maXStylus, maXTouch, MediaLB, megaAVR, Microsemi, Microsemi logo, MOST, MOST logo, MPLAB, OptoLyzer, PackeTime, PIC, picoPower, PICSTART, PIC32 logo, PolarFire, Prochip Designer, QTouch, SAM-BA, SenGenuity, SpyNIC, SST, SST Logo, SuperFlash, Symmetricom, SyncServer, Tachyon, TempTrackr, TimeSource, tinyAVR, UNI/O, Vectron, and XMEGA are registered trademarks of Microchip Technology Incorporated in the U.S.A. and other countries.

APT, ClockWorks, The Embedded Control Solutions Company, EtherSynch, FlashTec, Hyper Speed Control, HyperLight Load, IntelliMOS, Libero, motorBench, mTouch, Powermite 3, Precision Edge, ProASIC, ProASIC Plus, ProASIC Plus logo, Quiet-Wire, SmartFusion, SyncWorld, Temux, TimeCesium, TimeHub, TimePictra, TimeProvider, Vite, WinPath, and ZL are registered trademarks of Microchip Technology Incorporated in the U.S.A.

Adjacent Key Suppression, AKS, Analog-for-the-Digital Age, Any Capacitor, AnyIn, AnyOut, BlueSky, BodyCom, CodeGuard, CryptoAuthentication, CryptoAutomotive, CryptoCompanion, CryptoController, dsPICDEM, dsPICDEM.net, Dynamic Average Matching, DAM, ECAN, EtherGREEN, In-Circuit Serial Programming, ICSP, INICnet, Inter-Chip Connectivity, JitterBlocker, KlearNet, KlearNet logo, memBrain, Mindi, MiWi, MPASM, MPF, MPLAB Certified logo, MPLIB, MPLINK, MultiTRAK, NetDetach, Omniscient Code Generation, PICDEM, PICDEM.net, PICKit, PICtail, PowerSmart, PureSilicon, QMatrix, REAL ICE, Ripple Blocker, SAM-ICE, Serial Quad I/O, SMART-I.S., SQI, SuperSwitcher, SuperSwitcher II, Total Endurance, TSHARC, USBCheck, VariSense, ViewSpan, WiperLock, Wireless DNA, and ZENA are trademarks of Microchip Technology Incorporated in the U.S.A. and other countries.

SQTP is a service mark of Microchip Technology Incorporated in the U.S.A.

The Adaptec logo, Frequency on Demand, Silicon Storage Technology, and Symmcom are registered trademarks of Microchip Technology Inc. in other countries.

GestIC is a registered trademark of Microchip Technology Germany II GmbH & Co. KG, a subsidiary of Microchip Technology Inc., in other countries.

All other trademarks mentioned herein are property of their respective companies.

© 2019, Microchip Technology Incorporated, All Rights Reserved.

ISBN: 978-1-5224-4710-8

For information regarding Microchip's Quality Management Systems, please visit [www.microchip.com/quality](http://www.microchip.com/quality).



# MICROCHIP

## Worldwide Sales and Service

### AMERICAS

**Corporate Office**  
2355 West Chandler Blvd.  
Chandler, AZ 85224-6199  
Tel: 480-792-7200  
Fax: 480-792-7277  
Technical Support:  
<http://www.microchip.com/support>  
Web Address:  
[www.microchip.com](http://www.microchip.com)

#### Atlanta

Duluth, GA  
Tel: 678-957-9614  
Fax: 678-957-1455

#### Austin, TX

Tel: 512-257-3370

#### Boston

Westborough, MA  
Tel: 774-760-0087  
Fax: 774-760-0088

#### Chicago

Itasca, IL  
Tel: 630-285-0071  
Fax: 630-285-0075

#### Dallas

Addison, TX  
Tel: 972-818-7423  
Fax: 972-818-2924

#### Detroit

Novi, MI  
Tel: 248-848-4000

#### Houston, TX

Tel: 281-894-5983

#### Indianapolis

Noblesville, IN  
Tel: 317-773-8323  
Fax: 317-773-5453  
Tel: 317-536-2380

#### Los Angeles

Mission Viejo, CA  
Tel: 949-462-9523  
Fax: 949-462-9608  
Tel: 951-273-7800

#### Raleigh, NC

Tel: 919-844-7510

#### New York, NY

Tel: 631-435-6000

#### San Jose, CA

Tel: 408-735-9110  
Tel: 408-436-4270

#### Canada - Toronto

Tel: 905-695-1980  
Fax: 905-695-2078

### ASIA/PACIFIC

#### Australia - Sydney

Tel: 61-2-9868-6733

#### China - Beijing

Tel: 86-10-8569-7000

#### China - Chengdu

Tel: 86-28-8665-5511

#### China - Chongqing

Tel: 86-23-8980-9588

#### China - Dongguan

Tel: 86-769-8702-9880

#### China - Guangzhou

Tel: 86-20-8755-8029

#### China - Hangzhou

Tel: 86-571-8792-8115

#### China - Hong Kong SAR

Tel: 852-2943-5100

#### China - Nanjing

Tel: 86-25-8473-2460

#### China - Qingdao

Tel: 86-532-8502-7355

#### China - Shanghai

Tel: 86-21-3326-8000

#### China - Shenyang

Tel: 86-24-2334-2829

#### China - Shenzhen

Tel: 86-755-8864-2200

#### China - Suzhou

Tel: 86-186-6233-1526

#### China - Wuhan

Tel: 86-27-5980-5300

#### China - Xian

Tel: 86-29-8833-7252

#### China - Xiamen

Tel: 86-592-2388138

#### China - Zhuhai

Tel: 86-756-3210040

### ASIA/PACIFIC

#### India - Bangalore

Tel: 91-80-3090-4444

#### India - New Delhi

Tel: 91-11-4160-8631

#### India - Pune

Tel: 91-20-4121-0141

#### Japan - Osaka

Tel: 81-6-6152-7160

#### Japan - Tokyo

Tel: 81-3-6880-3770

#### Korea - Daegu

Tel: 82-53-744-4301

#### Korea - Seoul

Tel: 82-2-554-7200

#### Malaysia - Kuala Lumpur

Tel: 60-3-7651-7906

#### Malaysia - Penang

Tel: 60-4-227-8870

#### Philippines - Manila

Tel: 63-2-634-9065

#### Singapore

Tel: 65-6334-8870

#### Taiwan - Hsin Chu

Tel: 886-3-577-8366

#### Taiwan - Kaohsiung

Tel: 886-7-213-7830

#### Taiwan - Taipei

Tel: 886-2-2508-8600

#### Thailand - Bangkok

Tel: 66-2-694-1351

#### Vietnam - Ho Chi Minh

Tel: 84-28-5448-2100

### EUROPE

#### Austria - Wels

Tel: 43-7242-2244-39  
Fax: 43-7242-2244-393

#### Denmark - Copenhagen

Tel: 45-4450-2828  
Fax: 45-4485-2829

#### Finland - Espoo

Tel: 358-9-4520-820

#### France - Paris

Tel: 33-1-69-53-63-20  
Fax: 33-1-69-30-90-79

#### Germany - Garching

Tel: 49-8931-9700

#### Germany - Haan

Tel: 49-2129-3766400

#### Germany - Heilbronn

Tel: 49-7131-72400

#### Germany - Karlsruhe

Tel: 49-721-625370

#### Germany - Munich

Tel: 49-89-627-144-0  
Fax: 49-89-627-144-44

#### Germany - Rosenheim

Tel: 49-8031-354-560

#### Israel - Ra'anana

Tel: 972-9-744-7705

#### Italy - Milan

Tel: 39-0331-742611  
Fax: 39-0331-466781

#### Italy - Padova

Tel: 39-049-7625286

#### Netherlands - Drunen

Tel: 31-416-690399  
Fax: 31-416-690340

#### Norway - Trondheim

Tel: 47-7288-4388

#### Poland - Warsaw

Tel: 48-22-3325737

#### Romania - Bucharest

Tel: 40-21-407-87-50

#### Spain - Madrid

Tel: 34-91-708-08-90  
Fax: 34-91-708-08-91

#### Sweden - Gothenberg

Tel: 46-31-704-60-40

#### Sweden - Stockholm

Tel: 46-8-5090-4654

#### UK - Wokingham

Tel: 44-118-921-5800  
Fax: 44-118-921-5820