

2.2GHz Low Noise, Low Distortion Differential ADC Driver for DC-300MHz

FEATURES

- 2.2GHz –3dB Bandwidth
- Fixed Gain of 2.5V/V (8dB)
- –99dBc IMD3 at 70MHz (Equivalent OIP3 = 53.4dBm)
- –61dBc IMD3 at 300MHz (Equivalent OIP3 = 34.8dBm)
- 1nV/√Hz Internal Op Amp Noise
- 7.6dB Noise Figure
- Differential Inputs and Outputs
- 400Ω Input Impedance
- 2.85V to 3.5V Supply Voltage
- 85mA Supply Current (255mW)
- 1V to 1.6V Output Common Mode, Adjustable
- DC- or AC-Coupled Operation
- Max Differential Output Swing 4.8V_{P-P}
- Small 16-Lead 3mm × 3mm × 0.75mm QFN Package

APPLICATIONS

- Differential ADC Driver
- Differential Driver/Receiver
- Single Ended to Differential Conversion
- IF Sampling Receivers
- SAW Filter Interfacing

DESCRIPTION

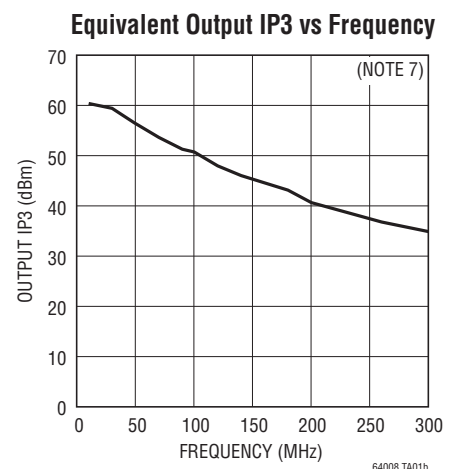
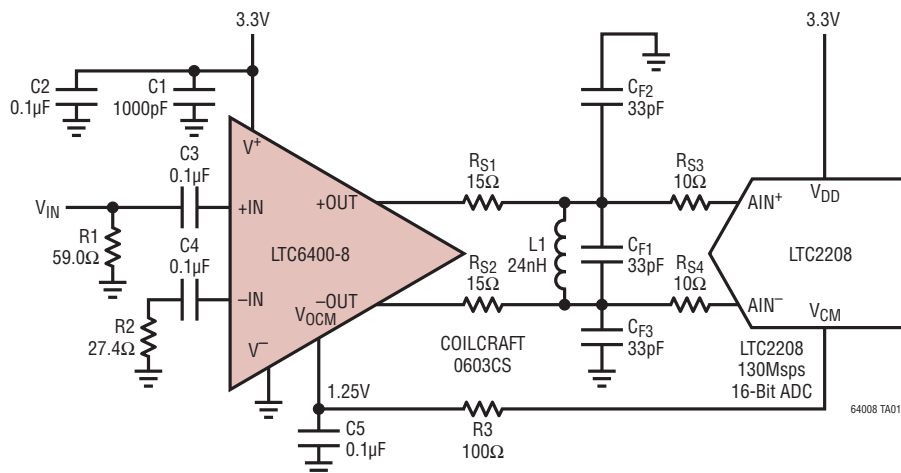
The LTC[®]6400-8 is a high-speed differential amplifier targeted at processing signals from DC to 300MHz. The part has been specifically designed to drive 12-, 14- and 16-bit ADCs with low noise and low distortion, but can also be used as a general-purpose broadband gain block.

The LTC6400-8 is easy to use, with minimal support circuitry required. The output common mode voltage is set using an external pin, independent of the inputs, which eliminates the need for transformers or AC-coupling capacitors in many applications. The gain is internally fixed at 8dB (2.5V/V).

The LTC6400-8 saves space and power compared to alternative solutions using IF gain blocks and transformers. The LTC6400-8 is packaged in a compact 16-lead 3mm × 3mm QFN package and operates over the –40°C to 85°C temperature range.

LT, LT, LTC and LTM are registered trademarks of Linear Technology Corporation. All other trademarks are the property of their respective owners.

TYPICAL APPLICATION



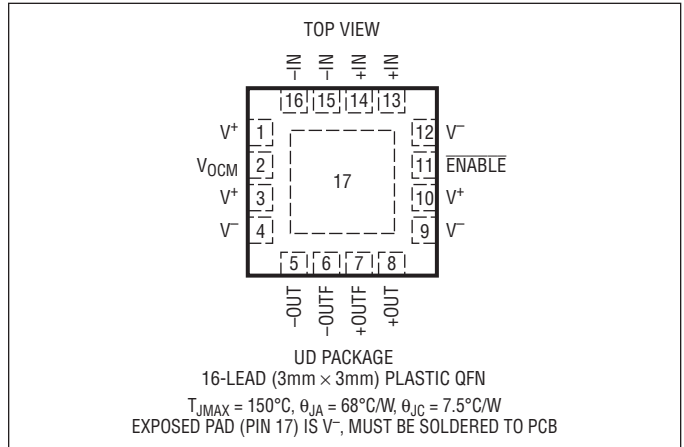
LTC6400-8

ABSOLUTE MAXIMUM RATINGS

(Note 1)

| | |
|--------------------------------------|------------------------------------------------|
| Supply Voltage ($V_{CC} - V_{EE}$) | 3.6V |
| Input Current (Note 2) | $\pm 10\text{mA}$ |
| Operating Temperature Range | |
| (Note 3) | -40°C to 85°C |
| Specified Temperature Range | |
| (Note 4) | -40°C to 85°C |
| Storage Temperature Range | -65°C to 150°C |
| Maximum Junction Temperature | 150°C |

PIN CONFIGURATION



ORDER INFORMATION

| LEAD FREE FINISH | TAPE AND REEL | PART MARKING* | PACKAGE DESCRIPTION | SPECIFIED TEMPERATURE RANGE |
|------------------|--------------------|---------------|---------------------------------|-----------------------------------------------|
| LTC6400CUD-8#PBF | LTC6400CUD-8#TRPBF | LCCQ | 16-Lead (3mm x 3mm) Plastic QFN | 0°C to 70°C |
| LTC6400IUD-8#PBF | LTC6400IUD-8#TRPBF | LCCQ | 16-Lead (3mm x 3mm) Plastic QFN | -40°C to 85°C |

Consult LTC Marketing for parts specified with wider operating temperature ranges. *The temperature grade is identified by a label on the shipping container. Consult LTC Marketing for information on non-standard lead based finish parts.

For more information on lead free part marking, go to: <http://www.linear.com/leadfree/>

For more information on tape and reel specifications, go to: <http://www.linear.com/tapeandreel/>

LTC6400 AND LTC6401 SELECTOR GUIDE Please check each datasheet for complete details.

| PART NUMBER | GAIN (dB) | GAIN (V/V) | Z_{IN} (DIFFERENTIAL) (Ω) | I_{CC} (mA) |
|-------------|-----------|------------|--------------------------------------|---------------|
| LTC6401-8 | 8 | 2.5 | 400 | 45 |
| LTC6401-14 | 14 | 5 | 200 | 45 |
| LTC6401-20 | 20 | 10 | 200 | 50 |
| LTC6401-26 | 26 | 20 | 50 | 45 |
| LTC6400-8 | 8 | 2.5 | 400 | 85 |
| LTC6400-14 | 14 | 5 | 200 | 85 |
| LTC6400-20 | 20 | 10 | 200 | 90 |
| LTC6400-26 | 26 | 20 | 50 | 85 |

In addition to the LTC6400 family of amplifiers, a lower power LTC6401 family is available. The LTC6401 is pin compatible to the LTC6400, and has the same low noise performance. The lower power consumption of the LTC6401 comes at the expense of slightly higher non-linearity, especially at input frequencies above 140MHz. Please refer to the separate LTC6401 data sheets for complete details.

DC ELECTRICAL CHARACTERISTICS

The ● denotes the specifications which apply over the full operating temperature range, otherwise specifications are at $T_A = 25^\circ\text{C}$. $V^+ = 3\text{V}$, $V^- = 0\text{V}$, $+IN = -IN = V_{OCM} = 1.25\text{V}$, $\text{ENABLE} = 0\text{V}$, No R_L unless otherwise noted.

| SYMBOL | PARAMETER | CONDITIONS | | MIN | TYP | MAX | UNITS |
|-------------------------------------------|-----------------------------------------------------|------------------------------------------------------|---|------------|-------|----------|------------------------------|
| Input/Output Characteristic | | | | | | | |
| G_{DIFF} | Gain | $V_{IN} = \pm 400\text{mV}$ Differential | ● | 7.5 | 8 | 8.5 | dB |
| TC_{GAIN} | Gain Temperature Drift | $V_{IN} = \pm 400\text{mV}$ Differential | ● | | -0.13 | | mdB/ $^\circ\text{C}$ |
| $V_{SWINGMIN}$ | Output Swing Low | Each Output, $V_{IN} = \pm 1.6\text{V}$ Differential | ● | | 74 | 170 | mV |
| $V_{SWINGMAX}$ | Output Swing High | Each Output, $V_{IN} = \pm 1.6\text{V}$ Differential | ● | 2.3 | 2.48 | | V |
| $V_{OUTDIFFMAX}$ | Maximum Differential Output Swing | 1dB Compressed | ● | | 4.8 | | V_{P-P} |
| I_{OUT} | Output Current Drive | $V_{OUT} > 2V_{P-P,DIFF}$ | ● | 20 | | | mA |
| V_{OS} | Input Offset Voltage | Differential | ● | -5 | | 5 | mV |
| TCV_{OS} | Input Offset Voltage Drift | Differential | ● | | 2 | | $\mu\text{V}/^\circ\text{C}$ |
| I_{VRMIN} | Input Common Mode Voltage Range, MIN | | | | | 1 | V |
| I_{VRMAX} | Input Common Mode Voltage Range, MAX | | | 1.8 | | | V |
| R_{INDIFF} | Input Resistance (+IN, -IN) | Differential | ● | 340 | 400 | 460 | Ω |
| C_{INDIFF} | Input Capacitance (+IN, -IN) | Differential, Includes Parasitic | | | 1 | | pF |
| $R_{OUTDIFF}$ | Output Resistance (+OUT, -OUT) | Differential | ● | 18 | 25 | 32 | Ω |
| $R_{OUTFDIFF}$ | Filtered Output Resistance (+OUTF, -OUTF) | Differential | ● | 85 | 100 | 115 | Ω |
| $C_{OUTFDIFF}$ | Filtered Output Capacitance (+OUTF, -OUTF) | Differential, Includes Parasitic | | | 2.7 | | pF |
| CMRR | Common Mode Rejection Ratio | Input Common Mode Voltage 1.1V-1.7V | ● | 39 | 55 | | dB |
| Output Common Mode Voltage Control | | | | | | | |
| G_{CM} | Common Mode Gain | $V_{OCM} = 1\text{V}$ to 1.6V | | | 1 | | V/V |
| V_{OCMMIN} | Output Common Mode Range, MIN | | ● | | | 1 1.1 | V V |
| V_{OCMMAX} | Output Common Mode Range, MAX | | ● | 1.6 1.5 | | | V V |
| V_{OSCM} | Common Mode Offset Voltage | $V_{OCM} = 1.1\text{V}$ to 1.5V | ● | -15 | | 15 | mV |
| TCV_{OSCM} | Common Mode Offset Voltage Drift | | ● | | 6 | | $\mu\text{V}/^\circ\text{C}$ |
| $I_{V_{OCM}}$ | V_{OCM} Input Current | | ● | | 4.5 | 15 | μA |
| ENABLE Pin | | | | | | | |
| V_{IL} | ENABLE Input Low Voltage | | ● | | | 0.8 | V |
| V_{IH} | ENABLE Input High Voltage | | ● | 2.4 | | | V |
| I_{IL} | ENABLE Input Low Current | ENABLE = 0.8V | ● | | | 0.5 | μA |
| I_{IH} | ENABLE Input High Current | ENABLE = 2.4V | ● | | 1.3 | 4 | μA |
| Power Supply | | | | | | | |
| V_S | Operating Supply Range | | ● | 2.85 | 3 | 3.5 | V |
| I_S | Supply Current | ENABLE = 0.8V, Input and Output Floating | ● | 70 | 85 | 95 | mA |
| I_{SHDN} | Shutdown Supply Current | ENABLE = 2.4V, Input and Output Floating | ● | | 0.9 | 3 | mA |
| PSRR | Power Supply Rejection Ratio (Differential Outputs) | $V^+ = 2.85\text{V}$ to 3.5V | ● | 50 | 68 | | dB |

AC ELECTRICAL CHARACTERISTICSSpecifications are at $T_A = 25^\circ\text{C}$. $V^+ = 3\text{V}$, $V^- = 0\text{V}$, $V_{\text{OCM}} = 1.25\text{V}$,ENABLE = 0V, No R_L unless otherwise noted.

| SYMBOL | PARAMETER | CONDITIONS | MIN | TYP | MAX | UNITS |
|-----------------------------------|-------------------------------------------|------------------------------------------------------------------------------------|-----|------|-----|------------------|
| -3dBBW | -3dB Bandwidth | 200mV _{P-P,OUT} (Note 6) | 1.2 | 2.2 | | GHz |
| 0.5dBBW | Bandwidth for 0.5dB Flatness | 200mV _{P-P,OUT} (Note 6) | | 0.43 | | GHz |
| 0.1dBBW | Bandwidth for 0.1dB Flatness | 200mV _{P-P,OUT} (Note 6) | | 0.2 | | GHz |
| 1/f | 1/f Noise Corner | | | 16.5 | | kHz |
| SR | Slew Rate | $V_{\text{OUT}} = 2\text{V}$ Step (Note 6) | | 3810 | | V/ μs |
| $t_{\text{S}1\%}$ | 1% Settling Time | $V_{\text{OUT}} = 2V_{\text{P-P}}$ (Note 6) | | 1.8 | | ns |
| t_{OVR} | Overdrive Recovery Time | $V_{\text{OUT}} = 1.9V_{\text{P-P}}$ (Note 6) | | 18 | | ns |
| t_{ON} | Turn-On Time | Differential Output Reaches 90% of Steady State Value | | 10 | | ns |
| t_{OFF} | Turn-Off Time | Differential Output Drops to 10% of Original Value | | 12 | | ns |
| -3dBBW _{V_{OCM}} | V_{OCM} Pin Small Signal -3dB BW | 0.1V _{P-P} at V_{OCM} , Measured Single-Ended at Output (Note 6) | | 14 | | MHz |

10MHz Input Signal

| | | | | |
|----------------------------|--------------------------------------------------------------------------|-----------------------------------------------------------------|-----------|------------------------|
| HD2,10M/HD3,10M | Second/Third Order Harmonic Distortion | $V_{\text{OUT}} = 2V_{\text{P-P}}$, $R_L = 200\Omega$ | -118/-98 | dBc |
| | | $V_{\text{OUT}} = 2V_{\text{P-P}}$, No R_L | -120/-109 | dBc |
| IMD3,10M | Third-Order Intermodulation (f1 = 9.5MHz f2 = 10.5MHz) | $V_{\text{OUT}} = 2V_{\text{P-P}}$ Composite, $R_L = 200\Omega$ | -99 | dBc |
| | | $V_{\text{OUT}} = 2V_{\text{P-P}}$ Composite, No R_L | -112 | dBc |
| OIP3,10M | Equivalent Third-Order Output Intercept Point (f1 = 9.5MHz f2 = 10.5MHz) | $V_{\text{OUT}} = 2V_{\text{P-P}}$ Composite, No R_L (Note 7) | 60 | dBm |
| P1dB,10M | 1dB Compression Point | $R_L = 375\Omega$ (Notes 5, 7) | 18.2 | dBm |
| NF10M | Noise Figure | $R_S = 400\Omega$, $R_L = 375\Omega$ | 7.6 | dB |
| $e_{\text{IN},10\text{M}}$ | Input Referred Voltage Noise Density | Includes Resistors (Short Inputs) | 3.7 | nV/ $\sqrt{\text{Hz}}$ |
| $e_{\text{ON},10\text{M}}$ | Output Referred Voltage Noise Density | Includes Resistors (Short Inputs) | 9.3 | nV/ $\sqrt{\text{Hz}}$ |

70MHz Input Signal

| | | | | |
|----------------------------|---------------------------------------------------------------------------|-----------------------------------------------------------------|----------|------------------------|
| HD2,70M/HD3,70M | Second/Third Order Harmonic Distortion | $V_{\text{OUT}} = 2V_{\text{P-P}}$, $R_L = 200\Omega$ | -97/-85 | dBc |
| | | $V_{\text{OUT}} = 2V_{\text{P-P}}$, No R_L | -100/-98 | dBc |
| IMD3,70M | Third-Order Intermodulation (f1 = 69.5MHz f2 = 70.5MHz) | $V_{\text{OUT}} = 2V_{\text{P-P}}$ Composite, $R_L = 200\Omega$ | -90 | dBc |
| | | $V_{\text{OUT}} = 2V_{\text{P-P}}$ Composite, No R_L | -99 | dBc |
| OIP3,70M | Equivalent Third-Order Output Intercept Point (f1 = 69.5MHz f2 = 70.5MHz) | $V_{\text{OUT}} = 2V_{\text{P-P}}$ Composite, No R_L (Note 7) | 53.4 | dBm |
| P1dB,70M | 1dB Compression Point | $R_L = 375\Omega$ (Notes 5, 7) | 19.2 | dBm |
| NF70M | Noise Figure | $R_S = 400\Omega$, $R_L = 375\Omega$ | 7.6 | dB |
| $e_{\text{IN},70\text{M}}$ | Input Referred Voltage Noise Density | Includes Resistors (Short Inputs) | 3.7 | nV/ $\sqrt{\text{Hz}}$ |
| $e_{\text{ON},70\text{M}}$ | Output Referred Voltage Noise Density | Includes Resistors (Short Inputs) | 9.3 | nV/ $\sqrt{\text{Hz}}$ |

140MHz Input Signal

| | | | | |
|-----------------------|------------------------------------------------------------------|-----------------------------------------------------|---------|-----|
| HD2,140M/ HD3,140M | Second/Third Order Harmonic Distortion | 2V _{P-P,OUT} , $R_L = 200\Omega$ | -86/-71 | dBc |
| | | 2V _{P-P,OUT} , No R_L | -91/-81 | dBc |
| IMD3,140M | Third-Order Intermodulation (f1 = 139.5MHz f2 = 140.5MHz) | 2V _{P-P,OUT} Composite, $R_L = 200\Omega$ | -79 | dBc |
| | | 2V _{P-P,OUT} Composite, No R_L | -84 | dBc |
| OIP3,140M | Third-Order Output Intercept Point (f1 = 139.5MHz f2 = 140.5MHz) | 2V _{P-P,OUT} Composite, No R_L (Notes 7) | 45.8 | dBm |

AC ELECTRICAL CHARACTERISTICSSpecifications are at $T_A = 25^\circ\text{C}$. $V^+ = 3\text{V}$, $V^- = 0\text{V}$, $V_{\text{OCM}} = 1.25\text{V}$,ENABLE = 0V, No R_L unless otherwise noted.

| SYMBOL | PARAMETER | CONDITIONS | MIN | TYP | MAX | UNITS |
|-----------------------------|------------------------------------------------------------------------------------------------------|---------------------------------------------------|-----|---------|-----|------------------------------|
| P1dB,140M | 1dB Compression Point | $R_L = 375\Omega$ (Notes 5, 7) | | 19.2 | | dBm |
| NF140M | Noise Figure | $R_S = 400\Omega$, $R_L = 375\Omega$ | | 7.7 | | dB |
| $e_{\text{IN},140\text{M}}$ | Input Referred Voltage Noise Density | Includes Resistors (Short Inputs) | | 3.7 | | $\text{nV}/\sqrt{\text{Hz}}$ |
| $e_{\text{ON},140\text{M}}$ | Output Referred Voltage Noise Density | Includes Resistors (Short Inputs) | | 9.3 | | $\text{nV}/\sqrt{\text{Hz}}$ |
| 240MHz Input Signal | | | | | | |
| HD2,240M/ HD3,240M | Second-Order Harmonic Distortion | $2V_{\text{P-POUT}}$, $R_L = 200\Omega$ | | -71/-53 | | dBc |
| | | $2V_{\text{P-POUT}}$, No R_L | | -73/-59 | | dBc |
| IMD3,240M | Third-Order Intermodulation ($f_1 = 239.5\text{MHz}$ $f_2 = 240.5\text{MHz}$) | $2V_{\text{P-POUT}}$ Composite, $R_L = 200\Omega$ | | -64 | | dBc |
| | | $2V_{\text{P-POUT}}$ Composite, No R_L | | -68 | | dBc |
| OIP3,240M | Third-Order Output Intercept Point ($f_1 = 239.5\text{MHz}$ $f_2 = 240.5\text{MHz}$) | $2V_{\text{P-POUT}}$ Composite, No R_L (Note 7) | | 37.8 | | dBm |
| P1dB,240M | 1dB Compression Point | $R_L = 375\Omega$ (Notes 5, 7) | | 18.2 | | dBm |
| NF240M | Noise Figure | $R_S = 400\Omega$, $R_L = 375\Omega$ | | 8.1 | | dB |
| $e_{\text{N},240\text{M}}$ | Input Referred Voltage Noise Density | Includes Resistors (Short Inputs) | | 3.7 | | $\text{nV}/\sqrt{\text{Hz}}$ |
| $e_{\text{ON},240\text{M}}$ | Output Referred Voltage Noise Density | Includes Resistors (Short Inputs) | | 9.6 | | $\text{nV}/\sqrt{\text{Hz}}$ |
| 300MHz Input Signal | | | | | | |
| HD2,300M/ HD3,300M | Second-Order Harmonic Distortion | $2V_{\text{P-POUT}}$, $R_L = 200\Omega$ | | -67/-46 | | dBc |
| | | $2V_{\text{P-POUT}}$, No R_L | | -69/-50 | | dBc |
| IMD3,300M | Third-Order Intermodulation ($f_1 = 299.5\text{MHz}$ $f_2 = 300.5\text{MHz}$) | $2V_{\text{P-POUT}}$ Composite, $R_L = 200\Omega$ | | -57 | | dBc |
| | | $2V_{\text{P-POUT}}$ Composite, No R_L | | -61 | | dBc |
| OIP3,300M | Third-Order Output Intercept Point ($f_1 = 299.5\text{MHz}$ $f_2 = 300.5\text{MHz}$) | $2V_{\text{P-POUT}}$ Composite, No R_L (Note 7) | | 34.8 | | dBm |
| P1dB,300M | 1dB Compression Point | $R_L = 375\Omega$ (Notes 5, 7) | | 17.6 | | dBm |
| NF300M | Noise Figure | $R_S = 400\Omega$, $R_L = 375\Omega$ | | 8.5 | | dB |
| $e_{\text{N},300\text{M}}$ | Input Referred Voltage Noise Density | Includes Resistors (Short Inputs) | | 3.8 | | $\text{nV}/\sqrt{\text{Hz}}$ |
| $e_{\text{ON},300\text{M}}$ | Output Referred Voltage Noise Density | Includes Resistors (Short Inputs) | | 10 | | $\text{nV}/\sqrt{\text{Hz}}$ |
| IMD3,280M/320M | Third-Order Intermodulation ($f_1 = 280\text{MHz}$ $f_2 = 320\text{MHz}$) Measured at 360MHz | $2V_{\text{P-POUT}}$ Composite, $R_L = 375\Omega$ | | -59 | -53 | dBc |

Note 1: Stresses beyond those listed under Absolute Maximum Ratings may cause permanent damage to the device. Exposure to any Absolute Maximum Rating condition for extended periods may affect device reliability and lifetime.

Note 2: Input pins (+IN, -IN) are protected by steering diodes to either supply. If the inputs go beyond either supply rail, the input current should be limited to less than 10mA.

Note 3: The LTC6400C and LTC6400I are guaranteed functional over the operating temperature range of -40°C to 85°C .

Note 4: The LTC6400C is guaranteed to meet specified performance from 0°C to 70°C . It is designed, characterized and expected to meet specified

performance from -40°C to 85°C but is not tested or QA sampled at these temperatures. The LTC6400I is guaranteed to meet specified performance from -40°C to 85°C .

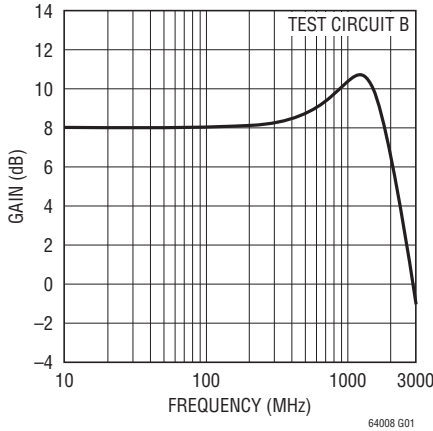
Note 5: Input and output baluns used. See Test Circuit A.

Note 6: Measured using Test Circuit B. $R_L = 87.5\Omega$ per output.

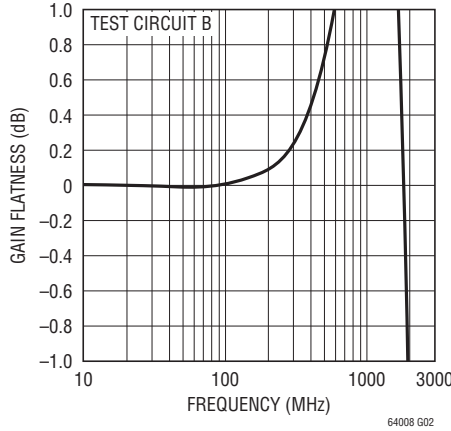
Note 7: Since the LTC6400-8 is a feedback amplifier with low output impedance, a resistive load is not required when driving an AD converter. Therefore, typical output power is very small. In order to compare the LTC6400-8 with amplifiers that require 50Ω output load, the LTC6400-8 output voltage swing driving a given R_L is converted to OIP3 and P1dB as if it were driving a 50Ω load. Using this modified convention, $2V_{\text{P-P}}$ is by definition equal to 10dBm, regardless of actual R_L .

TYPICAL PERFORMANCE CHARACTERISTICS

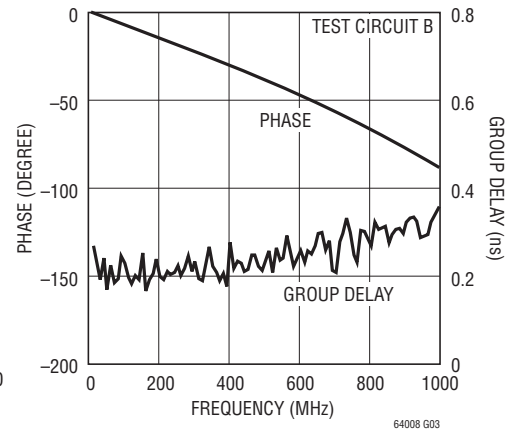
Frequency Response



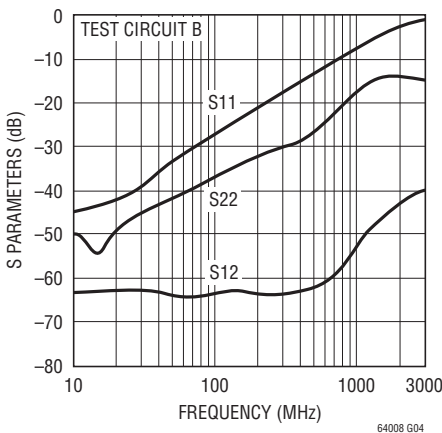
Gain 0.1dB Flatness



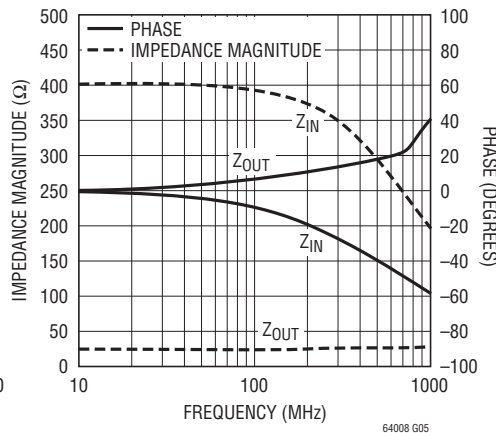
S21 Phase and Group Delay vs Frequency



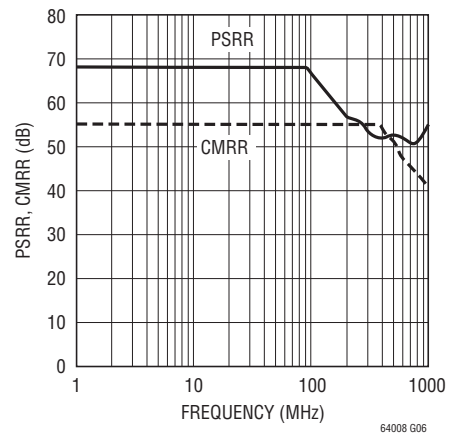
Input and Output Reflection and Reverse Isolation vs Frequency



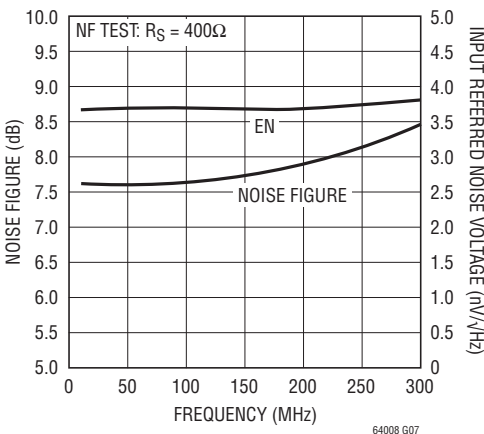
Input and Output Impedance vs Frequency



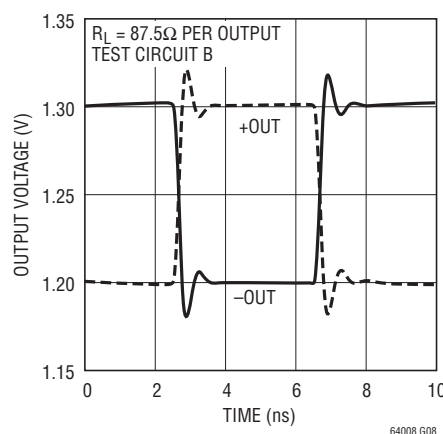
PSRR and CMRR vs Frequency



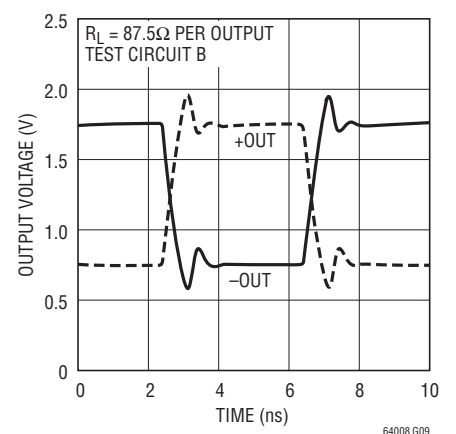
Noise Figure and Input Referred Noise Voltage vs Frequency



Small Signal Transient Response

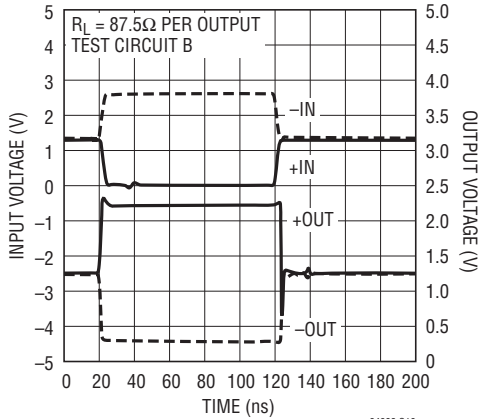


Large Signal Transient Response

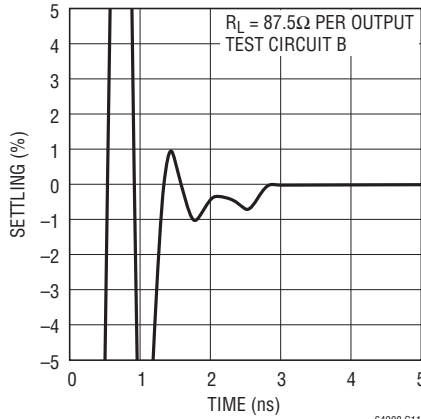


TYPICAL PERFORMANCE CHARACTERISTICS

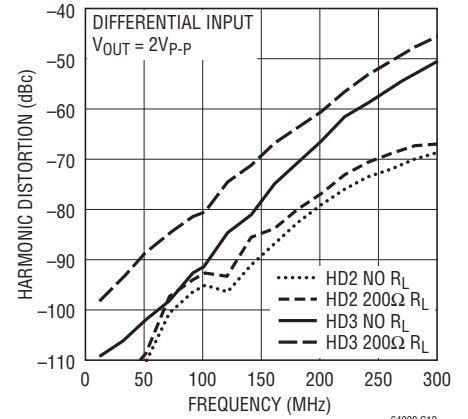
Overdrive Recovery Response



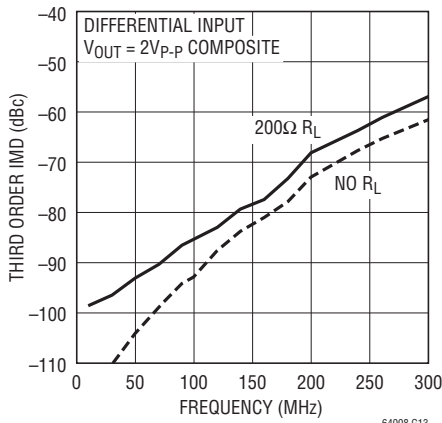
1% Settling Time for 2V Output Step



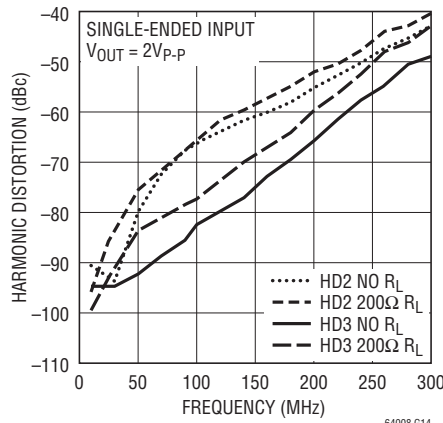
Harmonic Distortion vs Frequency



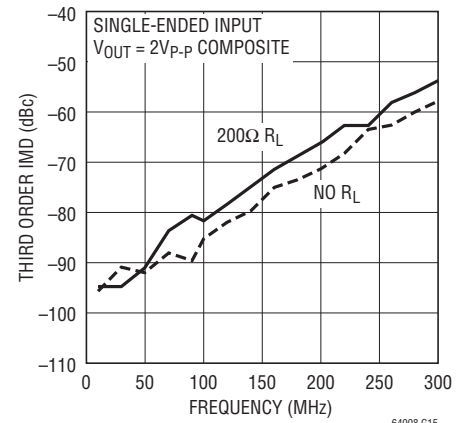
Third Order Intermodulation Distortion vs Frequency



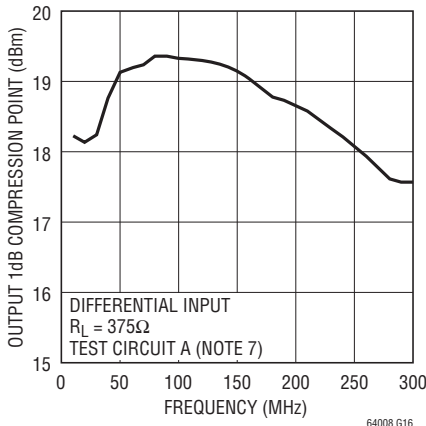
Harmonic Distortion vs Frequency



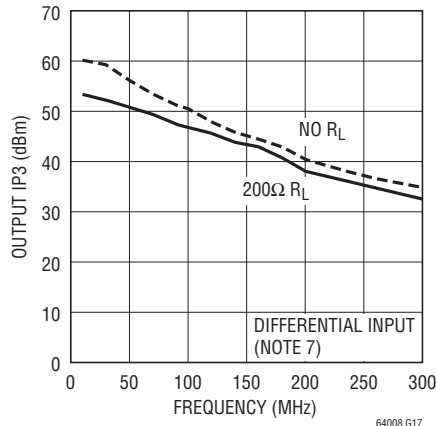
Third Order Intermodulation Distortion vs Frequency



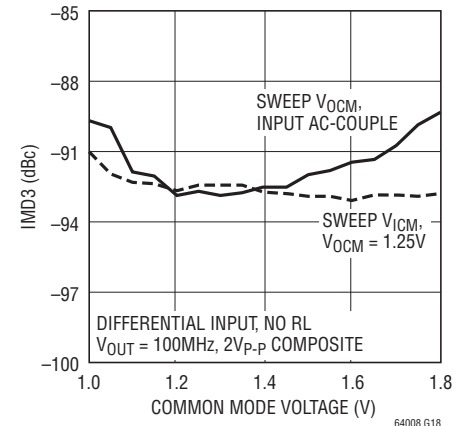
Equivalent Output 1dB Compression Point vs Frequency



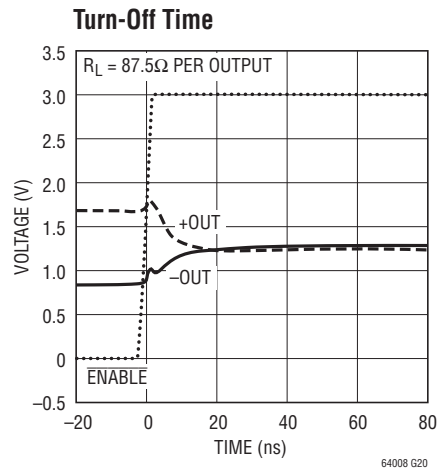
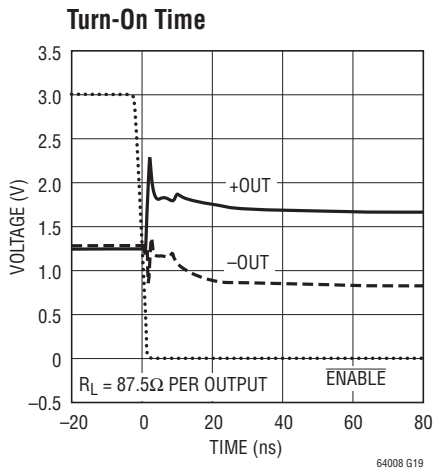
Equivalent Output Third Order Intercept Point vs Frequency



IMD3 vs V_{ICM} and V_{OCM}



TYPICAL PERFORMANCE CHARACTERISTICS



PIN FUNCTIONS

V⁺ (Pins 1, 3, 10): Positive Power Supply (Normally tied to 3V or 3.3V). All three pins must be tied to the same voltage. Bypass each pin with 1000pF and 0.1μF capacitors as close to the pins as possible.

V_{OCM} (Pin 2): This pin sets the output common mode voltage. A 0.1μF external bypass capacitor is recommended.

V⁻ (Pins 4, 9, 12, 17): Negative Power Supply. All four pins must be connected to same voltage/ground.

-OUT, +OUT (Pins 5, 8): Unfiltered Outputs. These pins have series resistors, $R_{OUT} 12.5\Omega$.

-OUTF, +OUTF (Pins 6, 7): Filtered Outputs. These pins have 50Ω series resistors and a 2.7pF shunt capacitor.

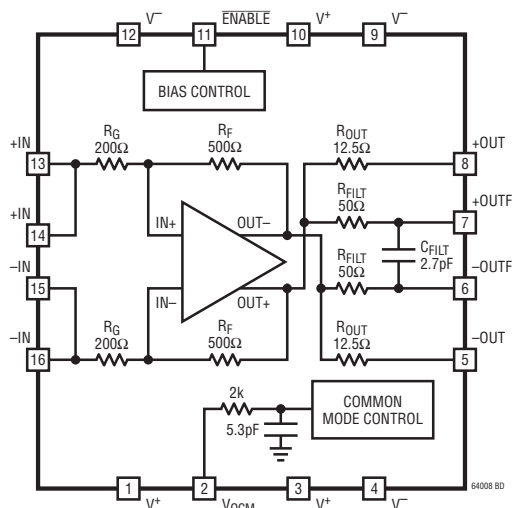
ENABLE (Pin 11): This pin is a logic input referenced to V_{EE} . If low, the part is enabled. If high, the part is disabled and draws very low standby current while the internal op amp has high output impedance.

+IN (Pins 13, 14): Positive Input. Pins 13 and 14 are internally shorted together.

-IN (Pins 15, 16): Negative Input. Pins 15 and 16 are internally shorted together.

Exposed Pad (Pin 17): V^- . The Exposed Pad must be connected to same voltage/ground as pins 4, 9, 12.

BLOCK DIAGRAM



APPLICATIONS INFORMATION

Circuit Operation

The LTC6400-8 is a low noise and low distortion fully differential op amp/ADC driver with:

- Operation from DC to 2.2GHz -3 dB bandwidth
- Fixed gain of 2.5V/V (8dB)
- Differential input impedance 400 Ω
- Differential output impedance 25 Ω
- Differential impedance of output filter 100 Ω

The LTC6400-8 is composed of a fully differential amplifier with on chip feedback and output common mode voltage control circuitry. Differential gain and input impedance are set by 200 Ω /500 Ω resistors in the feedback network. Small output resistors of 12.5 Ω improve the circuit stability over various load conditions. They also provide a possible external filtering option, which is often desirable when the load is an ADC.

Filter resistors of 50 Ω are available for additional filtering. Lowpass/bandpass filters are easily implemented with just a couple of external components. Moreover, they offer single-ended 50 Ω matching in wideband applications and no external resistor is needed.

The LTC6400-8 is very flexible in terms of I/O coupling. It can be AC- or DC-coupled at the inputs, the outputs or both. Due to the internal connection between input and output, users are advised to keep input common mode voltage between 1V and 1.8V for proper operation. If the inputs are AC-coupled, the input common mode voltage is automatically biased approximately 450mV above V_{OCM} and thus no external circuitry is needed for bias. The LTC6400-8 provides an output common mode voltage set by V_{OCM} , which allows driving ADC directly without external components such as transformer or AC coupling capacitors. The input signal can be either single-ended or differential with only minor difference in distortion performance.

Input Impedance and Matching

The differential input impedance of the LTC6400-8 is 400 Ω . Usually the differential inputs need to be terminated to a lower value impedance, e.g. 50 Ω , in order to provide an impedance match for the source. Several choices are available. One approach is to use a differential shunt resistor (Figure 1). Another approach is to employ a wideband transformer and shunt resistor (Figure 2). Both methods provide a wideband match. The termination resistor or the transformer must be placed close to the input pins in

APPLICATIONS INFORMATION

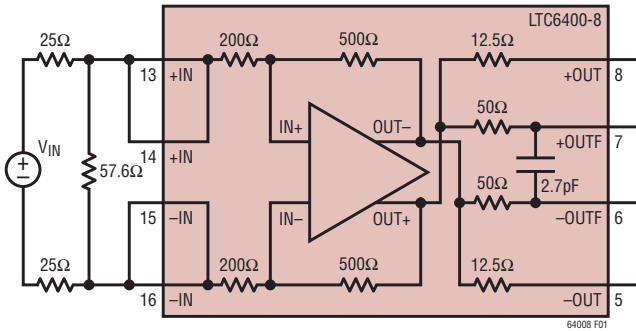


Figure 1. Input Termination for Differential 50Ω Input Impedance Using Shunt Resistor

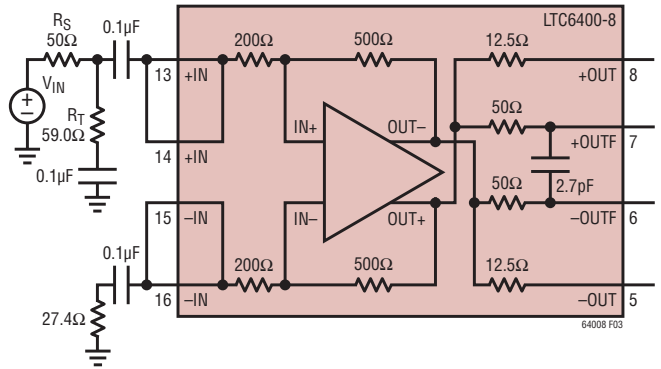


Figure 3. Input Termination for Single-Ended 50Ω Input Impedance

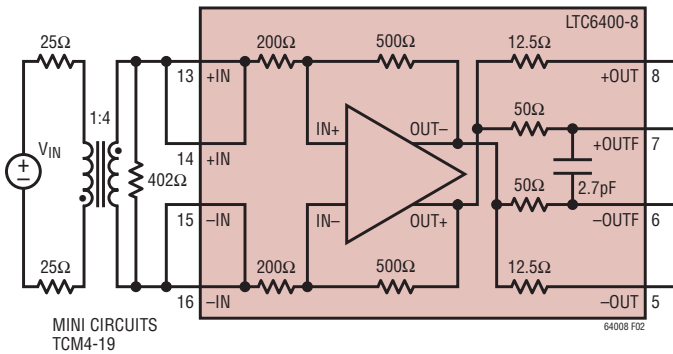


Figure 2. Input Termination for Differential 50Ω Input Impedance Using a Balun

order to minimize the reflection due to input mismatch. Alternatively, one could apply a narrowband impedance match at the inputs of the LTC6400-8 for frequency selection and/or noise reduction.

Referring to Figure 3, LTC6400-8 can be easily configured for single-ended input and differential output without a balun. The signal is fed to one of the inputs through a matching network while the other input is connected to the same matching network and a source resistor. Because the return ratios of the two feedback paths are equal, the two outputs have the same gain and thus symmetrical swing. In general, the single-ended input impedance and termination resistor R_T are determined by the combination of R_S , R_G and R_F . For example, when R_S is 50Ω, it is found that the single-ended input impedance is 322Ω and R_T is 59Ω in order to match to a 50Ω source impedance.

The LTC6400-8 is unconditionally stable, i.e. differential stability factor $K_f > 1$ and stability measure $B1 > 0$. However, the overall differential gain is affected by both source impedance and load impedance as shown in Figure 4:

$$A_V = \left| \frac{V_{OUT}}{V_{IN}} \right| = \frac{1000}{R_S + 400} \cdot \frac{R_L}{25 + R_L}$$

The noise performance of the LTC6400-8 also depends upon the source impedance and termination. For example, an input 1:4 transformer in Figure 2 improves SNR by adding 6dB gain at the inputs. A trade-off between gain and noise is obvious when constant noise figure circle and constant gain circle are plotted within the input Smith Chart, based on which users can choose the optimal source impedance for a given gain and noise requirement.

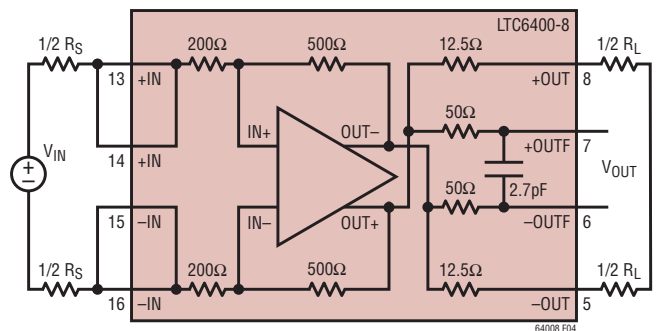


Figure 4. Calculate Differential Gain

APPLICATIONS INFORMATION

Output Impedance Match and Filter

The LTC6400-8 can drive an ADC directly without external output impedance matching. Alternatively, the differential output impedance of 25Ω can be made larger, e.g. 50Ω , by series resistors or LC network.

The internal low pass filter outputs at +OUTF/-OUTF have a -3dB bandwidth of 590MHz . External capacitors can reduce the lowpass filter bandwidth as shown in Figure 5. A bandpass filter is easily implemented with

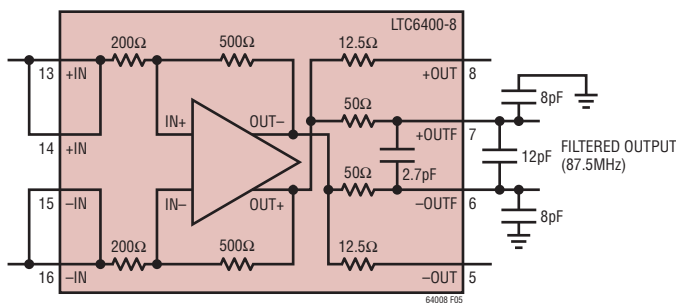


Figure 5. LTC6400-8 Internal Filter Topology Modified for Low Filter Bandwidth (Three External Capacitors)

only a few components as shown in Figure 6. Three 39pF capacitors and a 16nH inductor create a bandpass filter with 165MHz center frequency, -3dB frequencies at 138MHz and 200MHz .

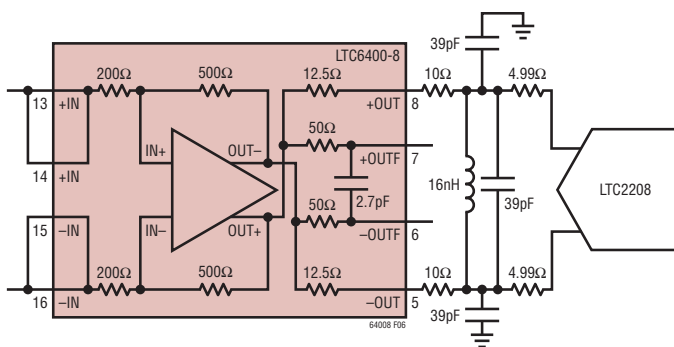


Figure 6. LTC6400-8 Modified 165MHz for Bandpass Filtering (Three External Capacitors, One External Inductor)

Output Common Mode Adjustment

The LTC6400-8's output common mode voltage is set by the V_{OCM} pin, which is a high impedance input. The output common mode voltage is capable of tracking V_{OCM} in a range from 1V to 1.6V . Bandwidth of V_{OCM} control is typically 14MHz , which is dominated by a low pass filter connected to the V_{OCM} pin and is aimed to reduce common mode noise generation at the outputs. The internal common mode feedback loop has a -3dB bandwidth around 400MHz , allowing fast rejection of any common mode output voltage disturbance. The V_{OCM} pin should be tied to a DC bias voltage with a $0.1\mu\text{F}$ bypass capacitor. When interfacing with 3V A/D converters such as the LT22xx families, the V_{OCM} pin can be connected to the V_{CM} pin of the ADC.

Driving A/D Converters

The LTC6400-8 has been specifically designed to interface directly with high speed A/D converters. Figure 7 shows the LTC6400-8 with single-ended input driving the LTC2208, which is a 16-bit, 130MSPS ADC. Two external 5Ω resistors help eliminate potential resonance associated with bond wires of either the ADC input or the driver output. V_{OCM} of the LTC6400-8 is connected to V_{CM} of the LTC2208 at 1.25V . Alternatively, an input single-ended signal can be converted to differential signal via a balun and fed to the input of the LTC6400-8.

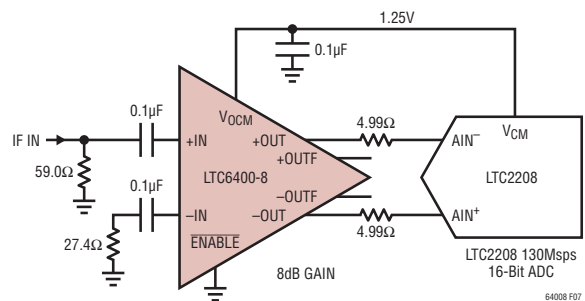


Figure 7. Single-Ended Input to LTC6400-8 and LTC2208

APPLICATIONS INFORMATION

Figure 8 summarizes the IMD3 performance of the whole system as shown in Figure 7.

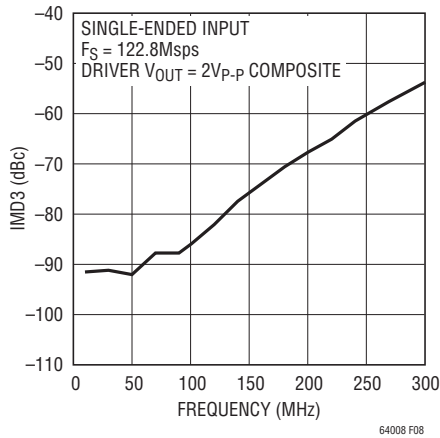


Figure 8. IMD3 for the Combination of LTC6400-8 and LTC2208

Test Circuits

Due to the fully-differential design of the LTC6400 and its usefulness in applications with differing characteristic specifications, two test circuits are used to generate the information in this datasheet. Test Circuit A is DC987B, a two-port demonstration circuit for the LTC6400 family. The silkscreen is shown in Figure 9. This circuit includes input and output transformers (baluns) for single-ended-to-differential conversion and impedance transformation, allowing direct hook-up to a 2-port network analyzer. There are also series resistors at the output to present the LTC6400 with a 375Ω differential load, optimizing distortion performance. Due to the input and output transformers, the -3dB bandwidth is reduced from 2.2GHz to approximately 1.46GHz.

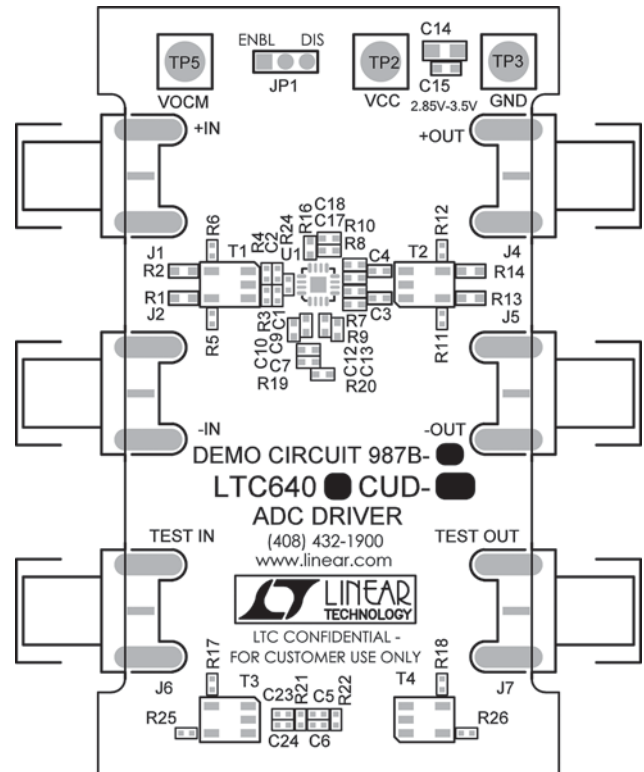
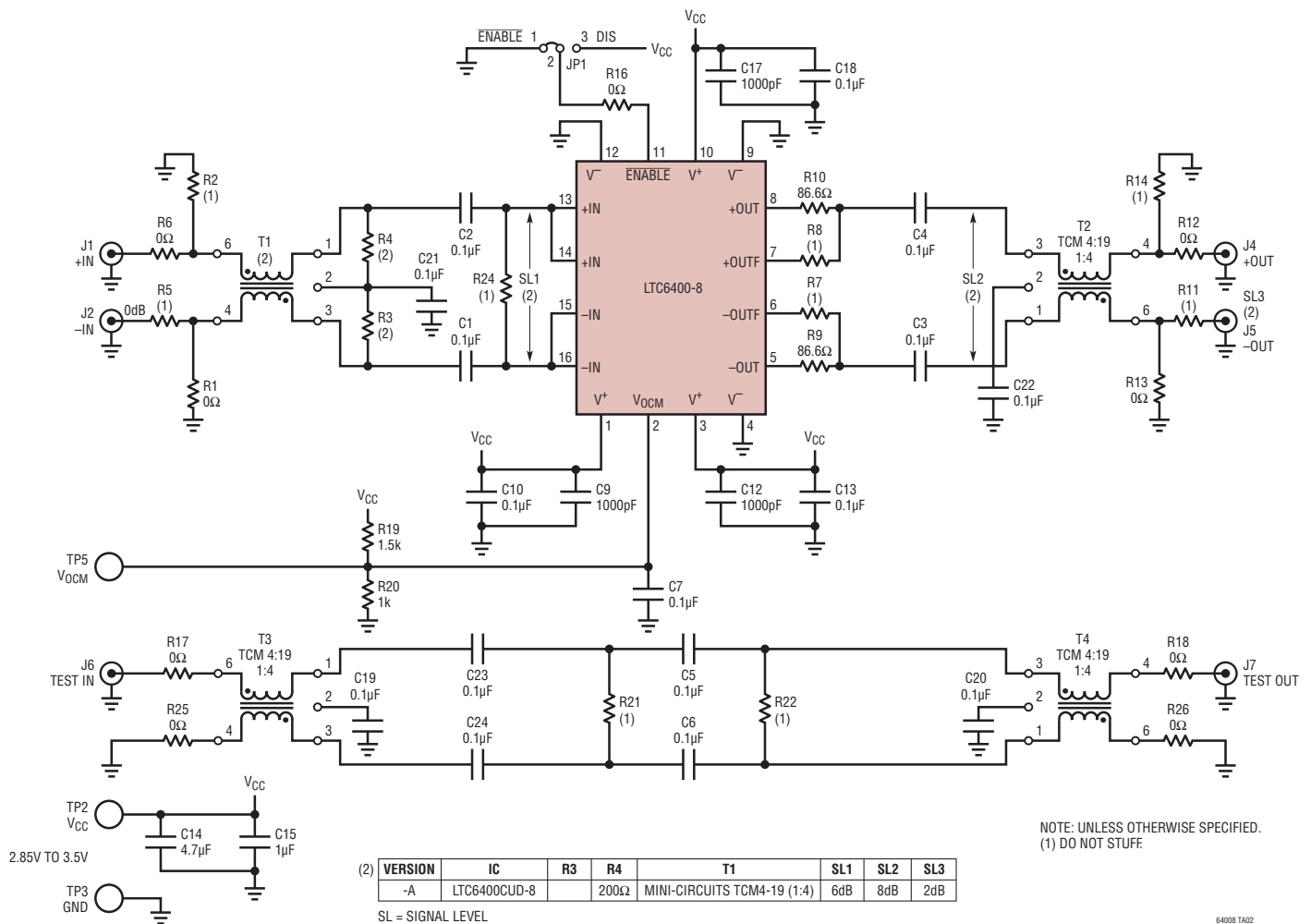


Figure 9. Top Silkscreen for DC987B. Test Circuit A

Test Circuit B uses a 4-port network analyzer to measure S-parameters and gain/phase response. This removes the effects of the wideband baluns and associated circuitry, for a true picture of the >1GHz S-parameters and AC characteristics.

TYPICAL APPLICATIONS

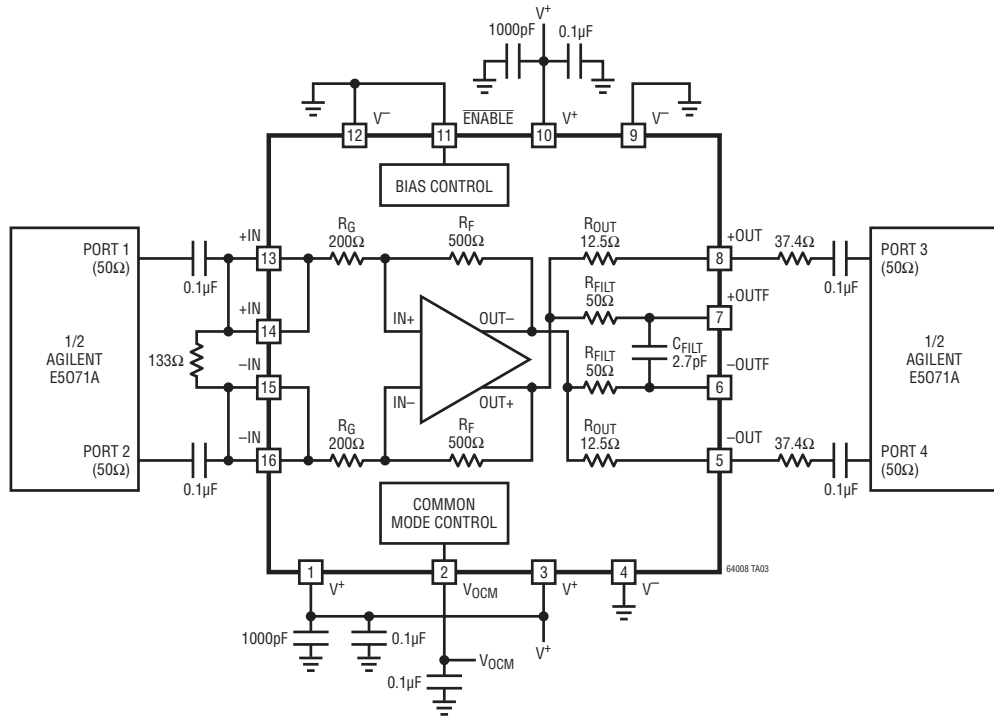
Demo Circuit 987B Schematic (Test Circuit A)



64008 TA02

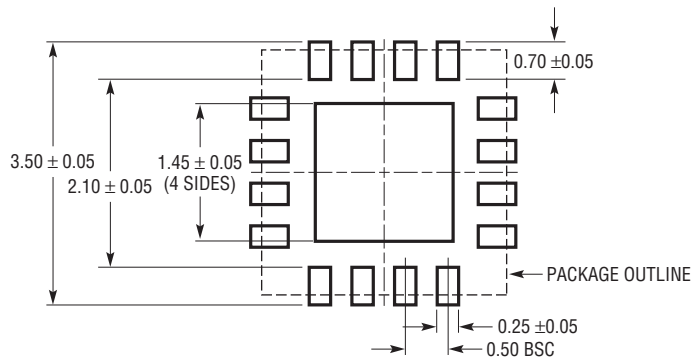
TYPICAL APPLICATIONS

Test Circuit B, 4-Port Analysis

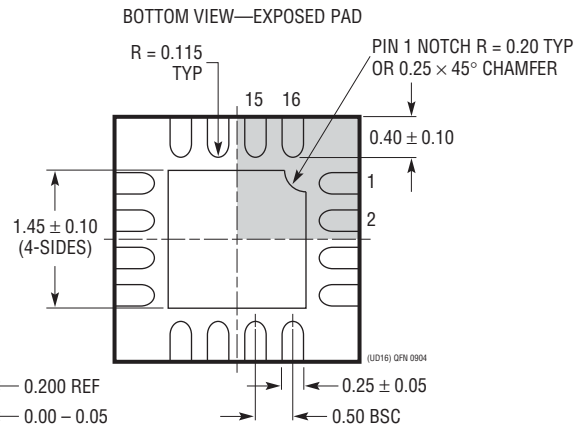
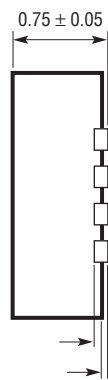
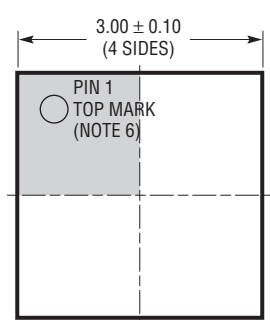


PACKAGE DESCRIPTION

UD Package
16-Lead Plastic QFN (3mm × 3mm)
 (Reference LTC DWG # 05-08-1691)



RECOMMENDED SOLDER PAD PITCH AND DIMENSIONS



- NOTE:
1. DRAWING CONFORMS TO JEDEC PACKAGE OUTLINE MO-220 VARIATION (WEED-2)
 2. DRAWING NOT TO SCALE
 3. ALL DIMENSIONS ARE IN MILLIMETERS
 4. DIMENSIONS OF EXPOSED PAD ON BOTTOM OF PACKAGE DO NOT INCLUDE MOLD FLASH. MOLD FLASH, IF PRESENT, SHALL NOT EXCEED 0.15mm ON ANY SIDE
 5. EXPOSED PAD SHALL BE SOLDER PLATED
 6. SHADED AREA IS ONLY A REFERENCE FOR PIN 1 LOCATION ON THE TOP AND BOTTOM OF PACKAGE

RELATED PARTS

| PART NUMBER | DESCRIPTION | COMMENTS |
|----------------------------------------------------------------|----------------------------------------------------------------------------|--------------------------------------------------------------------|
| High-Speed Differential Amplifiers/Differential Op Amps | | |
| LT [®] 1993-2 | 800MHz Differential Amplifier/ADC Driver | $A_V = 2V/V$, OIP3 = 38dBm at 70MHz |
| LT1993-4 | 900MHz Differential Amplifier/ADC Driver | $A_V = 4V/V$, OIP3 = 40dBm at 70MHz |
| LT1993-10 | 700MHz Differential Amplifier/ADC Driver | $A_V = 10V/V$, OIP3 = 40dBm at 70MHz |
| LT1994 | Low Noise, Low Distortion Differential Op Amp | 16-Bit SNR and SFDR at 1MHz, Rail-to-Rail Outputs |
| LT5514 | Ultralow Distortion IF Amplifier/ADC Driver with Digitally Controlled Gain | OIP3 = 47dBm at 100MHz, Gain Control Range 10.5dB to 33dB |
| LT5524 | Low Distortion IF Amplifier/ADC Driver with Digitally Controlled Gain | OIP3 = 40dBm at 100MHz, Gain Control Range 4.5dB to 37dB |
| LTC6400-14 | 1.9GHz Low Noise, Low Distortion, Differential ADC Driver | $A_V = 14dB$, 85mA Supply Current, IMD3 = -66dBc at 300MHz |
| LTC6400-20 | 1.8GHz Low Noise, Low Distortion, Differential ADC Driver | $A_V = 20dB$, 90mA Supply Current, IMD3 = -65dBc at 300MHz |
| LTC6400-26 | 1.9GHz Low Noise, Low Distortion, Differential ADC Driver | $A_V = 26dB$, 85mA Supply Current, IMD3 = -71dBc at 300MHz |
| LTC6401-8 | 2.2GHz Low Noise, Low Distortion, Differential ADC Driver | $A_V = 8dB$, 45mA Supply Current, IMD3 = -80dBc at 140MHz |
| LTC6401-14 | 2GHz Low Noise, Low Distortion, Differential ADC Driver | $A_V = 14dB$, 45mA Supply Current, IMD3 = -81dBc at 140MHz |
| LTC6401-20 | 1.3GHz Low Noise, Low Distortion, Differential ADC Driver | $A_V = 20dB$, 50mA Supply Current, IMD3 = -74dBc at 140MHz |
| LTC6401-26 | 1.6GHz Low Noise, Low Distortion, Differential ADC Driver | $A_V = 26dB$, 45mA Supply Current, IMD3 = -72dBc at 140MHz |
| LT6402-6 | 300MHz Differential Amplifier/ADC Driver | $A_V = 6dB$, Distortion < -80dBc at 25MHz |
| LT6402-12 | 300MHz Differential Amplifier/ADC Driver | $A_V = 12dB$, Distortion < -80dBc at 25MHz |
| LT6402-20 | 300MHz Differential Amplifier/ADC Driver | $A_V = 20dB$, Distortion < -80dBc at 25MHz |
| LTC6404-1 | 600MHz Low Noise Differential ADC Driver | $e_n = 1.5nV/\sqrt{Hz}$, Rail-to-Rail Outputs |
| LTC6406 | 3GHz Rail-to-Rail Input Differential Op Amp | 1.6nV/ \sqrt{Hz} Noise, -72dBc Distortion at 50MHz, 18mA |
| LT6411 | Low Power Differential ADC Driver/Dual Selectable Gain Amplifier | 16mA Supply Current, IMD3 = -83dBc at 70MHz, $A_V = 1, -1$ or 2 |
| High-Speed Single-Ended Output Op Amps | | |
| LT1812/LT1813/ LT1814 | High Slew Rate Low Cost Single/Dual/Quad Op Amps | 8nV/ \sqrt{Hz} Noise, 750V/ μs , 3mA Supply Current |
| LT1815/LT1816/ LT1817 | Very High Slew Rate Low Cost Single/Dual/Quad Op Amps | 6nV/ \sqrt{Hz} Noise, 1500V/ μs , 6.5mA Supply Current |
| LT1818/LT1819 | Ultra High Slew Rate Low Cost Single/Dual Op Amps | 6nV/ \sqrt{Hz} Noise, 2500V/ μs , 9mA Supply Current |
| LT6200/LT6201 | Rail-to-Rail Input and Output Low Noise Single/Dual Op Amps | 0.95nV/ \sqrt{Hz} Noise, 165MHz GBW, Distortion = -80dBc at 1MHz |
| LT6202/LT6203/ LT6204 | Rail-to-Rail Input and Output Low Noise Single/Dual/Quad Op Amps | 1.9nV/ \sqrt{Hz} Noise, 3mA Supply Current, 100MHz GBW |
| LT6230/LT6231/ LT6232 | Rail-to-Rail Output Low Noise Single/Dual/Quad Op Amps | 1.1nV/ \sqrt{Hz} Noise, 3.5mA Supply Current, 215MHz GBW |
| LT6233/LT6234/ LT6235 | Rail-to-Rail Output Low Noise Single/Dual/Quad Op Amps | 1.9nV/ \sqrt{Hz} Noise, 1.2mA Supply Current, 60MHz GBW |
| Integrated Filters | | |
| LTC1562-2 | Very Low Noise, 8th Order Filter Building Block | Lowpass and Bandpass Filters up to 300kHz |
| LT1568 | Very Low Noise, 4th Order Filter Building Block | Lowpass and Bandpass Filters up to 10MHz |
| LTC1569-7 | Linear Phase, Tunable 10th Order Lowpass Filter | Single-Resistor Programmable Cut-Off to 300kHz |
| LT6600-2.5 | Very Low Noise Differential 2.5MHz Lowpass Filter | SNR = 86dB at 3V Supply, 4th Order Filter |
| LT6600-5 | Very Low Noise Differential 5MHz Lowpass Filter | SNR = 82dB at 3V Supply, 4th Order Filter |
| LT6600-10 | Very Low Noise Differential 10MHz Lowpass Filter | SNR = 82dB at 3V Supply, 4th Order Filter |
| LT6600-15 | Very Low Noise Differential 15MHz Lowpass Filter | SNR = 76dB at 3V Supply, 4th Order Filter |
| LT6600-20 | Very Low Noise Differential 20MHz Lowpass Filter | SNR = 76dB at 3V Supply, 4th Order Filter |