

PI3EQX1204-C

12.5Gbps 4-channel, SAS3 ReDriver with Linear Equalization

Features

- 1-12.5Gbps serial link with linear equalizer
- Support SATA Gen1/Gen2/Gen3, SAS2/3, and XAUI protocol
- Supporting 4 differential channels
- Handle up to 34dB channel loss (42" FR4 trace or 10 meters or SAS3 cable)
- Independent channel configuration of receiver equalization, output swing and flat gain
- Rate and Coding Agnostic
- Transparent to link training, OOB, Idle
- 260mW per channel power dissipation with 700 mVpp output swing
- Pin strap and I²C selectable device programming
- 4-bit selectable address bit for I²C
- Supply Voltage: 3.3V±0.3V
- Industrial Temperature Range: -40°C to 85°C
- Packaging (Pb-free & Green):
 - 42-contact TQFN (9mm x3.5mm)

Description

The PI3EQX1204-C is a SAS3, 4 differential channels ReDriver. The device provides programmable linear equalization, output swing and flat gain, by either pin strapping option or I²C Control, to optimize performance over a variety of physical mediums by reducing Inter-symbol interference.

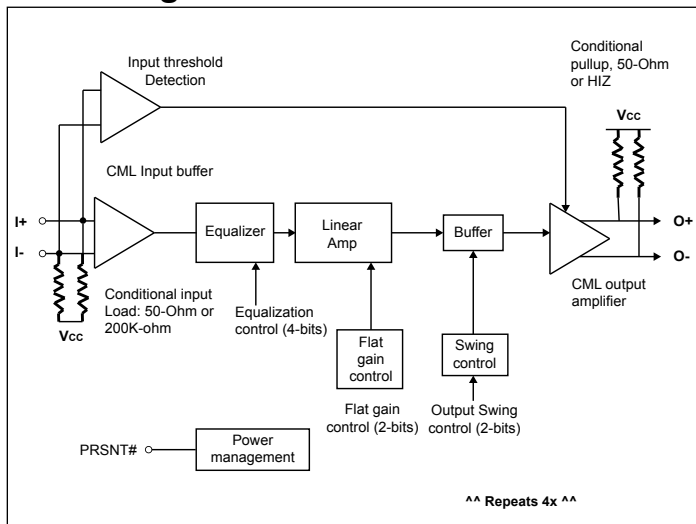
PI3EQX1204-C supports four 100-Ohm Differential CML data I/O's and extends the signals across other distant data pathways on the user's platform.

The integrated equalization circuitry provides flexibility with signal integrity of the signal before the ReDriver, whereas the integrated linear amplifier/buffer circuitry provides flexibility with signal integrity of the signal after the ReDriver.

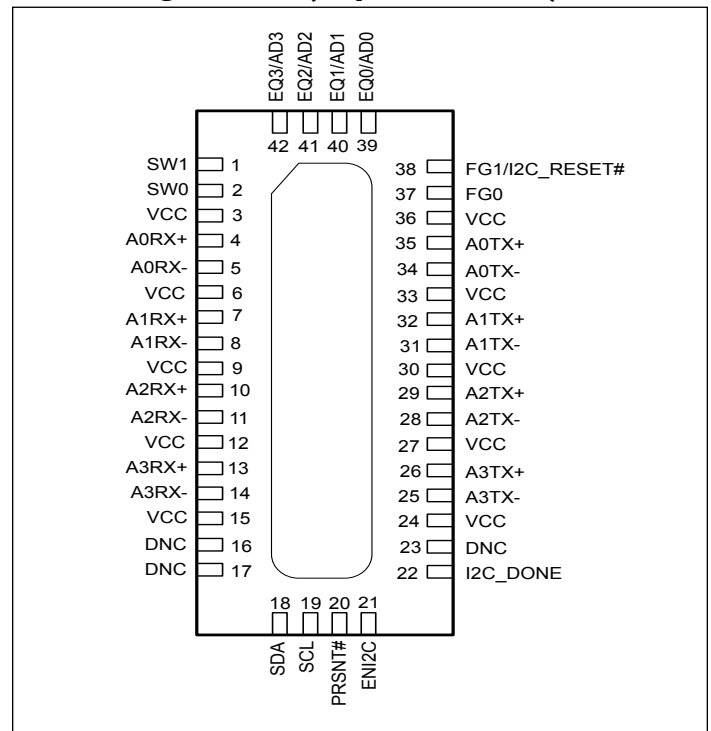
Application

Rack Server, JBOD storage

Block Diagram



Pin Configuration (Top-Side View)



Pin Description

Pin #	Pin Name	Type	Description
Data Signals			
4	A0RX+	I	CML inputs for Channel A0, with internal 50-Ohm pull-up and ~200K-Ohm pull-up otherwise.
5	A0RX-	I	
35	A0TX+	O	CML outputs for Channel A0, with internal 50-Ohm pull-up and high impedance otherwise.
34	A0TX-	O	
7	A1RX+	I	CML inputs for Channel A1, with internal 50-Ohm pull-up and ~200K-Ohm otherwise.
8	A1RX-	I	
32	A1TX+	O	CML outputs for Channel A1, with internal 50-Ohm pull-up and high impedance otherwise.
31	A1TX-	O	
10	A2RX+	I	CML inputs for Channel A2, with internal 50-Ohm pull-up and ~200K-Ohm otherwise.
11	A2RX-	I	
29	A2TX+	O	CML outputs for Channel A2, with internal 50-Ohm pull-up and high impedance otherwise.
28	A2TX-	O	
13	A3RX+	I	CML inputs for Channel A3, with internal 50-Ohm pull-up and ~200K-Ohm otherwise.
14	A3RX-	I	
26	A3TX+	O	CML outputs for Channel A3, with internal 50-Ohm pull-up and high impedance otherwise.
25	A3TX-	O	
Control Signals			
19	SCL	I/O	I ² C SCL Clock. In Master mode (ENI2C floating), SCL is an output. Otherwise it is an input.
18	SDA	I/O	I ² C SDA data input/output.
42, 41, 40, 39	AD[3:0]	I	I ² C programmable address bits, with internal 100k-Ohm pull-up.
20	PRSNT#	I	This pin is active in both PIN mode(ENI2C=LOW) and I ² C mode (ENI2C=HIGH). Cable present detect input. This pin has internal 100K-ohm pull-up. When High, a cable is not present, and the device is put in lower power mode. When LOW, the device is enabled and in normal operation.
21	ENI2C	I	When LOW, each channel is programmed by the external pin voltage. When HIGH, each channel is programmed by the data stored in the I ² C bus. When floating, master mode (Read External EEPROM)
42, 41, 40, 39	EQ[3:0]	I	Inputs with internal 100k-Ohm pull-up. This pins set the amount of Equalizer Boost in all channel when ENI2C is LOW.
1, 2	SW[1:0]	I	Inputs with internal 100k-Ohm pull-up. This pin sets the output Voltage Level in all channel when ENI2C is LOW.
38, 37	FG[1:0]	I	Inputs with internal 100KΩ pull up resistor. Sets the output flat gain level on all channels when ENI2C is low.
38	I ² C_RESET#	I	Inputs with internal 100KΩ pull up resistor. Reset pin for I ² C. When set low will reset the registers to default state.

PI3EQX1204-C

Pin #	Pin Name	Type	Description
22	I ² C_DONE	O	Valid register load status output, use for daisy chain master LOW = External EEPROM load failed HIGH = External EEPROM load passed
16, 17, 23	DNC		Do Not Connect
Power Pins			
3, 6, 9, 12, 15, 24, 27, 30, 33, 36	V _{CC}	PWR	3.3V Supply Voltage
EP	GND	PWR	Exposed pad. Supply Ground

Description of Operation

Power Enable function:

One pin control or I²C control, when PRSNT# is set to HIGH, the IC goes into power down mode, both input and output termination set to 200K and High impedance respectively. Individual Channel Enabling is done through the I²C register programming.

Equalization Setting:

EQ[3:0] are the selection pins for the equalization selection for each channel.

Table 1. Equalization Setting

Equalizer setting							
EQ3	EQ2	EQ1	EQ0	@ 3GHz	@ 4GHz	@ 5GHz	@ 6GHz
0	0	0	0	3.6	4.5	5.5	6.8
0	0	0	1	4	5.1	6.2	7.6
0	0	1	0	4.4	5.6	6.9	8.4
0	0	1	1	4.7	6.1	7.5	9.1
0	1	0	0	5.1	6.6	8.1	9.8
0	1	0	1	5.5	7.1	8.7	10.4
0	1	1	0	5.9	7.6	9.2	11
0	1	1	1	6.2	8	9.7	11.5
1	0	0	0	6.6	8.5	10.2	12
1	0	0	1	6.9	8.9	10.7	12.5
1	0	1	0	7.3	9.3	11.1	12.9
1	0	1	1	7.6	9.7	11.5	13.3
1	1	0	0	8	10.1	11.9	13.7
1	1	0	1	8.2	10.5	12.3	14.1
1	1	1	0	8.6	10.8	12.7	14.4
1	1	1	1	8.9	11.1	13	14.7

Flat Gain Setting:

FG[1:0] are the selection bits for the DC value.

Table 2. Flat Gain Setting

Flat Gain Setting		
FG1	FG0	dB
0	0	-3.5
0	1	-1.5
1	0	0.5
1	1	2.5

Swing Setting:

Swing Setting: SW[1:0] are the selection bits for the output swing value.

Table 3. Swing Setting

SW1	SW0	mVp-p
0	0	700
0	1	800
1	0	900
1	1	1000

I²C Programming

Address assignment							
A6	A5	A4	A3	A2	A1	A0	R/W
1	1	1	AD3	AD2	AD1	AD0	1=R, 0=W

BYTE 0 Reserved

BYTE 1 Reserved

BYTE 2

Bit	Type	Power up condition		Control affected	Comment
7	R/W	0		A3 Power down	1 = Power down
6	R/W	0		A2 Power down	
5	R/W	0		A1 Power down	
4	R/W	0		A0 Power down	
3	R/W	0			
2	R/W	0			
1	R/W	0			
0	R/W	0			

BYTE 3

Bit	Type	Power up condition		Control affected	Comment
7	R/W	0	Channel A0 configuration	EQ3	Equalizer
6	R/W	0		EQ2	
5	R/W	0		EQ1	
4	R/W	0		EQ0	
3	R/W	0		FG1	Flat gain
2	R/W	0		FG0	
1	R/W	0		SW1	Swing
0	R/W	0		SW0	

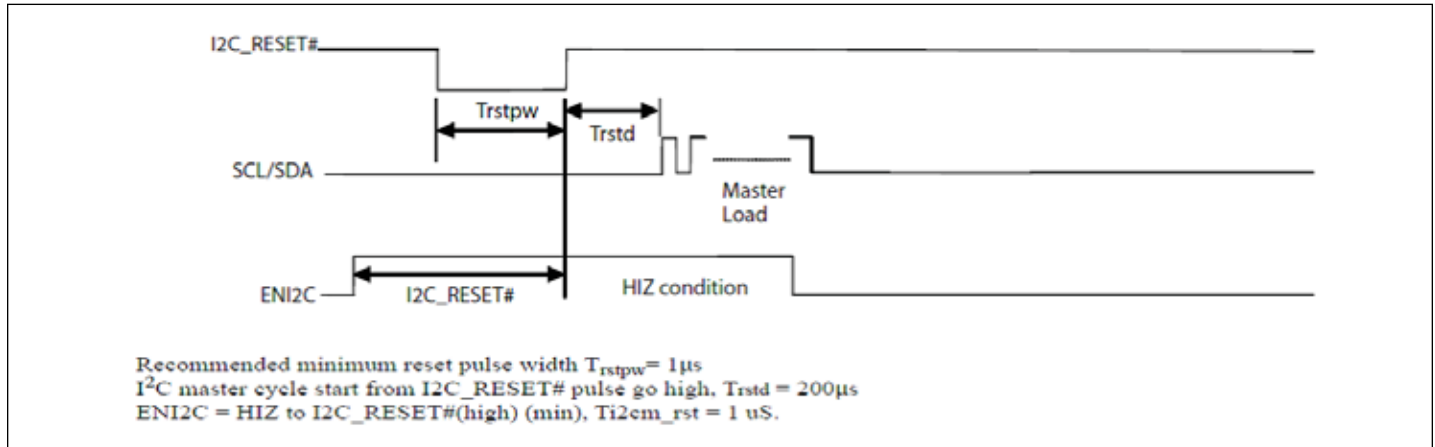
BYTE 4

Bit	Type	Power up condition		Control affected	Comment
7	R/W	0	Channel A1 configuration	EQ3	Equalizer
6	R/W	0		EQ2	
5	R/W	0		EQ1	
4	R/W	0		EQ0	
3	R/W	0		FG1	Flat gain
2	R/W	0		FG0	
1	R/W	0		SW1	Swing
0	R/W	0		SW0	

I²C Programming cont.

BYTE 5					
Bit	Type	Power up condition		Control affected	Comment
7	R/W	0	Channel A2 configuration	EQ3	Equalizer
6	R/W	0		EQ2	
5	R/W	0		EQ1	
4	R/W	0		EQ0	
3	R/W	0		FG1	Flat gain
2	R/W	0		FG0	
1	R/W	0		SW1	Swing
0	R/W	0		SW0	
BYTE 6					
Bit	Type	Power up condition		Control affected	Comment
7	R/W	0	Channel A3 configuration	EQ3	Equalizer
6	R/W	0		EQ2	
5	R/W	0		EQ1	
4	R/W	0		EQ0	
3	R/W	0		FG1	Flat gain
2	R/W	0		FG0	
1	R/W	0		SW1	Swing
0	R/W	0		SW0	
BYTE 7-15 with '0' power up condition Reserved					

Reset and I²C Timing Diagram



I²C Operation

The integrated I²C interface operates as a master or slave device depending on the pin ENI2C being HIZ or HIGH respectively. Standard mode (100Kbps) is supported with 7-bit addressing. The data byte format is 8-bit bytes, and supports the format of indexing to be compatible with other bus devices. In the Slave mode (ENI2C = HIGH), the device supports Read/Write. The bytes must be accessed in sequential order from the lowest to the highest byte with the ability to stop after any complete byte has been transferred. Address bits A3 to A0 are programmable to support multiple chips environment. The Data is loaded until a Stop sequence is issued.

In the master mode (ENI2C = HIZ), PI3EQX1204-C supports up to 16 masters connected in daisy chain through connecting I²C_DONE pin to I²C_RESET# pin of the next part.

Master EEPROM data starting address for device address:

I ² C address: AD3, AD2, AD1, AD0	Data starting location
0000	00H
0001	10H
0010	20H
0011	30H
0100	40H
0101	50H
0110	60H
0111	70H
1000	80H
1001	90H
1010	A0H
1011	B0H
1100	C0H
1101	D0H
1110	E0H
1111	F0H

Transferring Data

Every byte put on the SDA line must be 8-bits long. Each byte has to be followed by an acknowledge bit. Data is transferred with the most significant bit (MSB) first (see the I²C Data Transfer diagram). The PI3EQX1204-C will never hold the clock line SCL LOW to force the master into a wait state.

Acknowledge

Data transfer with acknowledge is required from the master. When the master releases the SDA line (HIGH) during the acknowledge clock pulse, the PI3EQX1204-C will pull down the SDA line during the acknowledge clock pulse so that it remains stable LOW during the HIGH period of this clock pulse as indicated in the I²C Data Transfer diagram. The PI3EQX1204-C will generate an acknowledge after each byte has been received.

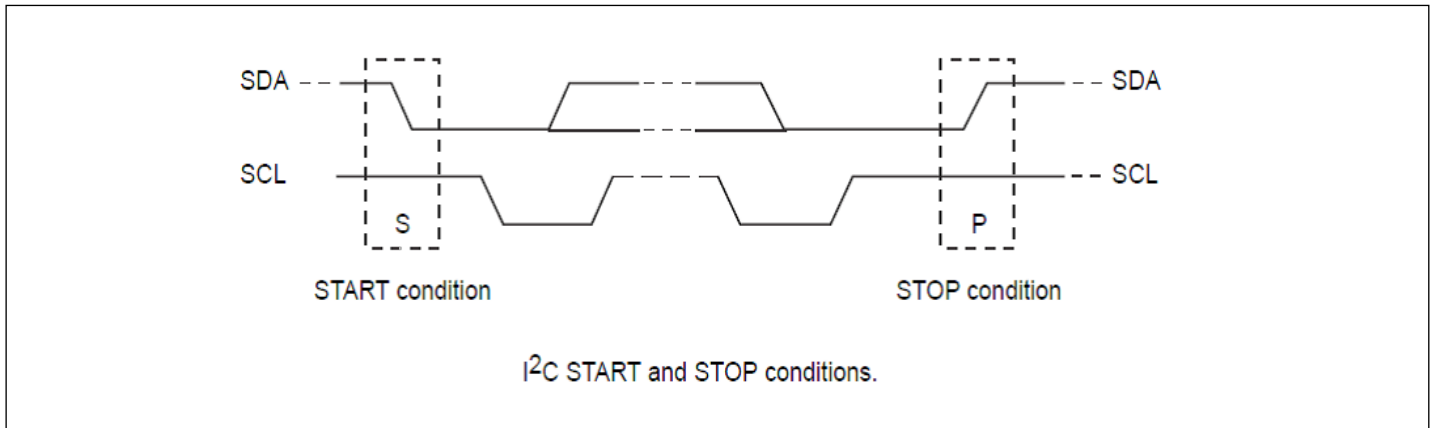
Data Transfer

A data transfer cycle begins with the master issuing a start bit. After recognizing a start bit, the PI3EQX1204-C will watch the next byte of information for a match with its address setting. When a match is found it will respond with a read or write of data on the following clocks. Each byte must be followed by an acknowledge bit, except for the last byte of a read cycle which ends with a stop bit. For a write cycle, the first data byte following the address byte is an index byte that is used by the PI3EQX1204-C. Data is transferred with the most significant bit (MSB) first.

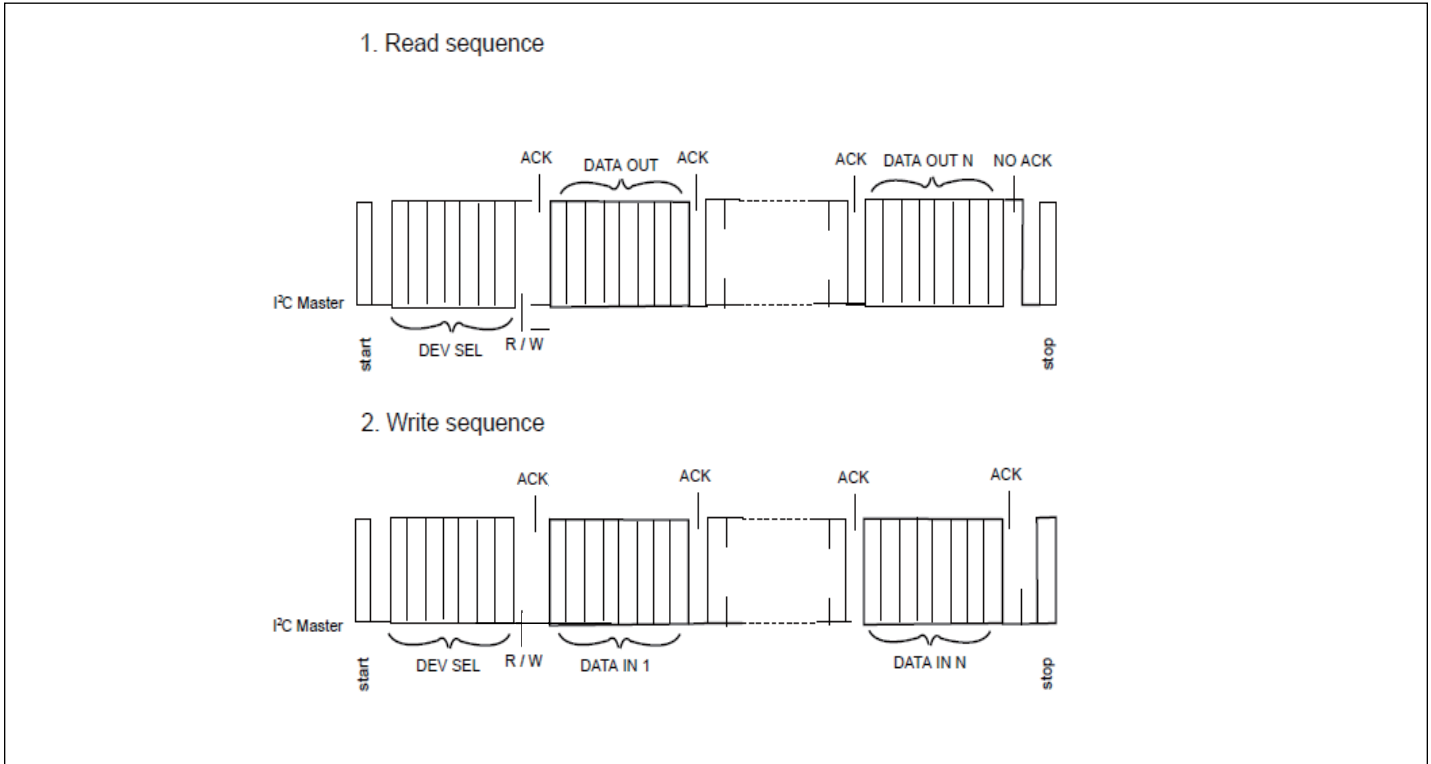
I²C Data Transfer

Start & Stop Conditions

A HIGH to LOW transition on the SDA line while SCL is HIGH indicates a START condition. A LOW to HIGH transition on the SDA line while SCL is HIGH defines a STOP condition, as shown in the figure below



I²C Data Transfer



Maximum Ratings

(Above which useful life may be impaired. For user guidelines, not tested.)

Storage Temperature	-65°C to +150°C
Supply Voltage to Ground Potential	-0.5V to +4.6V
DC SIG Voltage	-0.5V to $V_{CC}+0.5V$
Output Current	-25mA to +25mA
Power Dissipation Continuous	2.1W
Junction Temperature Tj	125°C
ESD, HBM	-2kV to +2kV

Note:

Stresses greater than those listed under MAXIMUM RATINGS may cause permanent damage to the device. This is a stress rating only and functional operation of the device at these or any other conditions above those indicated in the operational sections of this specification is not implied. Exposure to absolute maximum rating conditions for extended periods may affect reliability.

Electrical characteristics:

LVC MOS I/O DC Specifications ($V_{CC} = 3.3 \pm 0.3V$, $T_A = -40$ to $85^\circ C$)

Symbol	Parameter	Conditions	Min.	Typ.	Max	Units
V_{IH}	DC input logic high		$V_{CC}/2 + 0.7$		$V_{CC} + 0.3$	V
V_{IL}	DC input logic low		-0.3		$V_{CC}/2 - 0.7$	V
V_{OH}	At $I_{OH} = -200\mu A$		$V_{CC} + 0.2$			V
V_{OL}	At $I_{OL} = -200\mu A$				0.2	V
V_{hys}	Hysteresis of Schmitt trigger input		0.8			V

SDA and SCL I/O for I2C-bus ($V_{CC} = 3.3 \pm 0.3V$, $T_A = -40$ to $85^\circ C$)

Symbol	Parameter	Conditions	Min.	Typ.	Max.	Units
V_{IH}	DC input logic high		$V_{CC}/2 + 0.7$		$V_{CC} + 0.3$	V
V_{IL}	DC input logic low		-0.3		$V_{CC}/2 - 0.7$	V
V_{OL}	DC output logic low	$I_{OL} = 3mA$			0.4	V
V_{hys}	Hysteresis of Schmitt trigger input		0.8			V
t_{of}	Output fall time from V_{IHmin} to V_{ILmax} with bus cap. 10-400pF				250	ns
f_{SCLK}	SCLK clock frequency				100	kHz

High speed I/O AC/DC Specifications ($V_{CC} = 3.3 \pm 0.3V$, $T_A = -40$ to $85^\circ C$)

Symbol	Parameter	Conditions	Min.	Typ.	Max.	Units
C_{RX}	RX AC coupling capacitance			220		nF
S_{11}	Input return loss	10MHz to 6GHz differential		11.0		dB
		1GHz to 6GHz common mode		5.0		
S_{22}	Output return loss	10MHz to 6GHz differential		11.5		dB
		1GHz to 6GHz common mode		4.8		
R_{IN}	DC single-ended input impedance			50		Ω
	DC Differential Input Impedance			100		

High speed I/O AC/DC Specifications cont.

Symbol	Parameter	Conditions	Min.	Typ.	Max.	Units
R _{OUT}	DC single-ended output impedance			50		Ω
	DC Differential output Impedance			100		
Z _{RX-HIZ}	DC input CM input impedance during reset or power down			200		kΩ
V _{RX-DIFF-PP}	Differential Input Peak-to-peak Voltage	Operational			1.2	V _{ppd}
	Input source common-mode noise	DC – 200MHz			150	mV _{pp}
T _{TX-IDLE-SET-TO-IDLE}	Max time to electrical idle after sending an EIOS			4	8	ns
T _{TX-IDLE-TO-DIFF-DATA}	Max time to valid diff signal after leaving electrical idle			4	8	ns
V _{CC}	Power supply voltage		3	3.3	3.6	V
P _{max}	Max Supply power	PRSNT#=0			1.3	W
I _{max}	Max Supply current				360	mA
P _{idle}	Supply power	PRSNT#=1			14.4	mW
t _{pd}	Latency	From input to output		0.5		ns
G _p	Peaking gain (Compensation at 6GHz, relative to 100MHz, 100mVp-p sine wave input)	EQ<3:0> = 1111		15.4		dB
		EQ<3:0> = 1000		12.5		
		EQ<3:0> = 0000		7.1		
		Variation around typical	-3		+3	dB
G _F	Flat gain (100MHz, EQ<3:0> = 1000, SW<1:0> = 10)	FG<1:0> = 11		2		dB
		FG<1:0> = 10		0		
		FG<1:0> = 01		-2		
		FG<1:0> = 00		-4		
		Variation around typical	-3		+3	dB
V _{1dB_100M}	-1dB compression point of output swing (at 100MHz)	SW<1:0> = 11		1370		mV _{ppd}
		SW<1:0> = 10		1280		
		SW<1:0> = 01		1040		
		SW<1:0> = 00		920		
V _{1dB_6G}	-1dB compression point of output swing (at 6GHz)	SW<1:0> = 11		1000		mV _{ppd}
		SW<1:0> = 10		940		
		SW<1:0> = 01		700		
		SW<1:0> = 00		600		
V _{Coup}	Channel isolation	100MHz to 6GHz, Figure 1 (Note 1)		25		dB

High speed I/O AC/DC Specifications cont.

Symbol	Parameter	Conditions	Min.	Typ.	Max.	Units
Vnoise_input	Input-referred noise	100MHz to 6GHz, FG<1:0> = 11, EQ<3:0> = 0000, Figure 2		0.5		mV _{RMS}
		100MHz to 6GHz, FG<1:0> = 11, EQ<3:0> = 1010, Figure 2		0.4		
Vnoise_output	Output-referred noise (Note 2)	100MHz to 6GHz, FG<1:0> = 11, EQ<3:0> = 0000, Figure 2		0.7		mV _{RMS}
		100MHz to 6GHz, FG<1:0> = 11, EQ<3:0> = 1010, Figure 2		0.8	1.6	

Note: (1) Measured using a vector-network analyzer (VNA) with -15dBm power level applied to the adjacent input. The VNA detects the signal at the output of the victim channel. All other inputs and outputs are terminated with 50Ω.

(2) Guaranteed by design and characterization.

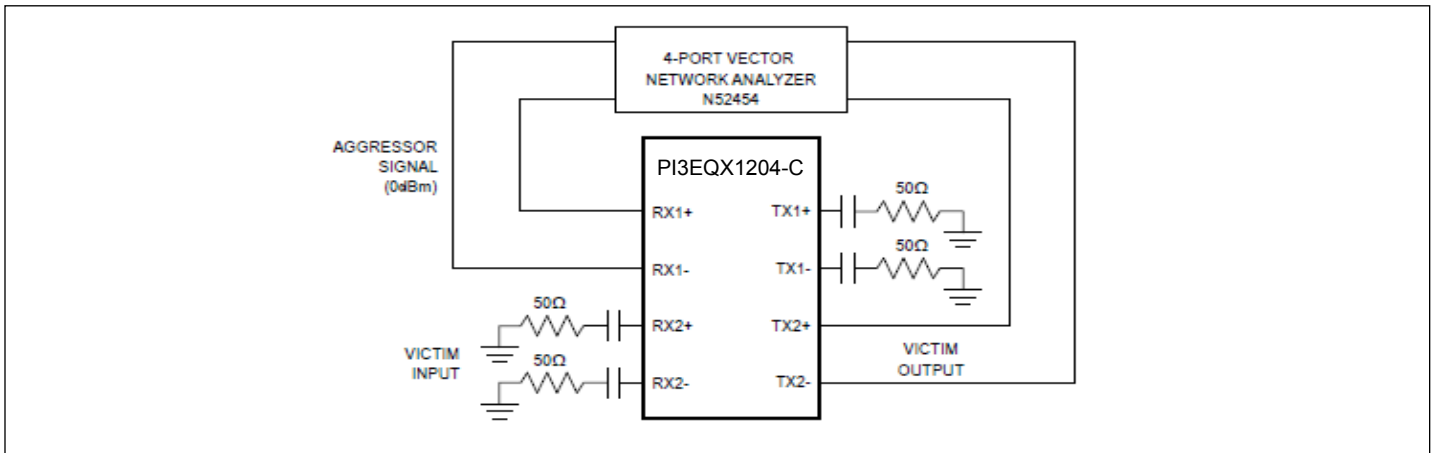


Figure 1. Channel-isolation test configuration

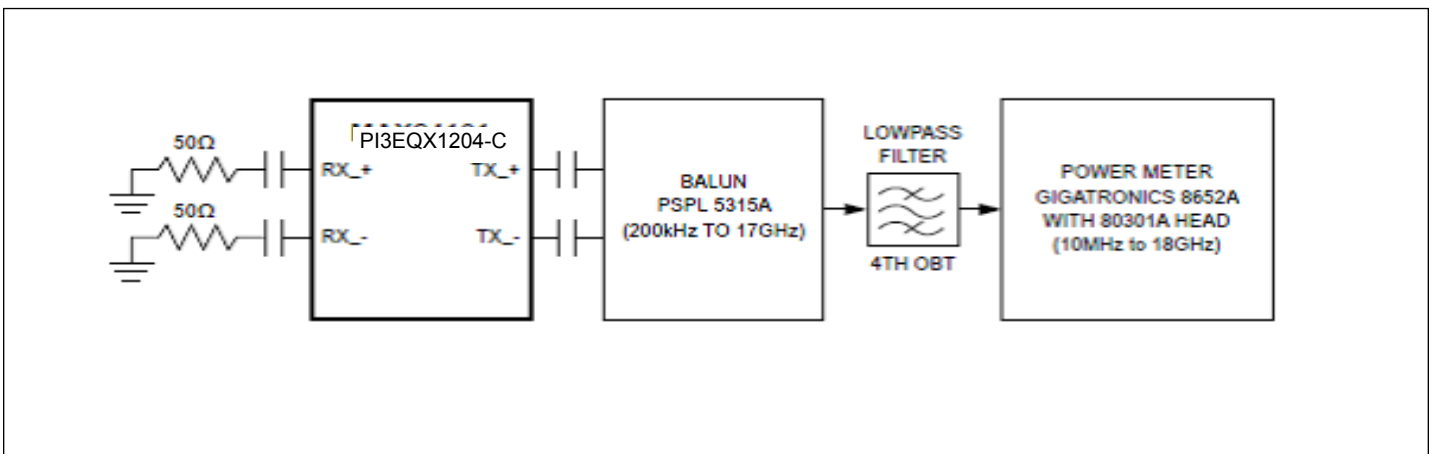
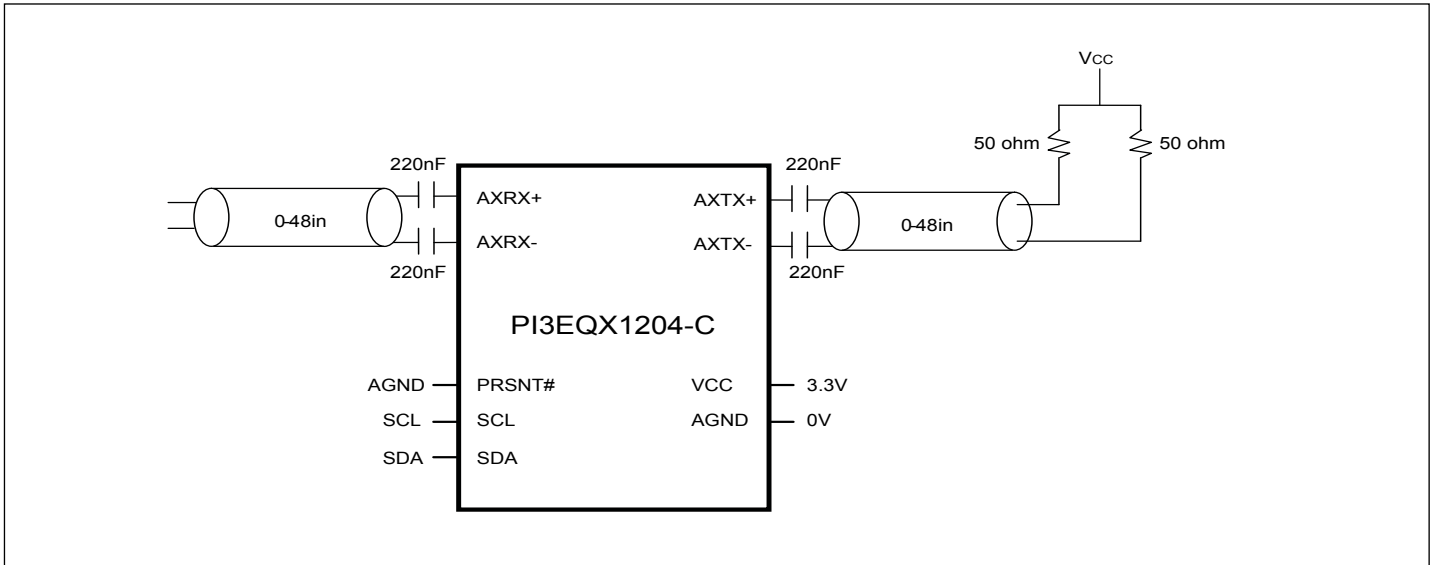


Figure 2. Noise test configuration

ESD Specification

- 2000V HBM
- 500V CDM

Application Diagram



AC/DC Specifications - SCL/SDA for I²C BUS

Symbol	Parameter	Conditions	Min.	Typ.	Max	Units
V _{IH}	DC input logic high		$V_{CC}/2 + 0.7$		$V_{CC} + 0.3$	V
V _{IL}	DC input logic low		-0.3		$V_{CC}/2 - 0.7$	V
V _{OL}	DC output logic low	I _{OL} = 3mA			0.4	V
I _{pullup}	Current Through Pull-Up Resistor or Current Source	High Power specification	3.0		3.6	mA
V _{DD}	Nominal Bus Voltage		3.0		3.6	V
I _{leak-bus}	Input leakage per bus segment		-200		200	uA
I _{leak-pin}	Input leakage per device pin			-15		uA
CI	Capacitance for SDA/SCL				10	pF
Freq	Bus Operation Frequency				100k	Hz
T _{BUF}	"Bus Free Time Between Stop and Start condition"		1.3			us
T _{HD:STA}	Hold time after (Repeated) Start condition. After this period, the first clock is generated.	At I _{pull-up} , Max	0.6			us
T _{SU:STA}	Repeated start condition setup time		0.6			us
T _{SU:STO}	Stop condition setup time		0.6			us
T _{HD:DAT}	Data hold time		0			ns
T _{SU:DAT}	Data setup time		100			ns
T _{low}	Clock low period		1.3			us
T _{high}	Clock high period		0.6		50	us
t _F	Clock/Data fall time				300	ns
t _R	Clock/Data rise time				300	ns
t _{por}	"Time in which a device must be operation after power-on reset"				500	ms

Note: (1) Recommended value.

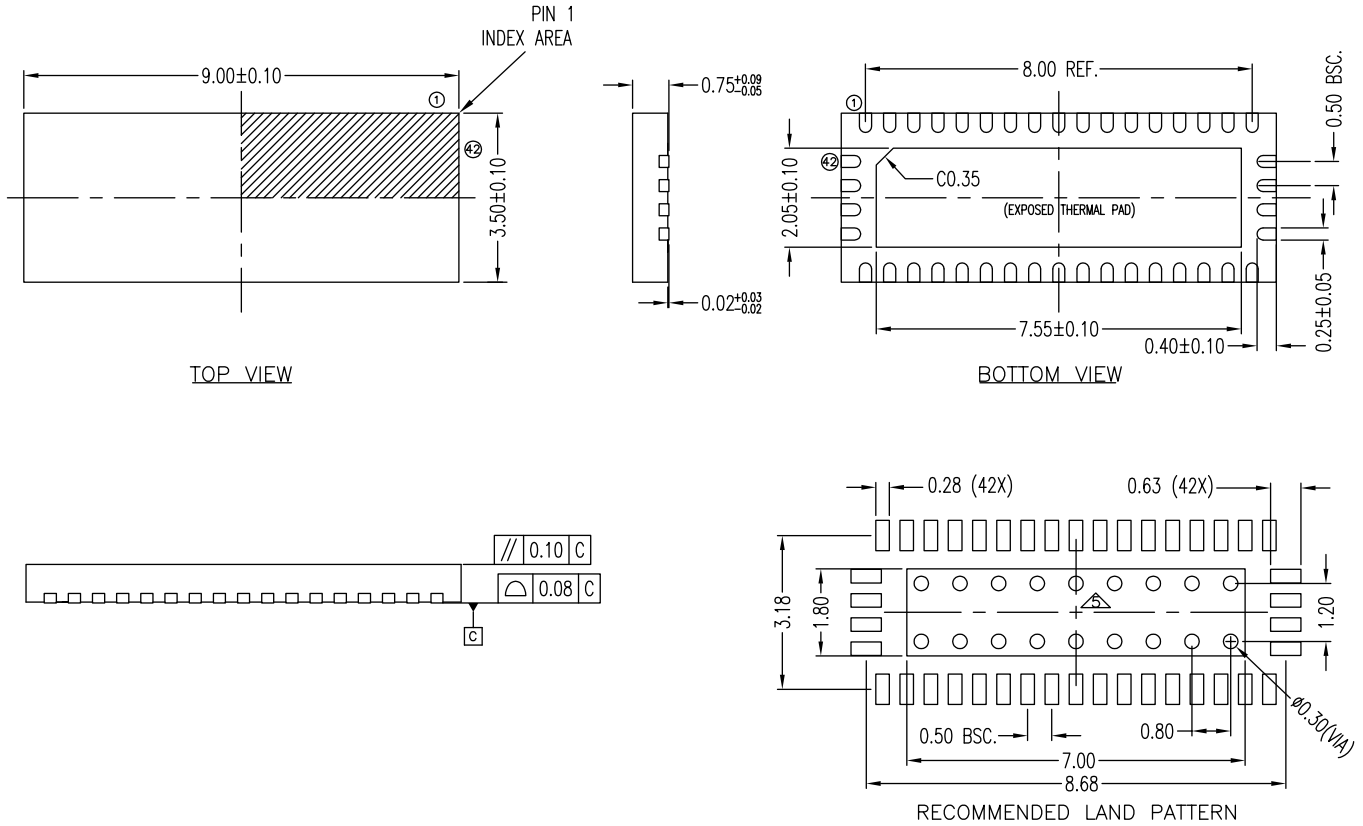
(2) Recommended maximum capacitance load per bus segment is 400pF.

(3) Compliant to I2C physical layer specification.

(4) Ensured by Design. Parameter not tested in production.

PI3EQX1204-C

Package Mechanical: 42-Contact TQFN (ZH)



- NOTE :
1. ALL DIMENSIONS ARE IN mm. ANGLES IN DEGREES.
 2. COPLANARITY APPLIES TO THE EXPOSED THERMAL PAD AS WELL AS THE TERMINALS.
 3. REFER JEDEC MO-220
 4. RECOMMENDED LAND PATTERN IS FOR REFERENCE ONLY.
 5. THERMAL PAD SOLDERING AREA (MESH STENCIL IS RECOMMENDED).

DIODES INCORPORATED	PERICOM ANALOG SERIAL CONNECTIVITY	DATE: 04/25/17
DESCRIPTION: 42-Contact, Very Thin Quad Flat No-Lead (TQFN)		
PACKAGE CODE: ZH (ZH42)		
DOCUMENT CONTROL #: PD-2035	REVISION: G	

17-0266

Note: For latest package info, please check: <https://www.diodes.com/design/support/packaging/pericom-packaging/>

Ordering Information

Ordering Number	Package Code	Package Description
PI3EQX1204-CZHE	ZH	42-Contact, Thin Fine Pitch Quad Flat No-Lead (TQFN)
PI3EQX1204-CZHEX	ZH	42-Contact, Thin Fine Pitch Quad Flat No-Lead (TQFN), Tape & Reel

Notes:

- Thermal characteristics can be found on the company web site at www.pericom.com/packaging/
- E = Pb-free and Green
- X suffix = Tape/Reel

IMPORTANT NOTICE

DIODES INCORPORATED MAKES NO WARRANTY OF ANY KIND, EXPRESS OR IMPLIED, WITH REGARDS TO THIS DOCUMENT, INCLUDING, BUT NOT LIMITED TO, THE IMPLIED WARRANTIES OF MERCHANTABILITY AND FITNESS FOR A PARTICULAR PURPOSE (AND THEIR EQUIVALENTS UNDER THE LAWS OF ANY JURISDICTION).

Diodes Incorporated and its subsidiaries reserve the right to make modifications, enhancements, improvements, corrections or other changes without further notice to this document and any product described herein. Diodes Incorporated does not assume any liability arising out of the application or use of this document or any product described herein; neither does Diodes Incorporated convey any license under its patent or trademark rights, nor the rights of others. Any Customer or user of this document or products described herein in such applications shall assume all risks of such use and will agree to hold Diodes Incorporated and all the companies whose products are represented on Diodes Incorporated website, harmless against all damages.

Diodes Incorporated does not warrant or accept any liability whatsoever in respect of any products purchased through unauthorized sales channel.

Should Customers purchase or use Diodes Incorporated products for any unintended or unauthorized application, Customers shall indemnify and hold Diodes Incorporated and its representatives harmless against all claims, damages, expenses, and attorney fees arising out of, directly or indirectly, any claim of personal injury or death associated with such unintended or unauthorized application.

Products described herein may be covered by one or more United States, international or foreign patents pending. Product names and markings noted herein may also be covered by one or more United States, international or foreign trademarks.

This document is written in English but may be translated into multiple languages for reference. Only the English version of this document is the final and definitive format released by Diodes Incorporated.

LIFE SUPPORT

Diodes Incorporated products are specifically not authorized for use as critical components in life support devices or systems without the express written approval of the Chief Executive Officer of Diodes Incorporated. As used herein:

A. Life support devices or systems are devices or systems which:

1. are intended to implant into the body, or
 2. support or sustain life and whose failure to perform when properly used in accordance with instructions for use provided in the labeling can be reasonably expected to result in significant injury to the user.
- B. A critical component is any component in a life support device or system whose failure to perform can be reasonably expected to cause the failure of the life support device or to affect its safety or effectiveness.

Customers represent that they have all necessary expertise in the safety and regulatory ramifications of their life support devices or systems, and acknowledge and agree that they are solely responsible for all legal, regulatory and safety-related requirements concerning their products and any use of Diodes Incorporated products in such safety-critical, life support devices or systems, notwithstanding any devices- or systems-related information or support that may be provided by Diodes Incorporated. Further, Customers must fully indemnify Diodes Incorporated and its representatives against any damages arising out of the use of Diodes Incorporated products in such safety-critical, life support devices or systems.

Copyright © 2016, Diodes Incorporated
www.diodes.com