

TLP7920, TLP7920F

1. Applications

- Motor phase and rail current sensing
- Power inverter current and voltage sensing

2. General

The TLP7920 and TLP7920F of isolation amplifiers is designed for current sensing in electronic motor drives. In a typical implementation, motor currents flow through an external resistor and the resulting analog voltage drop is sensed by the TLP7920 or TLP7920F.

3. Features

- (1) Output side supply voltage: 3.0 to 5.5 V
- (2) Output side supply current: 6.2 mA (typ.)
- (3) Operating temperature range: -40 to 105 °C
- (4) Common-mode transient immunity: 15 kV/μs (min)
- (5) Safety standards

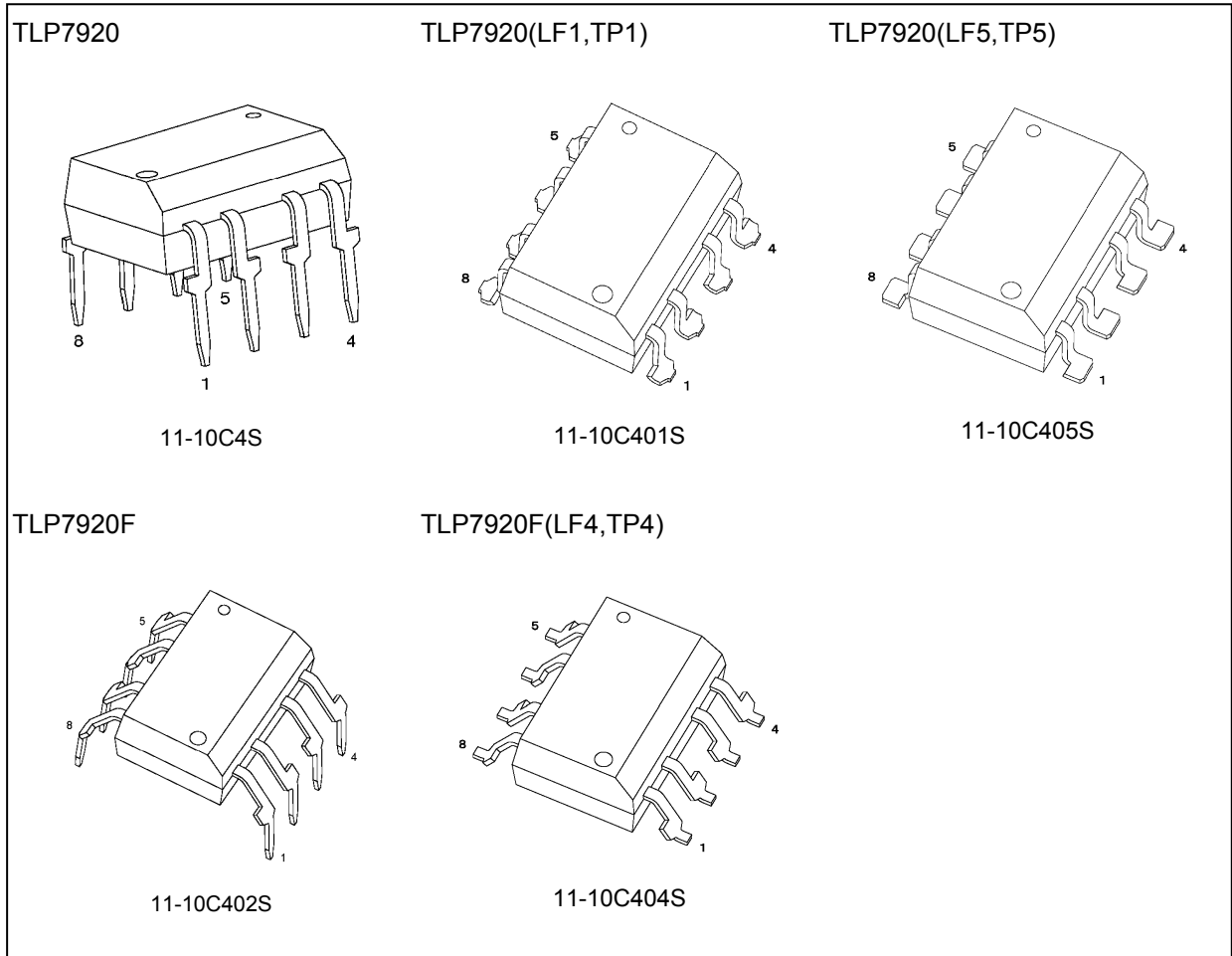
UL-approved: UL1577, File No.E67349

cUL-approved: CSA Component Acceptance Service No.5A File No.E67349

VDE-approved: EN60747-5-5, EN60065 or EN60950-1 (**Note 1**)

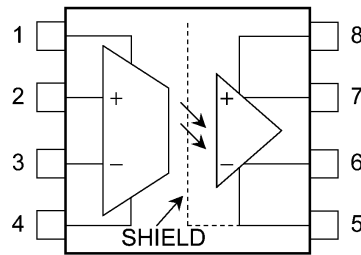
Note 1: When a VDE approved type is needed, please designate the **Option (D4)**.

4. Packaging (Note)



Note: Through-hole type: TLP7920, TLP7920F
 Lead forming option: (LF1),(LF4),(LF5)
 Taping option: (TP1),(TP4),(TP5)

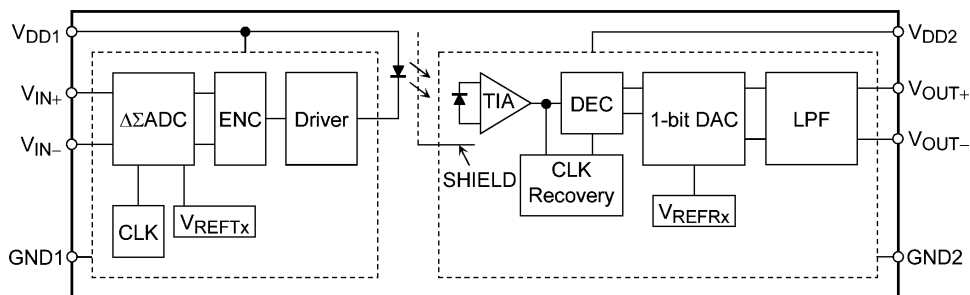
5. Pin Assignment



5.1. Pin Functions

| Pin No. | Symbol | Description |
|---------|-------------------|----------------------------|
| 1 | V _{DD1} | Input side supply voltage |
| 2 | V _{IN+} | Positive input |
| 3 | V _{IN-} | Negative input |
| 4 | GND1 | Input side ground |
| 5 | GND2 | Output side ground |
| 6 | V _{OUT-} | Negative output |
| 7 | V _{OUT+} | Positive output |
| 8 | V _{DD2} | Output side supply voltage |

6. Internal Circuit (Note)



Note: A 0.1 μ F bypass capacitor must be connected between 1 and 4 pins and between 5 and 8 pins.

7. Principle of Operation

7.1. Mechanical Parameters

| Characteristics | 7.62-mm Pitch TLP7920 | 10.16-mm Pitch TLP7920F | Unit |
|------------------------------|--------------------------|----------------------------|------|
| Creepage distances | 7.0 (min) | 8.0 (min) | mm |
| Clearance | 7.0 (min) | 8.0 (min) | |
| Internal isolation thickness | 0.4 (min) | 0.4 (min) | |

8. Absolute Maximum Ratings (Note) (Unless otherwise specified, $T_a = 25\text{ }^\circ\text{C}$)

| Characteristics | Symbol | Note | Rating | Unit |
|--|----------------------|----------|-------------------------|------------------|
| Supply Voltages | V_{DD1}, V_{DD2} | | -0.5 to 6 | V |
| Steady-state input voltages | V_{IN+}, V_{IN-} | | -0.5 to $V_{DD1} + 0.5$ | |
| Two-second transient input voltages | V_{IN+}, V_{IN-} | | -0.5 to 6 | |
| Input power dissipation | P_D | (Note 1) | 72 | mW |
| Output voltages | V_{OUT+}, V_{OUT-} | | -0.5 to 6 | V |
| Output power dissipation | P_O | (Note 1) | 60 | mW |
| Operating temperature | T_{opr} | | -40 to 105 | $^\circ\text{C}$ |
| Storage temperature | T_{stg} | | -55 to 125 | $^\circ\text{C}$ |
| Lead soldering temperature (10 s) | T_{sol} | (Note 2) | 260 | $^\circ\text{C}$ |
| Isolation voltage AC, 60 s, R.H. $\leq 60\%$ | BV_S | (Note 3) | 5000 | Vrms |

Note: Using continuously under heavy loads (e.g. the application of high temperature/current/voltage and the significant change in temperature, etc.) may cause this product to decrease in the reliability significantly even if the operating conditions (i.e. operating temperature/current/voltage, etc.) are within the absolute maximum ratings.

Please design the appropriate reliability upon reviewing the Toshiba Semiconductor Reliability Handbook ("Handling Precautions"/"Derating Concept and Methods") and individual reliability data (i.e. reliability test report and estimated failure rate, etc).

Note: Ceramic capacitors (0.1 μF) should be connected between 1 and 4 pins and between 5 and 8 pins to stabilize the operation. Otherwise, this photocoupler may not switch properly. The bypass capacitors should be placed as close as possible to each pin.

Note 1: Input power dissipation derating($T_a \geq 114.2\text{ }^\circ\text{C}$): -6.7 mW/ $^\circ\text{C}$
 Output power dissipation derating($T_a \geq 116.0\text{ }^\circ\text{C}$): -6.7 mW/ $^\circ\text{C}$

Note 2: $\geq 2\text{ mm}$ below seating plane.

Note 3: This device is considered as a two-terminal device: Pins 1, 2, 3 and 4 are shorted together, and pins 5, 6, 7 and 8 are shorted together.

9. Recommended Operating Conditions (Note)

| Characteristics | Symbol | Note | Min | Typ. | Max | Unit |
|----------------------------|--------------------|--------------------|------|------|-----|------------------|
| Input side supply voltage | V_{DD1} | | 4.5 | 5 | 5.5 | V |
| Output side supply voltage | V_{DD2} | | 3.0 | — | 5.5 | |
| Analog input voltage | V_{IN+}, V_{IN-} | (Note 1), (Note 2) | -200 | — | 200 | mV |
| Ambient temperature | T_a | | -40 | — | 105 | $^\circ\text{C}$ |

Note: The recommended operating conditions are given as a design guide necessary to obtain the intended performance of the device. Each parameter is an independent value. When creating a system design using this device, the electrical characteristics specified in this datasheet should also be considered.

Note 1: FSR = $\pm 300\text{ mV}$

Note 2: When either V_{IN+} or V_{IN-} or both are equal to or greater than $V_{DD1} - 2\text{ V}$ (e.g., if $V_{DD1} = 5\text{ V}$, when V_{IN+} and/or V_{IN-} are equal to or greater than $5\text{ V} - 2\text{ V} = 3\text{ V}$), isolation amplifiers go into one of the test modes. Do not raise either V_{IN+} or V_{IN-} above this voltage to keep the device in functional mode.

10. Electrical Characteristics

10.1. DC Characteristics (Unless otherwise specified, $T_a = -40$ to 105 °C, $V_{DD1} = 4.5$ to 5.5 V, $V_{DD2} = 3.0$ to 5.5 V, $V_{IN+} = -200$ to 200 mV, $V_{IN-} = 0$ V)

| Characteristics | Symbol | Note | Test Condition | Min | Typ. | Max | Unit |
|--|----------------------|----------|---|------|---------|------|------------------|
| Input offset voltage | V_{OS} | | $T_a = 25$ °C | -0.7 | 0.73 | 2.1 | mV |
| Input offset voltage drift vs ambient temperature | $ dV_{OS}/dT_a $ | | | — | 3 | 10 | $\mu V/^\circ C$ |
| Input offset voltage drift vs input side supply voltage | $ dV_{OS}/dV_{DD1} $ | | | — | 120 | — | $\mu V/V$ |
| Gain (Rank B) | G_0 | (Note 1) | $T_a = 25$ °C | — | — | — | V/V |
| Gain (Rank A) | G_1 | (Note 1) | $T_a = 25$ °C | — | — | — | |
| Gain (None) | G_3 | (Note 1) | $T_a = 25$ °C | — | — | — | |
| Gain drift vs ambient temperature | $ dG/dT_a $ | | | — | 0.00012 | — | $V/V/^\circ C$ |
| V_{OUT} non-linearity (± 200 mV) | NL ₂₀₀ | (Note 2) | $V_{IN+} = -200$ to 200 mV, $T_a = 25$ °C | — | 0.02 | 0.13 | % |
| V_{OUT} non-linearity (± 200 mV) drift vs ambient temperature | $ dNL_{200}/dT_a $ | | | — | 0.00007 | — | $\%/^\circ C$ |
| V_{OUT} non-linearity (± 100 mV) | NL ₁₀₀ | (Note 2) | $V_{IN+} = -100$ to 100 mV, $T_a = 25$ °C | — | 0.01 | 0.06 | % |
| High-level output voltage | V_{OH} | | $V_{IN+} = 400$ mV, $T_a = 25$ °C | — | 2.497 | — | V |
| Low-level output voltage | V_{OL} | | $V_{IN+} = -400$ mV, $T_a = 25$ °C | — | 0.0009 | — | |
| Input common-mode rejection ratio | CMRR _{IN} | | | — | 80 | — | dB |
| Input bias current | I_{IN+} | | $V_{IN+} = 0$ V, $T_a = 25$ °C | -1 | -0.055 | — | μA |
| Input side supply current (V_{DD1}) | I_{DD1} | | $V_{IN+} = 0$ V | — | 8.6 | 12 | mA |
| Output side supply current (V_{DD2}) | I_{DD2} | | $V_{IN+} = 0$ V | — | 6.2 | 10 | mA |
| Equivalent input resistance | R_{IN} | | | — | 80 | — | k Ω |

Note 1: See Chapter 10.1.1 for gain rank values.

Note 2: The slope of the optimum line is derived by the method of least squares between differential input voltage ($V_{IN+} - V_{IN-}$) and differential output voltage ($V_{OUT+} - V_{OUT-}$). Nonlinearity is defined as a fraction of the half of the peak-to-peak value of differential output voltage deviation divided by the full-scale differential output voltage (OVR).

10.1.1. Gain Rank (Note) (Unless otherwise specified, $T_a = 25$ °C)

| Rank | Gain Rank Marking | Gain | | | Unit |
|-----------------------|-------------------|-------|--------|-------|------|
| | | (Min) | (Typ.) | (Max) | |
| None (± 3 %) | Blank, A, B | 7.95 | 8.2 | 8.44 | V/V |
| Rank A (± 1 %) | A, B | 8.12 | 8.2 | 8.28 | |
| Rank B (± 0.5 %) | B | 8.16 | 8.2 | 8.24 | |

Note: The gain is defined as the slope of the optimum line derived by the method of least squares between differential input voltage ($V_{IN+} - V_{IN-}$) and differential output voltage ($V_{OUT+} - V_{OUT-}$) in the recommended voltage range.

Note: Specify both the part number and a rank in this format when ordering.

Example: TLP7920(B,F(O

For safety standard certification, however, specify the part number alone.

Example: TLP7920(B,F(O \rightarrow TLP7920

10.2. AC Characteristics (Note) (Unless otherwise specified, $T_a = -40$ to 105 °C, $V_{DD1} = 4.5$ to 5.5 V, $V_{DD2} = 3.0$ to 5.5 V)

| Characteristics | Symbol | Test Condition | Min | Typ. | Max | Unit |
|--|------------|--|--------------------------------|------|-----|---------|
| V_{OUT} bandwidth (-3 dB) | f_{-3dB} | $V_{IN+} = 400$ mV _{p-p} , sine wave | 140 | 230 | — | kHz |
| V_{IN} to V_{OUT} propagation delay time (10 %-10 %) | t_{pD10} | $V_{IN+} = 0$ to 200 mV/ μ s step $C_L = 15$ pF | — | 1.9 | 2.3 | μ s |
| V_{IN} to V_{OUT} propagation delay time (50 %-50 %) | t_{pD50} | | — | 2.3 | 2.6 | |
| V_{IN} to V_{OUT} propagation delay time (90 %-90 %) | t_{pD90} | | — | 2.8 | 3.3 | |
| V_{OUT} rise time | t_r | | — | 1.7 | — | |
| V_{OUT} fall time | t_f | | — | 1.7 | — | |
| Common-mode transient immunity | CMTI | | $V_{CM} = 1$ kV, $T_a = 25$ °C | 15 | 20 | |

Note: All typical values are at $T_a = 25$ °C.

C_L is approximately 15 pF which includes probe and stray wiring capacitance.

11. Isolation Characteristics (Unless otherwise specified, $T_a = 25$ °C)

| Characteristics | Symbol | Note | Test Condition | Min | Typ. | Max | Unit |
|-------------------------------------|--------|----------|---------------------------------|--------------------|-----------|-----|------------------|
| Total capacitance (input to output) | C_S | (Note 1) | $V_S = 0$ V, $f = 1$ MHz | — | 1.0 | — | pF |
| Isolation resistance | R_S | (Note 1) | $V_S = 500$ V, R.H. ≤ 60 % | 1×10^{12} | 10^{14} | — | Ω |
| Isolation voltage | BV_S | (Note 1) | AC, 60 s | 5000 | — | — | V _{rms} |
| | | | AC, 1 s in oil | — | 10000 | — | |
| | | | DC, 60 s in oil | — | 10000 | — | V _{dc} |

Note 1: This device is considered as a two-terminal device: Pins 1, 2, 3 and 4 are shorted together, and pins 5, 6, 7 and 8 are shorted together.

12. Characteristics Curves (Note)

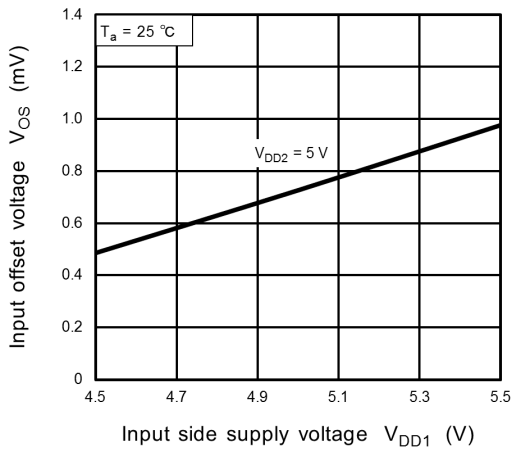


Fig. 12.1 $V_{OS} - V_{DD1}$

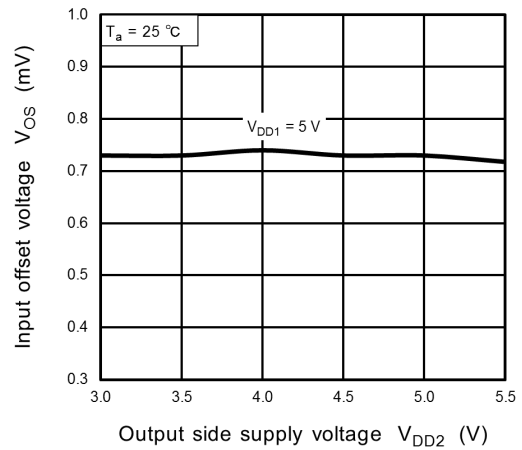


Fig. 12.2 $V_{OS} - V_{DD2}$

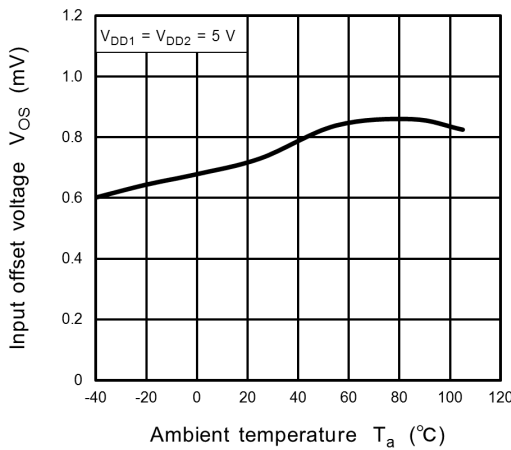


Fig. 12.3 $V_{OS} - T_a$

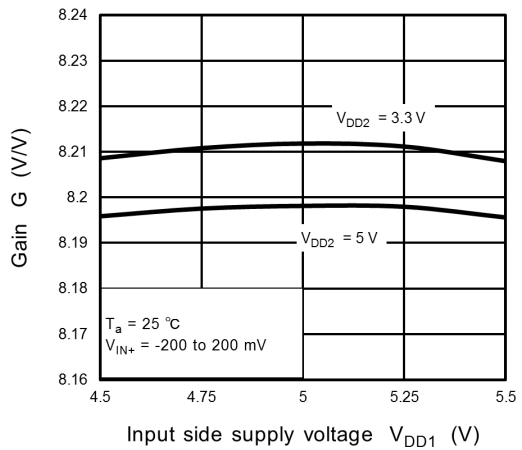


Fig. 12.4 $G - V_{DD1}$

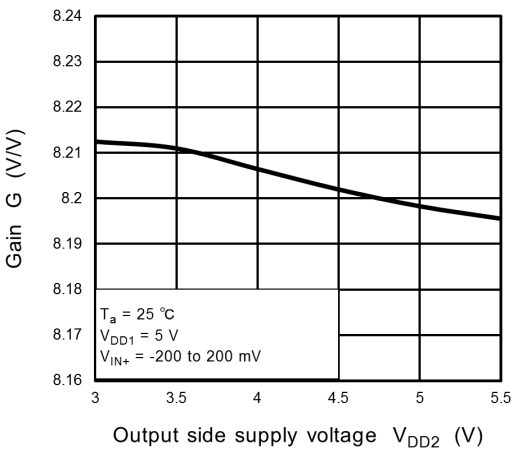


Fig. 12.5 $G - V_{DD2}$

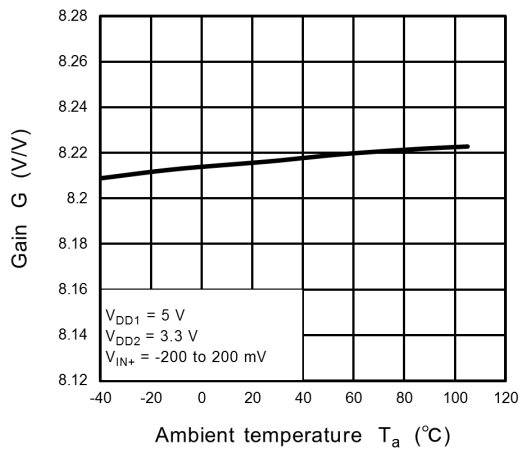


Fig. 12.6 $G - T_a$

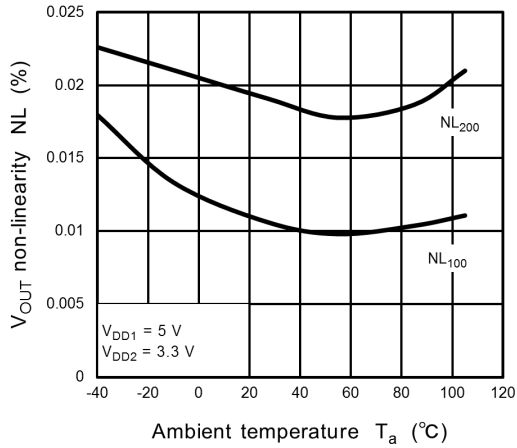


Fig. 12.7 NL - T_a

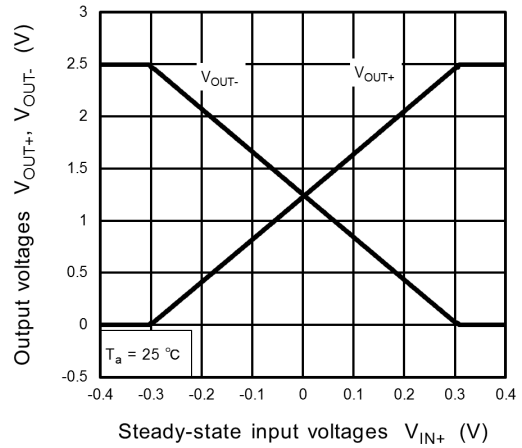


Fig. 12.8 V_{OUT} - V_{IN+}

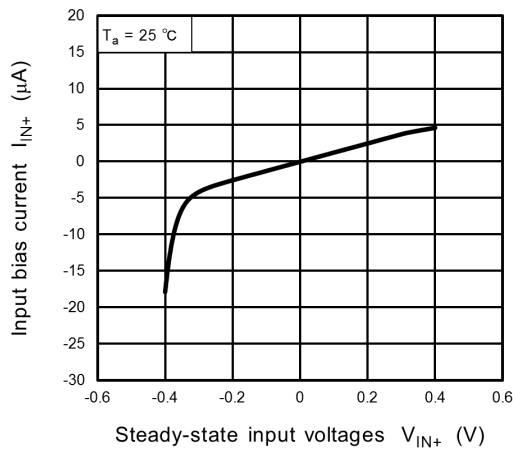


Fig. 12.9 I_{IN+} - V_{IN+}

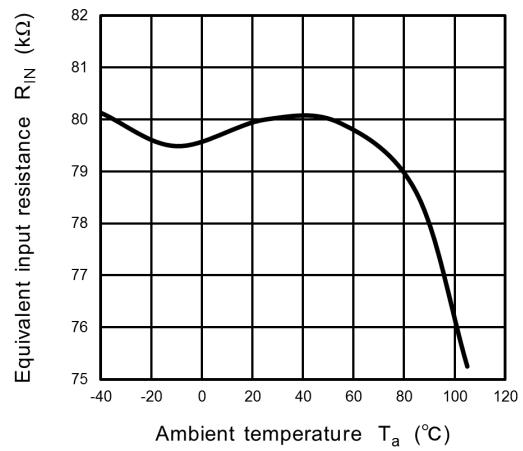


Fig. 12.10 R_{IN} - T_a

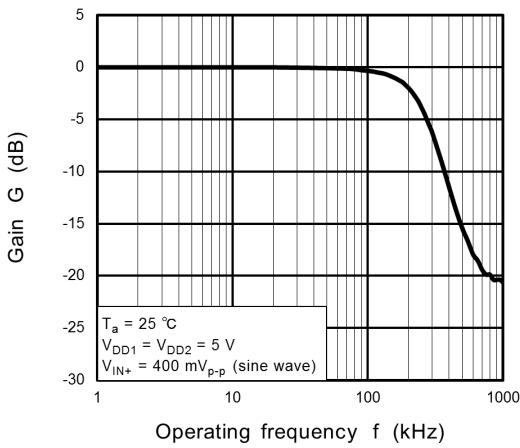


Fig. 12.11 G[dB] - f

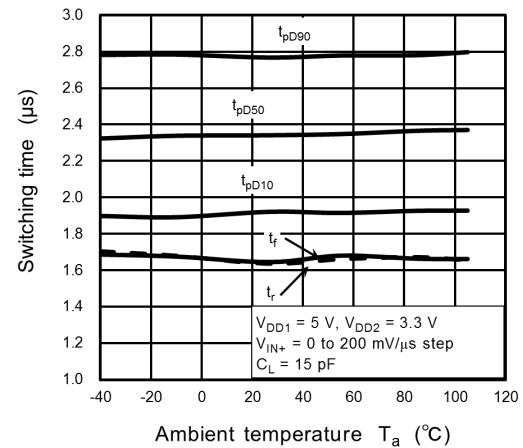


Fig. 12.12 Switching time - T_a

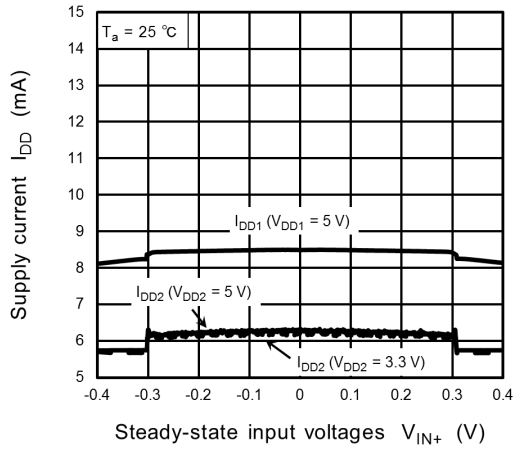


Fig. 12.13 $I_{DD} - V_{IN+}$

Note: The above characteristics curves are presented for reference only and not guaranteed by production test, unless otherwise noted.

13. Soldering and Storage

13.1. Precautions for Soldering

The soldering temperature should be controlled as closely as possible to the conditions shown below, irrespective of whether a soldering iron or a reflow soldering method is used.

- When using soldering reflow.

The soldering temperature profile is based on the package surface temperature.

(See the figure shown below, which is based on the package surface temperature.)

Reflow soldering must be performed once or twice.

The mounting should be completed with the interval from the first to the last mountings being 2 weeks.

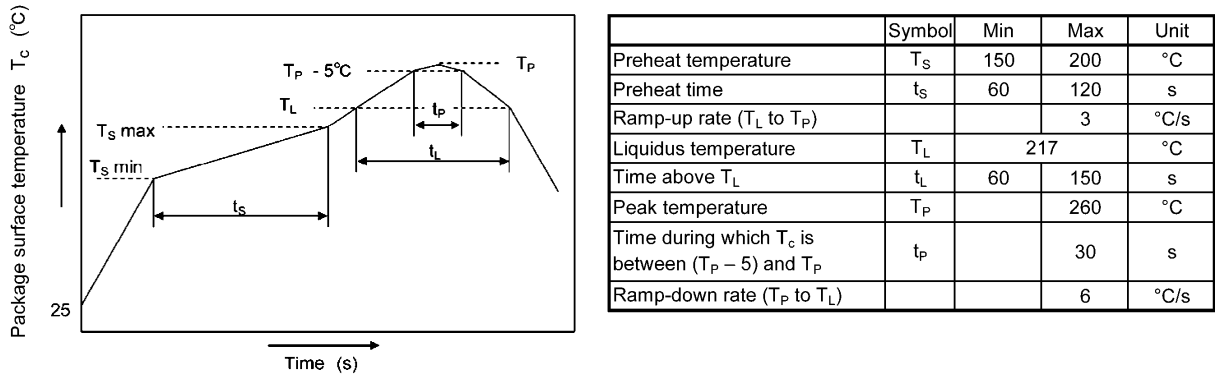


Fig. 13.1.1 An Example of a Temperature Profile When Lead(Pb)-Free Solder Is Used

- When using soldering flow
Preheat the device at a temperature of 150 °C (package surface temperature) for 60 to 120 seconds.
Mounting condition of 260 °C within 10 seconds is recommended.
Flow soldering must be performed once.
- When using soldering Iron
Complete soldering within 10 seconds for lead temperature not exceeding 260 °C or within 3 seconds not exceeding 350 °C
Heating by soldering iron must be done only once per lead.

13.2. Precautions for General Storage

- Avoid storage locations where devices may be exposed to moisture or direct sunlight.
- Follow the precautions printed on the packing label of the device for transportation and storage.
- Keep the storage location temperature and humidity within a range of 5 °C to 35 °C and 45 % to 75 %, respectively.
- Do not store the products in locations with poisonous gases (especially corrosive gases) or in dusty conditions.
- Store the products in locations with minimal temperature fluctuations. Rapid temperature changes during storage can cause condensation, resulting in lead oxidation or corrosion, which will deteriorate the solderability of the leads.
- When restoring devices after removal from their packing, use anti-static containers.
- Do not allow loads to be applied directly to devices while they are in storage.
- If devices have been stored for more than two years under normal storage conditions, it is recommended that you check the leads for ease of soldering prior to use.

14. Land Pattern Dimensions (for reference only)

Unit : mm

TLP7920

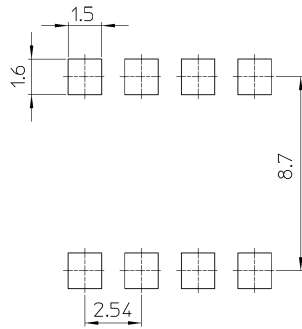


Fig. 14.1 Lead forming and taping option (LF1), (TP1), (LF5), (TP5)

TLP7920F

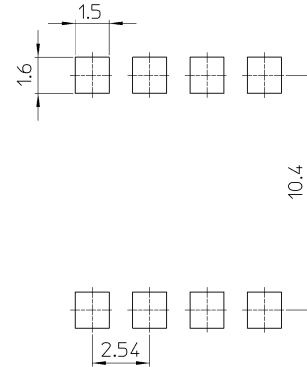
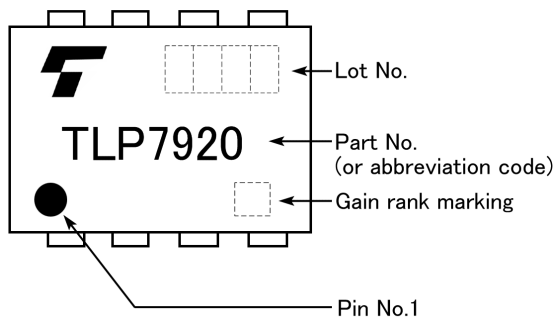


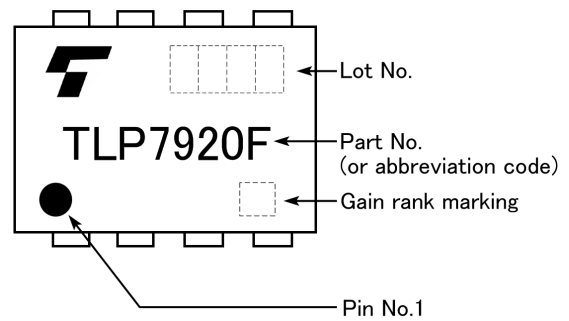
Fig. 14.2 Lead forming and taping option (LF4), (TP4)

15. Marking

TLP7920



TLP7920F



Note: A different marking is used for photocouplers that have been qualified according to option (D4) of EN60747. See Fig.16.3 and Fig.16.4.

16. EN60747-5-5 Option (D4) Specification

- Example: TLP7920 (Note 1)
- The following part naming conventions are used for the devices that have been qualified according to option (D4) of EN60747.

Example: TLP7920(D4ATP1,F(O

D4: EN60747 option

A: Gain Rank

TP1: Tape type

F: [[G]]/RoHS COMPATIBLE (Note 2)

(O: Domestic ID (Country / Region of origin: Japan)

Note 1: Use TOSHIBA standard type number for safety standard application.

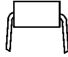
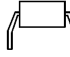
e.g., TLP7920(D4ATP1,F(O → TLP7920

Note 2: Please contact your Toshiba sales representative for details on environmental information such as the product's RoHS compatibility.

RoHS is the Directive 2011/65/EU of the European Parliament and of the Council of 8 June 2011 on the restriction of the use of certain hazardous substances in electrical and electronics equipment.

| Description | | Symbol | Rating | Unit |
|---|---|-------------------|---|-------------------|
| Application classification | | | | |
| for rated mains voltage ≤ 300 Vrms | | | I-IV | — |
| for rated mains voltage ≤ 600 Vrms | | | I-III | |
| Climatic classification | | | 40 / 100 / 21 | — |
| Pollution degree | | | 2 | — |
| Maximum operating insulation voltage | TLPxxxx type | V _{IORM} | 890 | V _{peak} |
| | TLPxxxxF type | | 1140 | |
| Input to output test voltage, Method A V _{pr} = 1.6 × V _{IORM} , type and sample test t _p = 10 s, partial discharge < 5 pC | TLPxxxx type | V _{pr} | 1424 | V _{peak} |
| | TLPxxxxF type | | 1824 | |
| Input to output test voltage, Method B V _{pr} = 1.875 × V _{IORM} , 100 % production test t _p = 1 s, partial discharge < 5 pC | TLPxxxx type | V _{pr} | 1670 | V _{peak} |
| | TLPxxxxF type | | 2140 | |
| Highest permissible overvoltage (transient overvoltage, t _{pr} = 60 s) | | V _{TR} | 8000 | V _{peak} |
| Safety limiting values (max. permissible ratings in case of fault, also refer to thermal derating curve) | | | | |
| current (input current I _F , P _{so} = 0) | | I _{si} | 400 | mA |
| power (output or total power dissipation) | | P _{so} | 700 | mW |
| temperature | | T _s | 150 | °C |
| Insulation resistance | V _{IO} = 500 V, T _a = 25 °C V _{IO} = 500 V, T _a = 100 °C V _{IO} = 500 V, T _a = T _s | R _{si} | ≥ 10 ¹² ≥ 10 ¹¹ ≥ 10 ⁹ | Ω |

Fig. 16.1 EN60747 Insulation Characteristics

| | |  7.62 mm pitch TLPxxx type |  10.16 mm pitch TLPxxxF type |
|------------------------------|-----|---|---|
| Minimum creepage distance | Cr | 7.0 mm | 8.0 mm |
| Minimum clearance | Cl | 7.0 mm | 8.0 mm |
| Minimum insulation thickness | ti | 0.4 mm | |
| Comparative tracking index | CTI | 175 | |

Insulation Related Specifications (Note)

- Note: If a printed circuit is incorporated, the creepage distance and clearance may be reduced below this value. (e.g., at a standard distance between soldering eye centers of 7.5 mm). If this is not permissible, the user shall take suitable measures.
- Note: This photocoupler is suitable for **safe electrical isolation** only within the safety limit data. Maintenance of the safety data shall be ensured by means of protective circuits.



Fig. 16.2 Marking on Packing for EN60747

TLP7920

TLP7920F

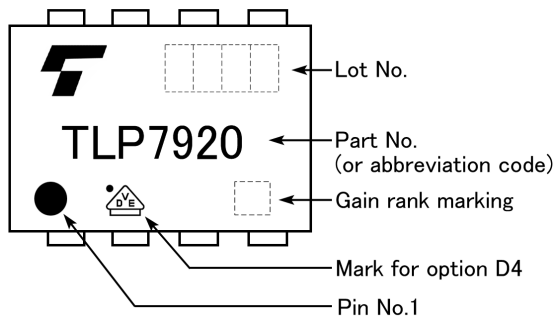


Fig. 16.3 Marking Example (Note)

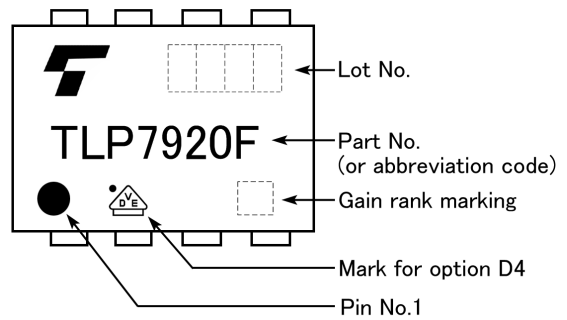


Fig. 16.4 Marking Example (Note)

Note: The above marking is applied to the photocouplers that have been qualified according to option (D4) of EN60747.

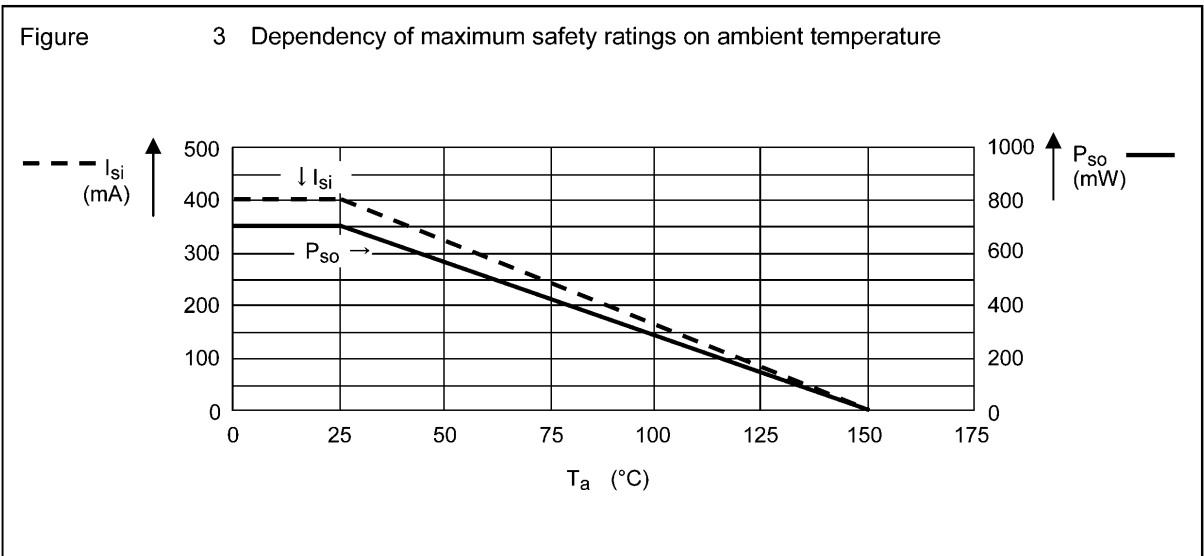
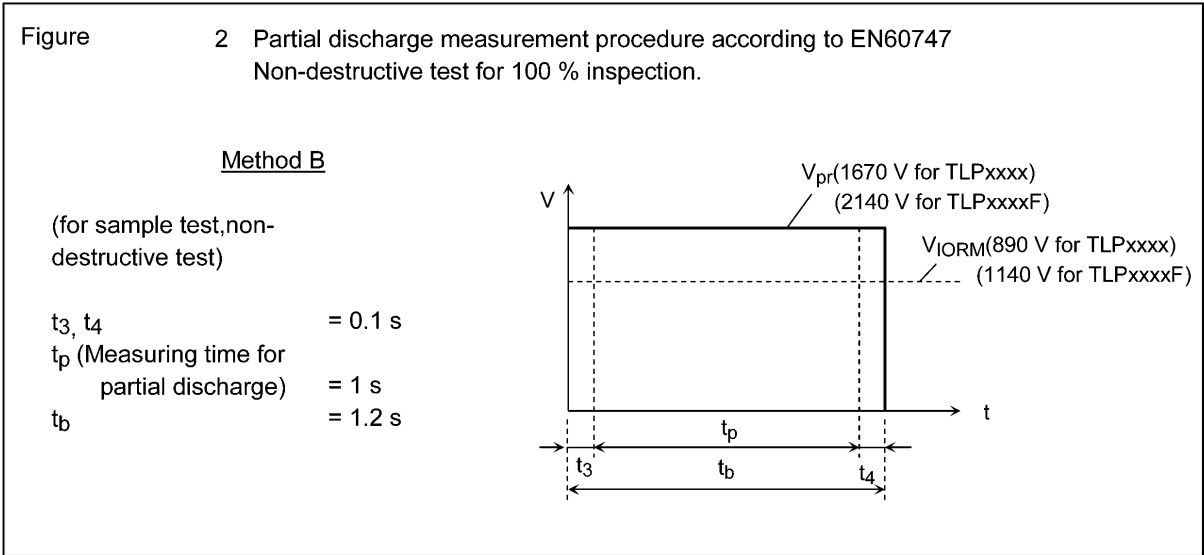
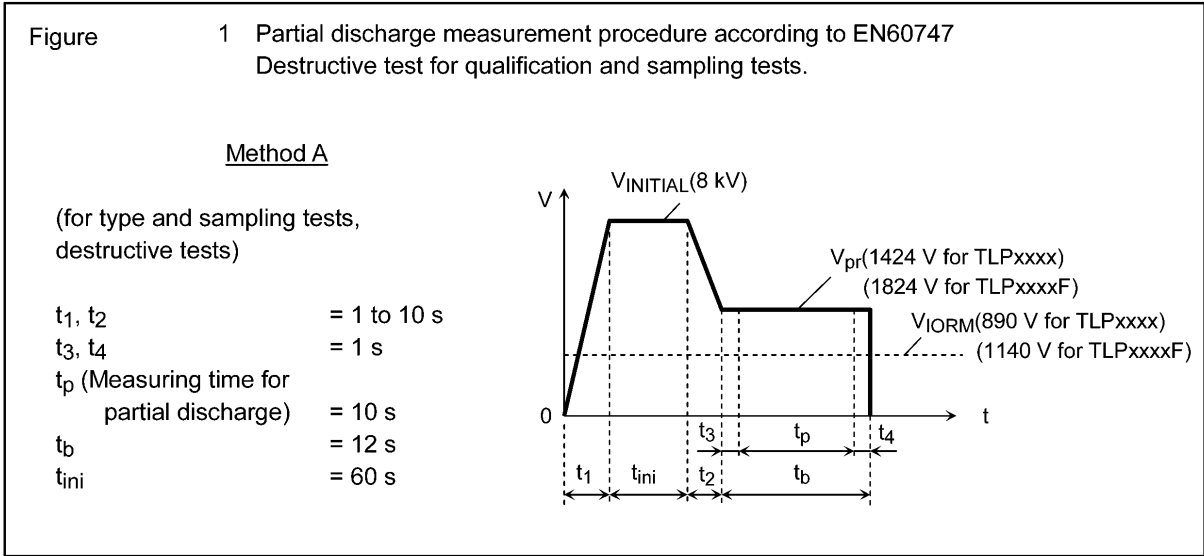
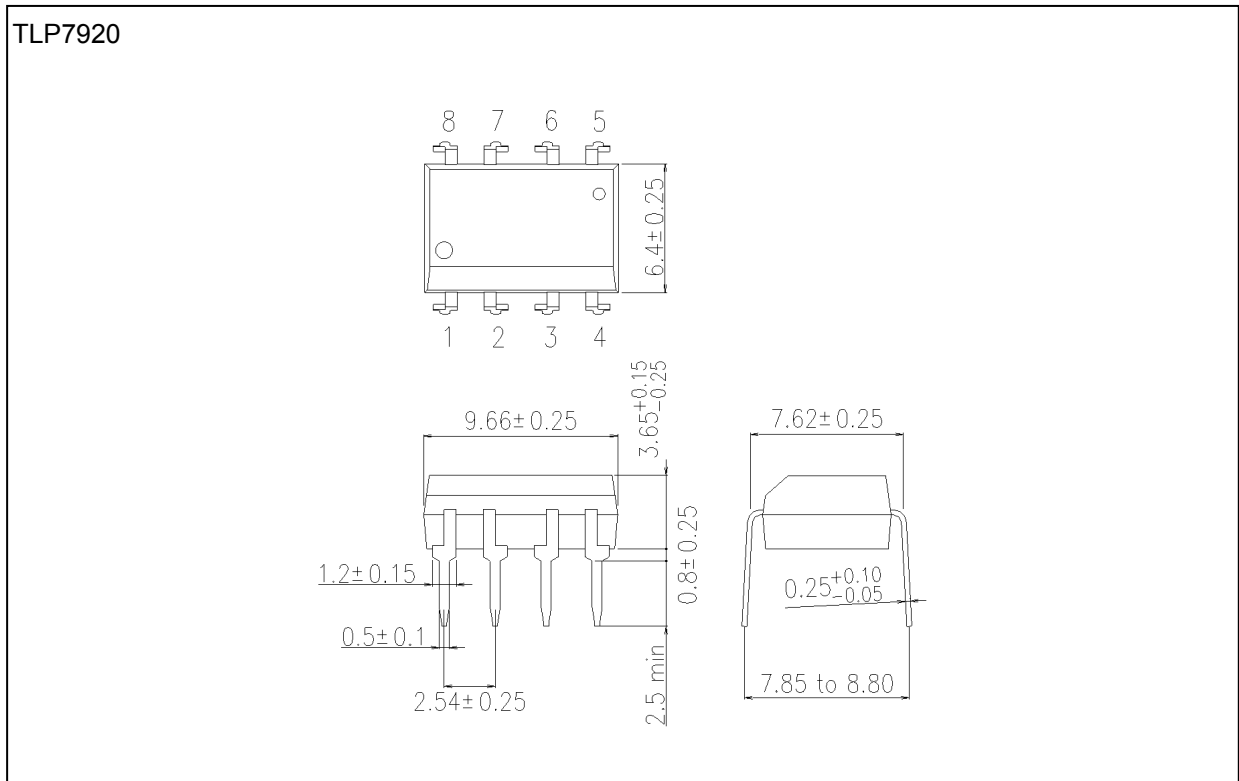


Fig. 16.5 Measurement Procedure

Package Dimensions

Unit: mm

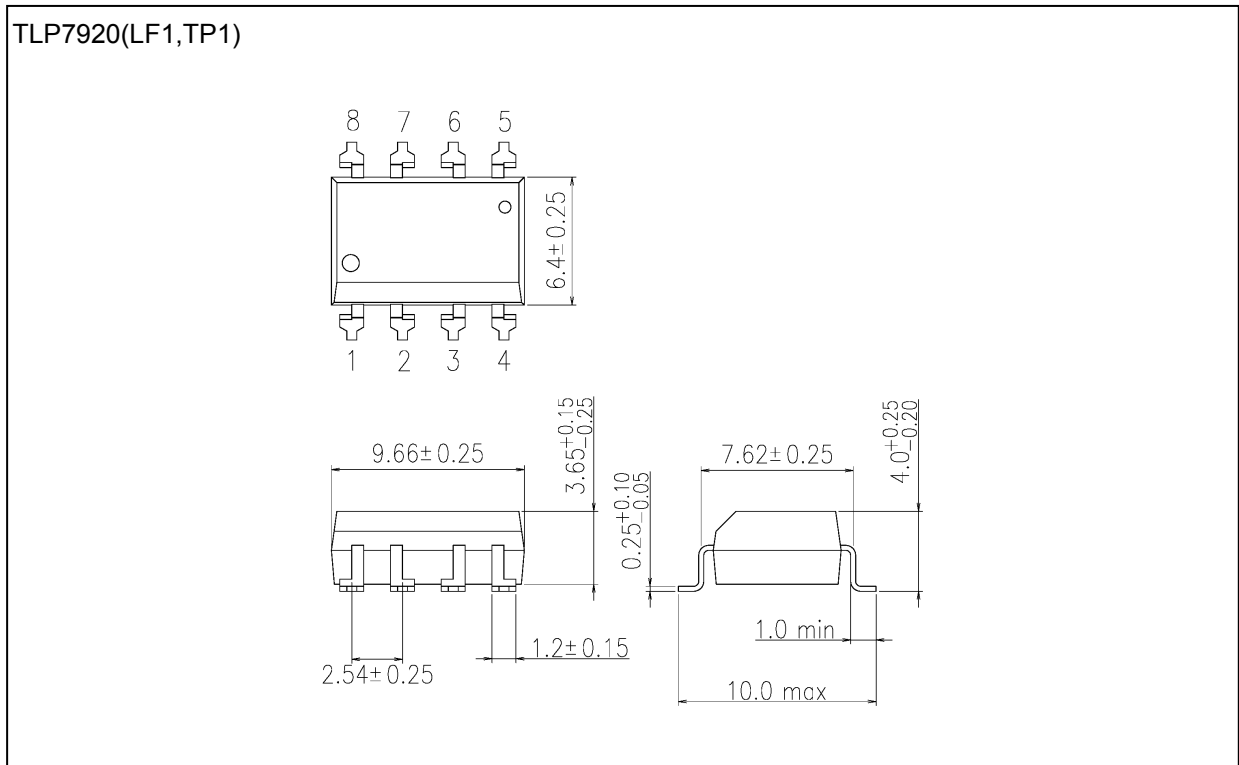


Weight: 0.54 g (typ.)

| Package Name(s) |
|-------------------|
| TOSHIBA: 11-10C4S |

Package Dimensions

Unit: mm

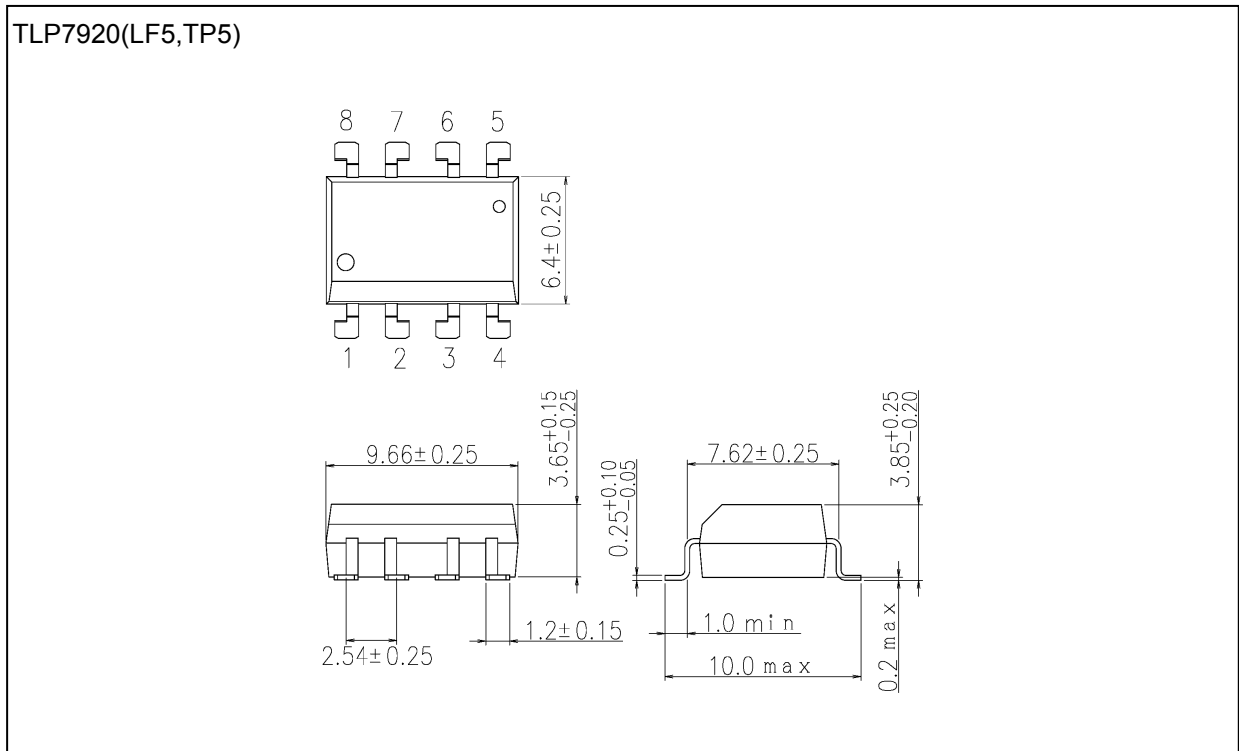


Weight: 0.53 g (typ.)

| Package Name(s) |
|---------------------|
| TOSHIBA: 11-10C401S |

Package Dimensions

Unit: mm

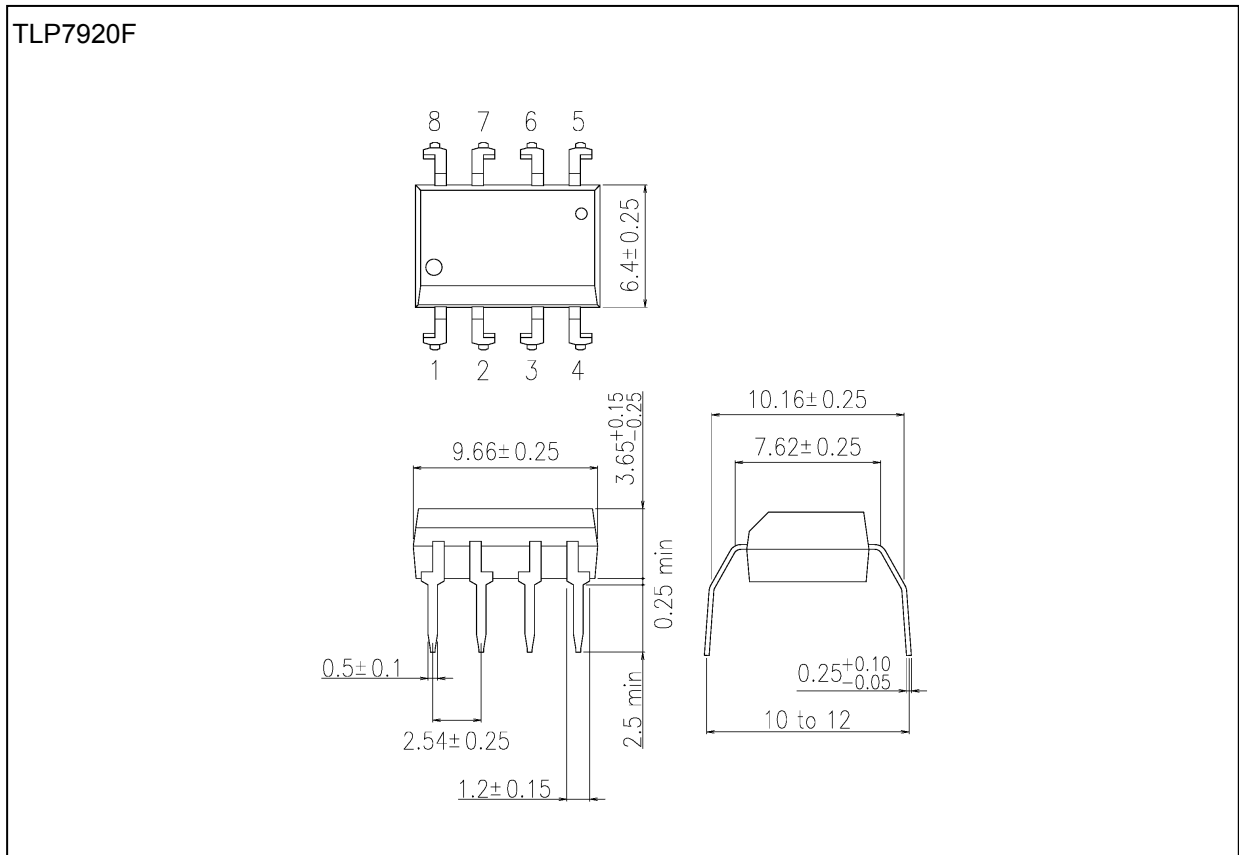


Weight: 0.53 g (typ.)

| Package Name(s) |
|---------------------|
| TOSHIBA: 11-10C405S |

Package Dimensions

Unit: mm

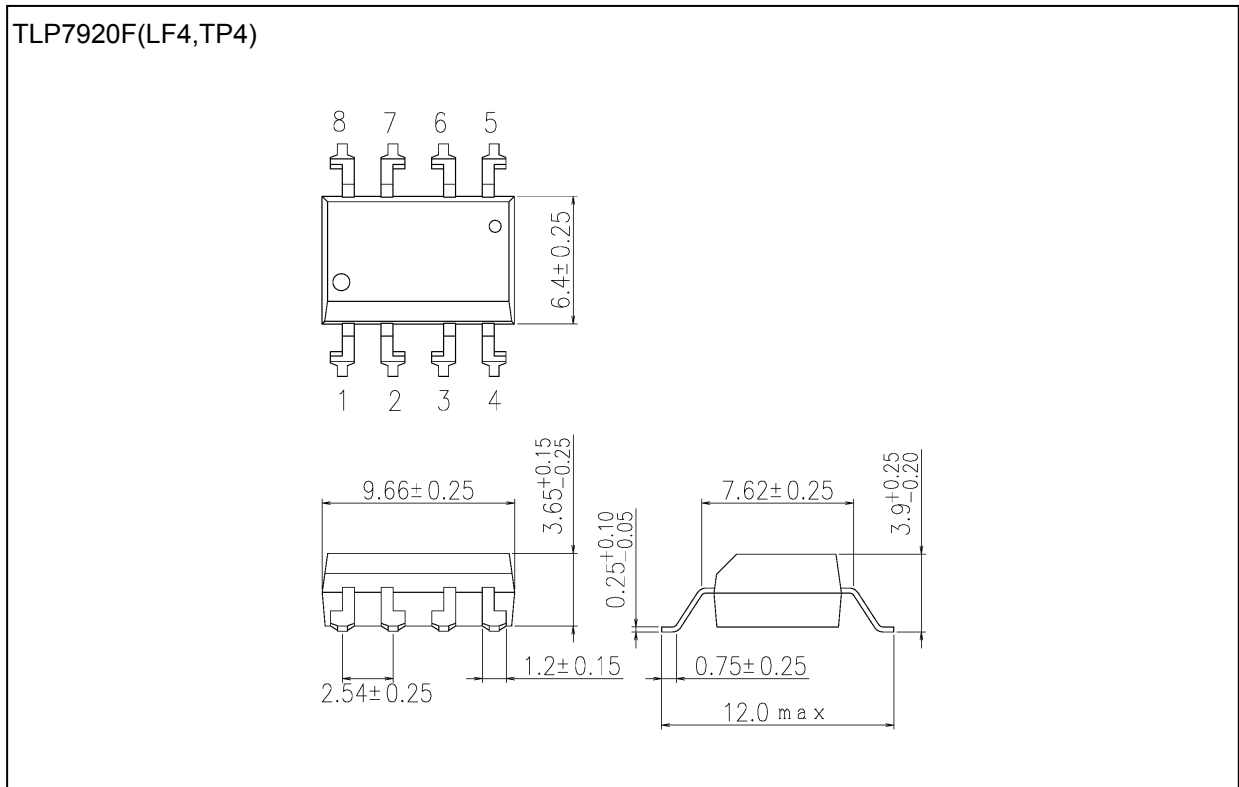


Weight: 0.54 g (typ.)

| Package Name(s) |
|---------------------|
| TOSHIBA: 11-10C402S |

Package Dimensions

Unit: mm



Weight: 0.53 g (typ.)

| Package Name(s) |
|---------------------|
| TOSHIBA: 11-10C404S |

RESTRICTIONS ON PRODUCT USE

- Toshiba Corporation, and its subsidiaries and affiliates (collectively "TOSHIBA"), reserve the right to make changes to the information in this document, and related hardware, software and systems (collectively "Product") without notice.
- This document and any information herein may not be reproduced without prior written permission from TOSHIBA. Even with TOSHIBA's written permission, reproduction is permissible only if reproduction is without alteration/omission.
- Though TOSHIBA works continually to improve Product's quality and reliability, Product can malfunction or fail. Customers are responsible for complying with safety standards and for providing adequate designs and safeguards for their hardware, software and systems which minimize risk and avoid situations in which a malfunction or failure of Product could cause loss of human life, bodily injury or damage to property, including data loss or corruption. Before customers use the Product, create designs including the Product, or incorporate the Product into their own applications, customers must also refer to and comply with (a) the latest versions of all relevant TOSHIBA information, including without limitation, this document, the specifications, the data sheets and application notes for Product and the precautions and conditions set forth in the "TOSHIBA Semiconductor Reliability Handbook" and (b) the instructions for the application with which the Product will be used with or for. Customers are solely responsible for all aspects of their own product design or applications, including but not limited to (a) determining the appropriateness of the use of this Product in such design or applications; (b) evaluating and determining the applicability of any information contained in this document, or in charts, diagrams, programs, algorithms, sample application circuits, or any other referenced documents; and (c) validating all operating parameters for such designs and applications. **TOSHIBA ASSUMES NO LIABILITY FOR CUSTOMERS' PRODUCT DESIGN OR APPLICATIONS.**
- **PRODUCT IS NEITHER INTENDED NOR WARRANTED FOR USE IN EQUIPMENTS OR SYSTEMS THAT REQUIRE EXTRAORDINARILY HIGH LEVELS OF QUALITY AND/OR RELIABILITY, AND/OR A MALFUNCTION OR FAILURE OF WHICH MAY CAUSE LOSS OF HUMAN LIFE, BODILY INJURY, SERIOUS PROPERTY DAMAGE AND/OR SERIOUS PUBLIC IMPACT ("UNINTENDED USE").** Except for specific applications as expressly stated in this document, Unintended Use includes, without limitation, equipment used in nuclear facilities, equipment used in the aerospace industry, medical equipment, equipment used for automobiles, trains, ships and other transportation, traffic signaling equipment, equipment used to control combustions or explosions, safety devices, elevators and escalators, devices related to electric power, and equipment used in finance-related fields. **IF YOU USE PRODUCT FOR UNINTENDED USE, TOSHIBA ASSUMES NO LIABILITY FOR PRODUCT.** For details, please contact your TOSHIBA sales representative.
- Do not disassemble, analyze, reverse-engineer, alter, modify, translate or copy Product, whether in whole or in part.
- Product shall not be used for or incorporated into any products or systems whose manufacture, use, or sale is prohibited under any applicable laws or regulations.
- The information contained herein is presented only as guidance for Product use. No responsibility is assumed by TOSHIBA for any infringement of patents or any other intellectual property rights of third parties that may result from the use of Product. No license to any intellectual property right is granted by this document, whether express or implied, by estoppel or otherwise.
- **ABSENT A WRITTEN SIGNED AGREEMENT, EXCEPT AS PROVIDED IN THE RELEVANT TERMS AND CONDITIONS OF SALE FOR PRODUCT, AND TO THE MAXIMUM EXTENT ALLOWABLE BY LAW, TOSHIBA (1) ASSUMES NO LIABILITY WHATSOEVER, INCLUDING WITHOUT LIMITATION, INDIRECT, CONSEQUENTIAL, SPECIAL, OR INCIDENTAL DAMAGES OR LOSS, INCLUDING WITHOUT LIMITATION, LOSS OF PROFITS, LOSS OF OPPORTUNITIES, BUSINESS INTERRUPTION AND LOSS OF DATA, AND (2) DISCLAIMS ANY AND ALL EXPRESS OR IMPLIED WARRANTIES AND CONDITIONS RELATED TO SALE, USE OF PRODUCT, OR INFORMATION, INCLUDING WARRANTIES OR CONDITIONS OF MERCHANTABILITY, FITNESS FOR A PARTICULAR PURPOSE, ACCURACY OF INFORMATION, OR NONINFRINGEMENT.**
- GaAs (Gallium Arsenide) is used in Product. GaAs is harmful to humans if consumed or absorbed, whether in the form of dust or vapor. Handle with care and do not break, cut, crush, grind, dissolve chemically or otherwise expose GaAs in Product.
- Do not use or otherwise make available Product or related software or technology for any military purposes, including without limitation, for the design, development, use, stockpiling or manufacturing of nuclear, chemical, or biological weapons or missile technology products (mass destruction weapons). Product and related software and technology may be controlled under the applicable export laws and regulations including, without limitation, the Japanese Foreign Exchange and Foreign Trade Law and the U.S. Export Administration Regulations. Export and re-export of Product or related software or technology are strictly prohibited except in compliance with all applicable export laws and regulations.
- Please contact your TOSHIBA sales representative for details as to environmental matters such as the RoHS compatibility of Product. Please use Product in compliance with all applicable laws and regulations that regulate the inclusion or use of controlled substances, including without limitation, the EU RoHS Directive. **TOSHIBA ASSUMES NO LIABILITY FOR DAMAGES OR LOSSES OCCURRING AS A RESULT OF NONCOMPLIANCE WITH APPLICABLE LAWS AND REGULATIONS.**