



# 82C59A

## REFERENCE APP NOTE 109

T-52-33-13

February 1992

## CMOS Priority Interrupt Controller

### Features

- 12.5MHz, 8MHz and 5MHz Versions Available
  - 12.5MHz Operation ..... 82C59A-12
  - 8MHz Operation ..... 82C59A
  - 5MHz Operation ..... 82C59A-5
- High Speed, "No Wait-State" Operation with 12.5MHz 80C286 and 8MHz 80C86/88
- Pin Compatible with NMOS 8259A
- 80C86/88/286 and 8080/85/86/88/286 Compatible
- Eight-Level Priority Controller, Expandable to 64 Levels
- Programmable Interrupt Modes
- Individual Request Mask Capability
- Fully Static Design
- Fully TTL Compatible
- Low Power Operation
  - ICCSB ..... 20 $\mu$ A Maximum
  - ICCOP ..... 1mA/MHz Maximum
- Single 5V Power Supply
- Operating Temperature Ranges
  - C82C59A ..... 0°C to +70°C
  - I82C59A ..... -40°C to +85°C
  - M82C59A ..... -55°C to +125°C

### Description

The Harris 82C59A is a high performance CMOS Priority Interrupt Controller manufactured using an advanced 2 micron CMOS process. The 82C59A is designed to relieve the system CPU from the task of polling in a multi-level priority system. The high speed and industry standard configuration of the 82C59A make it compatible with micro-processors such as 80C286, 80286, 80C86/88, 8086/88, 8080/85 and NSC800.

The 82C59A can handle up to eight vectored priority interrupting sources and is cascadable to 64 without additional circuitry. Individual interrupting sources can be masked or prioritized to allow custom system configuration. Two modes of operation make the 82C59A compatible with both 8080/85 and 80C86/88/286 formats.

Static CMOS circuit design insures low operating power. The Harris advanced CMOS process results in performance equal to or greater than existing equivalent products at a fraction of the power.

### Ordering Information

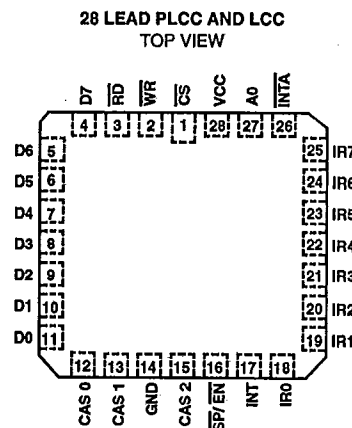
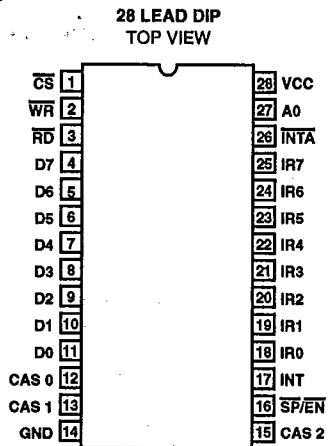
PACKAGE	TEMPERATURE RANGE	5MHz	8MHz	12.5MHz
Plastic DIP	0°C to +70°C	CP82C59A-5	CP82C59A	CP82C59A-12
	-40°C to +85°C	IP82C59A-5	IP82C59A	IP82C59A-12
PLCC	0°C to +70°C	CS82C59A-5	CS82C59A	CS82C59A-12
	-40°C to +85°C	IS82C59A-5	IS82C59A	IS82C59A-12
Ceramic DIP	0°C to +70°C	CD82C59A-5	CD82C59A	CD82C59A-12
	-40°C to +85°C	ID82C59A-5	ID82C59A	ID82C59A-12
	-55°C to +125°C	MD82C59A-5/B	MD82C59A/B	-
SMD#		5962-8501601YA	5962-8501602YA	-
LCC	-55°C to +125°C	MR82C59A-5/B	MR82C59A/B	-
		SMD#	5962-85016013A	5962-85016023A

CAUTION: These devices are sensitive to electrostatic discharge. Users should follow proper I.C. Handling Procedures.  
Copyright © Harris Corporation 1992

4-237

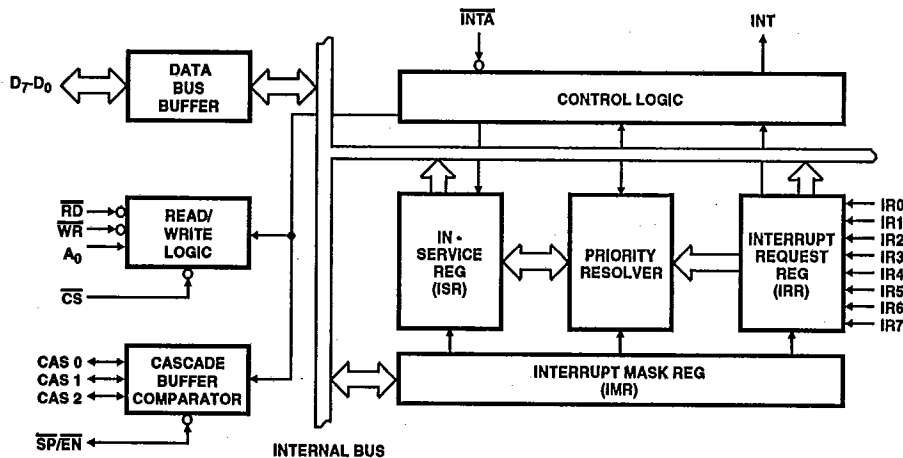
File Number 2784.1

**Pinouts**



PIN	DESCRIPTION
D7 - D0	Data Bus (Bi-Directional)
RD	Read Input
WR	Write Input
A0	Command Select Address
CS	Chip Select
CAS 2 - CAS 0	Cascade Lines
SP/EN	Slave Program Input Enable
INT	Interrupt Output
INTA	Interrupt Acknowledge Input
IR0 - IR7	Interrupt Request Inputs

**Functional Diagram**



**Pin Description**

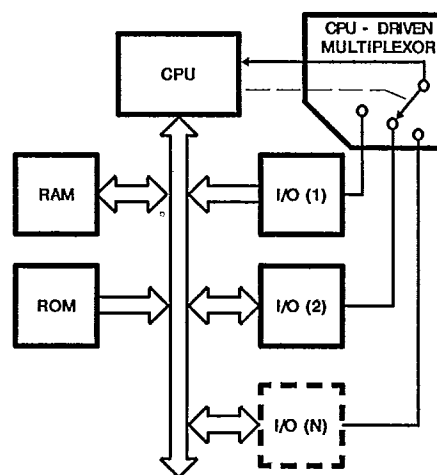
SYMBOL	PIN NUMBER	TYPE	DESCRIPTION
VCC	28	I	VCC: The +5V power supply pin. A 0.1 $\mu$ F capacitor between pins 28 and 14 is recommended for decoupling.
GND	14	I	GROUND
$\overline{CS}$	1	I	CHIP SELECT: A low on this pin enables $\overline{RD}$ and $\overline{WR}$ communications between the CPU and the 82C59A. $\overline{INTA}$ functions are independent of $\overline{CS}$ .
$\overline{WR}$	2	I	WRITE: A low on this pin when $\overline{CS}$ is low enables the 82C59A to accept command words from the CPU.
$\overline{RD}$	3	I	READ: A low on this pin when $\overline{CS}$ is low enables the 82C59A to release status onto the data bus for the CPU.
D7 - D0	4 - 11	I/O	BI-DIRECTIONAL DATA BUS: Control, status, and interrupt-vector information is transferred via this bus.
CAS 0 - CAS 2	12, 13, 15	I/O	CASCADE LINES: The CAS lines form a private 82C59A bus to control a multiple 82C59A structure. These pins are outputs for a master 82C59A and inputs for a slave 82C59A.
$\overline{SP/EN}$	16	I/O	SLAVE PROGRAM/ENABLE BUFFER: This is a dual function pin. When in the Buffered Mode it can be used as an output to control buffer transceivers ( $\overline{EN}$ ). When not in the buffered mode it is used as an input to designate a master ( $\overline{SP} = 1$ ) or slave ( $\overline{SP} = 0$ ).
INT	17	O	INTERRUPT: This pin goes high whenever a valid interrupt request is asserted. It is used to interrupt the CPU, thus it is connected to the CPU's interrupt pin.
IRO - IR7	18 - 25	I	INTERRUPT REQUESTS: Asynchronous inputs. An interrupt request is executed by raising an IR input (low to high), and holding it high until it is acknowledged (Edge Triggered Mode), or just by a high level on an IR input (Level Triggered Mode). Internal pull-up resistors are implemented on IRO - 7.
$\overline{INTA}$	26	I	INTERRUPT ACKNOWLEDGE: This pin is used to enable 82C59A interrupt-vector data onto the data bus by a sequence of interrupt acknowledge pulses issued by the CPU.
A0	27	I	ADDRESS LINE: This pin acts in conjunction with the $\overline{CS}$ , $\overline{WR}$ , and $\overline{RD}$ pins. It is used by the 82C59A to decipher various Command Words the CPU writes and status the CPU wishes to read. It is typically connected to the CPU A0 address line (A1 for 80C86/88/286).

**Functional Description****Interrupts in Microcomputer Systems**

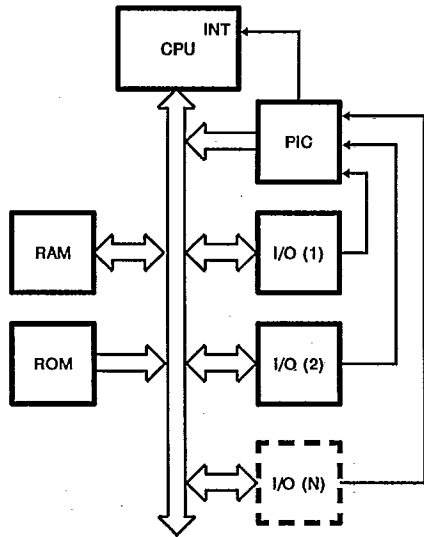
Microcomputer system design requires that I/O devices such as keyboards, displays, sensors and other components receive servicing in an efficient manner so that large amounts of the total system tasks can be assumed by the microcomputer with little or no effect on throughput.

The most common method of servicing such devices is the *Polled* approach. This is where the processor must test each device in sequence and in effect "ask" each one if it needs servicing. It is easy to see that a large portion of the main program is looping through this continuous polling cycle and that such a method would have a serious, detrimental effect on system throughput, thus limiting the tasks that could be assumed by the microcomputer and reducing the cost effectiveness of using such devices.

A more desirable method would be one that would allow the microprocessor to be executing its main program and only stop to service peripheral devices when it is told to do so by the device itself. In effect, the method would provide an external asynchronous input that would inform the processor that it should complete whatever instruction that is currently being executed and fetch a new routine that will service the requesting device. Once this servicing is complete, however, the processor would resume exactly where it left off.

**POLLED METHOD**

This is the *Interrupt*-driven method. It is easy to see that system throughput would drastically increase, and thus more tasks could be assumed by the microcomputer to further enhance its cost effectiveness.



INTERRUPT METHOD

The Programmable Interrupt Controller (PIC) functions as an overall manager in an Interrupt-Driven system. It accepts requests from the peripheral equipment, determines which of the incoming requests is of the highest importance (priority), ascertains whether the incoming request has a higher priority value than the level currently being serviced, and issues an interrupt to the CPU based on this determination.

Each peripheral device or structure usually has a special program or "routine" that is associated with its specific functional or operational requirements; this is referred to as a "service routine". The PIC, after issuing an interrupt to the CPU, must somehow input information into the CPU that can "point" the Program Counter to the service routine associated with the requesting device. This "pointer" is an address in a vectoring table and will often be referred to, in this document, as vectoring data.

**82C59A Functional Description**

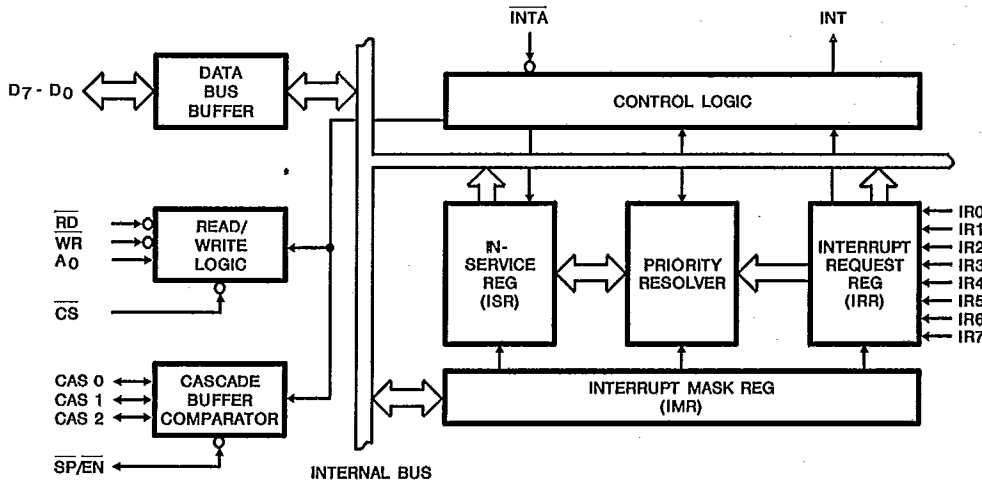
The 82C59A is a device specifically designed for use in real time, interrupt driven microcomputer systems. It manages eight levels of requests and has built-in features for expandability to other 82C59As (up to 64 levels). It is programmed by system software as an I/O peripheral. A selection of priority modes is available to the programmer so that the manner in which the requests are processed by the 82C59A can be configured to match system requirements. The priority modes can be changed or reconfigured dynamically at any time during main program operation. This means that the complete interrupt structure can be defined as required, based on the total system environment.

**Interrupt Request Register (IRR) and In-Service Register (ISR)**

The interrupts at the IR input lines are handled by two registers in cascade, the Interrupt Request Register (IRR) and the In-Service Register (ISR). The IRR is used to indicate all the interrupt levels which are requesting service, and the ISR is used to store all the interrupt levels which are currently being serviced.

**Priority Resolver**

This logic block determines the priorities of the bits set in the IRR. The highest priority is selected and strobed into the corresponding bit of the ISR during the  $\overline{INTA}$  sequence.



82C59A FUNCTIONAL DIAGRAM

**Interrupt Mask Register (IMR)**

The IMR stores the bits which disable the interrupt lines to be masked. The IMR operates on the output of the IRR. Masking of a higher priority input will not affect the interrupt request lines of lower priority.

**Interrupt (INT)**

This output goes directly to the CPU interrupt input. The VOH level on this line is designed to be fully compatible with the 8080, 8085, 8086/88, 80C86/88, 80286, and 80C286 input levels.

**Interrupt Acknowledge (INTA)**

INTA pulses will cause the 82C59A to release vectoring information onto the data bus. The format of this data depends on the system mode ( $\mu$ PM) of the 82C59A.

**Data Bus Buffer**

This 3-state, bi-directional 8-bit buffer is used to interface the 82C59A to the system Data Bus. Control words and status information are transferred through the Data Bus Buffer.

**Read/Write Control Logic**

The function of this block is to accept output commands from the CPU. It contains the Initialization Command Word (ICW) registers and Operation Command Word (OCW) registers which store the various control formats for device operation. This function block also allows the status of the 82C59A to be transferred onto the Data Bus.

**Chip Select ( $\overline{CS}$ )**

A LOW on this input enables the 82C59A. No reading or writing of the device will occur unless the device is selected.

**Write ( $\overline{WR}$ )**

A LOW on this input enables the CPU to write control words (ICWs and OCWs) to the 82C59A.

**Read ( $\overline{RD}$ )**

A LOW on this input enables the 82C59A to send the status of the Interrupt Request Register (IRR), In-Service Register (ISR), the Interrupt Mask Register (IMR), or the interrupt level (in the poll mode) onto the Data Bus.

**A0**

This input signal is used in conjunction with  $\overline{WR}$  and  $\overline{RD}$  signals to write commands into the various command registers, as well as to read the various status registers of the chip. This line can be tied directly to one of the system address lines.

**The Cascade Buffer/Comparator**

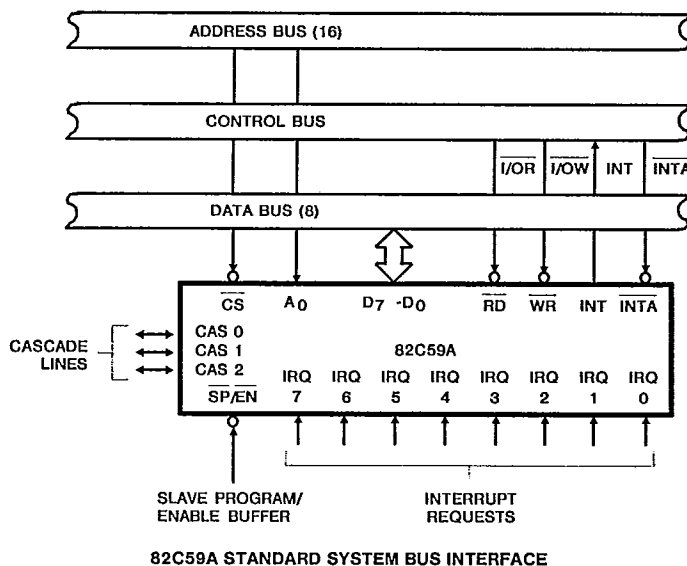
This function block stores and compares the IDs of all 82C59As used in the system. The associated three I/O pins (CAS0 - 2) are outputs when the 82C59A is used as a master and are inputs when the 82C59A is used as a slave. As a master, the 82C59A sends the ID of the interrupting slave device onto the CAS0 - 2 lines. The slave thus selected will send its preprogrammed subroutine address onto the Data Bus during the next one or two consecutive INTA pulses. (See section "Cascading the 82C59A".)

**Interrupt Sequence**

The powerful features of the 82C59A in a microcomputer system are its programmability and the interrupt routine addressing capability. The latter allows direct or indirect jumping to the specified interrupt routine requested without any polling of the interrupting devices. The normal sequence of events during an interrupt depends on the type of CPU being used.

These events occur in an 8080/8085 system:

1. One or more of the INTERRUPT REQUEST lines (IR0 - IR7) are raised high, setting the corresponding IRR bit(s).



4  
CMOS PERIPHERALS

2. The 82C59A evaluates these requests in the priority resolver and sends an interrupt (INT) to the CPU, if appropriate.
3. The CPU acknowledges the INT and responds with an INTA pulse.
4. Upon receiving an INTA from the CPU group, the highest priority ISR bit is set, and the corresponding IRR bit is reset. The 82C59A will also release a CALL instruction code (11001101) onto the 8-bit data bus through D0 - D7.
5. This CALL instruction will initiate two additional INTA pulses to be sent to 82C59A from the CPU group.
6. These two INTA pulses allow the 82C59A to release its preprogrammed subroutine address onto the data bus. The lower 8-bit address is released at the first INTA pulse and the higher 8-bit address is released at the second INTA pulse.
7. This completes the 3-byte CALL instruction released by the 82C59A. In the AEOI mode, the ISR bit is reset at the end of the third INTA pulse. Otherwise, the ISR bit remains set until an appropriate EOI command is issued at the end of the interrupt sequence.

The events occurring in an 80C86/88/286 system are the same until step 4.

4. The 82C59A does not drive the data bus during the first INTA pulse.
5. The 80C86/88/286 CPU will initiate a second INTA pulse. During this INTA pulse, the appropriate ISR bit is set and the corresponding bit in the IRR is reset. The 82C59A outputs the 8-bit pointer onto the data bus to be read by the CPU.
6. This completes the interrupt cycle. In the AEOI mode, the ISR bit is reset at the end of the second INTA pulse. Otherwise, the ISR bit remains set until an appropriate EOI command is issued at the end of the interrupt subroutine.

If no interrupt request is present at step 4 of either sequence (i.e. the request was too short in duration), the 82C59A will issue an interrupt level 7. If a slave is programmed on IR bit 7, the CAS lines remain inactive and vector addresses are output from the master 82C59A.

**Interrupt Sequence Outputs**

**8080, 8085 Interrupt Response Mode**

This sequence is timed by three INTA pulses. During the first INTA pulse, the CALL opcode is enabled onto the data bus.

First Interrupt Vector Byte Data: Hex CD

	D7	D6	D5	D4	D3	D2	D1	D0
Call Code	1	1	0	0	1	1	0	1

During the second INTA pulse, the lower address of the appropriate service routine is enabled onto the data bus. When interval = 4 bits, A5 - A7 are programmed, while A0 - A4 are automatically inserted by the 82C59A. When interval = 8, only A6 and A7 are programmed, while A0 - A5 are automatically inserted.

**CONTENT OF SECOND INTERRUPT VECTOR BYTE**

IR	Interval = 4							
	D7	D6	D5	D4	D3	D2	D1	D0
7	A7	A6	A5	1	1	1	0	0
6	A7	A6	A5	1	1	0	0	0
5	A7	A6	A5	1	0	1	0	0
4	A7	A6	A5	1	0	0	0	0
3	A7	A6	A5	0	1	1	0	0
2	A7	A6	A5	0	1	0	0	0
1	A7	A6	A5	0	0	1	0	0
0	A7	A6	A5	0	0	0	0	0

IR	Interval = 8							
	D7	D6	D5	D4	D3	D2	D1	D0
7	A7	A6	1	1	1	0	0	0
6	A7	A6	1	1	0	0	0	0
5	A7	A6	1	0	1	0	0	0
4	A7	A6	1	0	0	0	0	0
3	A7	A6	0	1	1	0	0	0
2	A7	A6	0	1	0	0	0	0
1	A7	A6	0	0	1	0	0	0
0	A7	A6	0	0	0	0	0	0

During the third INTA pulse, the higher address of the appropriate service routine, which was programmed as byte 2 of the initialization sequence (A8 - A15), is enabled onto the bus.

**CONTENT OF THIRD INTERRUPT VECTOR BYTE**

D7	D6	D5	D4	D3	D2	D1	D0
A15	A14	A13	A12	A11	A10	A9	A8

**80C86, 80C88, 80C286 Interrupt Response Mode**

80C86/88/286 mode is similar to 8080/85 mode except that only two interrupt acknowledge cycles are issued by the processor and no CALL opcode is sent to the processor. The first interrupt acknowledge cycle is similar to that of 8080/85 systems in that the 82C59A uses it to internally freeze the state of the interrupts for priority resolution and, as a master, it issues the interrupt code on the cascade lines. On this first cycle, it does not issue any data to the processor and leaves its data bus buffers disabled. On the second interrupt acknowledge cycle in the 86/88/286 mode, the master (or slave if so programmed) will send a byte of data to the processor with the acknowledged interrupt code composed as follows (note the state of the ADI mode control is ignored and A5 - A11 are unused in the 86/88/286 mode).

**CONTENT OF INTERRUPT VECTOR BYTE FOR 80C86/88/286 SYSTEM MODE**

	D7	D6	D5	D4	D3	D2	D1	D0
IR7	T7	T6	T5	T4	T3	1	1	1
IR6	T7	T6	T5	T4	T3	1	1	0
IR5	T7	T6	T5	T4	T3	1	0	1
IR4	T7	T6	T5	T4	T3	1	0	0
IR3	T7	T6	T5	T4	T3	0	1	1
IR2	T7	T6	T5	T4	T3	0	1	0
IR1	T7	T6	T5	T4	T3	0	0	1
IRO	T7	T6	T5	T4	T3	0	0	0

**Programming the 82C59A**

The 82C59A accepts two types of command words generated by the CPU;

- 1. Initialization Command Words (ICWs):** Before normal operation can begin, each 82C59A in the system must be brought to a starting point - by a sequence of 2 to 4 bytes timed by WR pulses.
- 2. Operation Command Words (OCWs):** These are the command words which command the 82C59A to operate in various interrupt modes. Among these modes are:
  - a. Fully nested mode
  - b. Rotating priority mode
  - c. Special mask mode
  - d. Polled mode

The OCWs can be written into the 82C59A anytime after initialization.

**Initialization Command Words (ICWs)****General**

Whenever a command is issued with A0 = 0 and D4 = 1, this is interpreted as Initialization Command Word 1 (ICW1). ICW1 starts the initialization sequence during which the following automatically occur.

- a. The edge sense circuit is reset, which means that following initialization, an Interrupt request (IR) input must make a low-to-high transition to generate an interrupt.
- b. The Interrupt Mask Register is cleared.
- c. IR7 input is assigned priority 7.
- d. Special Mask Mode is cleared and Status Read is set to IRR.
- e. If IC4 = 0, then all functions selected in ICW4 are set to zero. (Non-Buffered mode\*, no Auto-EOI, 8080/85 system).

\*NOTE: Master/Slave in ICW4 is only used in the buffered mode.

**Initialization Command Words 1 and 2 (ICW1, ICW2)**

A5 - A15: Page starting address of service routines. In an 8080/85 system, the 8 request levels will generate CALLS to 8 locations equally spaced in memory. These can be programmed to be spaced at intervals of 4 or 8 memory locations, thus the 8 routines will occupy a page of 32 or 64 bytes, respectively.

The address format is 2 bytes long (A0 - A15). When the routine interval is 4, A0 - A4 are automatically inserted by the 82C59A, while A5 - A15 are programmed externally. When the routine interval is 8, A0 - A5 are automatically inserted by the 82C59A while A6 - A15 are programmed externally.

The 8-byte interval will maintain compatibility with current software, while the 4-byte interval is best for a compact jump table.

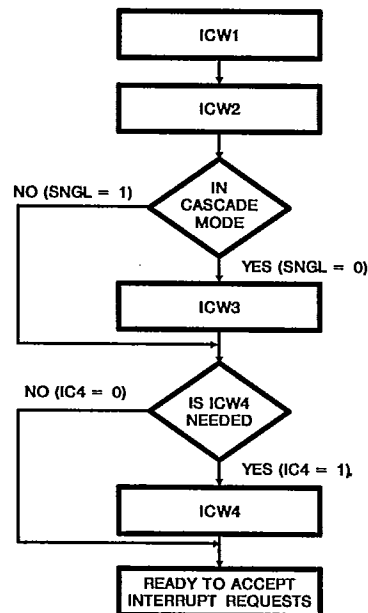
In an 80C86/88/286 system, A15 - A11 are inserted in the five most significant bits of the vectoring byte and the 82C59A sets the three least significant bits according to the interrupt level. A10 - A5 are ignored and ADI (Address interval) has no effect.

**LTIM:** If LTIM = 1, then the 82C59A will operate in the level interrupt mode. Edge detect logic on the interrupt inputs will be disabled.

**ADI:** ALL address interval. ADI = 1 then interval = 4; ADI = 0 then interval = 8.

**SNGL:** Single. Means that this is the only 82C59A in the system. If SNGL = 1, no ICW3 will be issued.

**IC4:** If this bit is set - ICW4 has to be issued. If ICW4 is not needed, set IC4 = 0.

**82C59A INITIALIZATION SEQUENCE****Initialization Command Word 3 (ICW3)**

This word is read only when there is more than one 82C59A in the system and cascading is used, in which case SNGL = 0. It will load the 8-bit slave register. The functions of this register are:

- a. In the master mode (either when  $\overline{SP} = 1$ , or in buffered mode when M/S = 1 in ICW4) a "1" is set for each slave in the bit corresponding to the appropriate IR line for the slave. The master then will release byte 1 of the call sequence (for 8080/85 system) and will enable the corresponding slave to release bytes 2 and 3 (for 80C86/88/286, only byte 2) through the cascade lines.
- b. In the slave mode (either when  $\overline{SP} = 0$ , or if BUF = 1 and M/S = 0 in ICW4), bits 2 - 0 identify the slave. The slave compares its cascade input with these bits and if they are equal, bytes 2 and 3 of the call sequence (or just byte 2 for 80C86/88/286) are released by it on the Data Bus (Note: the slave address must correspond to the IR line it is connected to in the master ID).

ICW1

A <sub>0</sub>	D <sub>7</sub>	D <sub>6</sub>	D <sub>5</sub>	D <sub>4</sub>	D <sub>3</sub>	D <sub>2</sub>	D <sub>1</sub>	D <sub>0</sub>
0	A <sub>7</sub>	A <sub>6</sub>	A <sub>5</sub>	1	LTIM	ADI	SNGL	IC4

- 1 = ICW4 needed  
0 = No ICW4 needed
- 1 = Single  
0 = Cascade Mode
- CALL address interval  
1 = Interval of 4  
0 = Interval of 8
- 1 = Level triggered mode  
0 = Edge triggered mode
- A<sub>7</sub>-A<sub>5</sub> of Interrupt vector address (MCS-80/85 mode only)

ICW2

A <sub>0</sub>	D <sub>7</sub>	D <sub>6</sub>	D <sub>5</sub>	D <sub>4</sub>	D <sub>3</sub>	D <sub>2</sub>	D <sub>1</sub>	D <sub>0</sub>
1	A <sub>15</sub> T <sub>7</sub>	A <sub>14</sub> T <sub>6</sub>	A <sub>13</sub> T <sub>5</sub>	A <sub>12</sub> T <sub>4</sub>	A <sub>11</sub> T <sub>3</sub>	A <sub>10</sub>	A <sub>9</sub>	A <sub>8</sub>

- A<sub>15</sub>-A<sub>8</sub> of Interrupt vector address (MCS80/85 mode)
- T<sub>7</sub>-T<sub>3</sub> of Interrupt vector address (8086/8088 mode)

ICW3 (MASTER DEVICE)

A <sub>0</sub>	D <sub>7</sub>	D <sub>6</sub>	D <sub>5</sub>	D <sub>4</sub>	D <sub>3</sub>	D <sub>2</sub>	D <sub>1</sub>	D <sub>0</sub>
1	S <sub>7</sub>	S <sub>6</sub>	S <sub>5</sub>	S <sub>4</sub>	S <sub>3</sub>	S <sub>2</sub>	S <sub>1</sub>	S <sub>0</sub>

- 1 = IR Input has a slave
- 0 = IR Input does not have a slave

ICW3 (SLAVE DEVICE)

A <sub>0</sub>	D <sub>7</sub>	D <sub>6</sub>	D <sub>5</sub>	D <sub>4</sub>	D <sub>3</sub>	D <sub>2</sub>	D <sub>1</sub>	D <sub>0</sub>
1	0	0	0	0	0	ID <sub>2</sub>	ID <sub>1</sub>	ID <sub>0</sub>

SLAVE ID(1)

0	1	2	3	4	5	6	7
0	1	0	1	0	1	0	1
0	0	1	1	0	0	1	1
0	0	0	0	1	1	1	1

ICW4

A <sub>0</sub>	D <sub>7</sub>	D <sub>6</sub>	D <sub>5</sub>	D <sub>4</sub>	D <sub>3</sub>	D <sub>2</sub>	D <sub>1</sub>	D <sub>0</sub>
1	0	0	0	SFNM	BUF	M/S	AEOI	μPM

- 1 = 8086/8088 mode  
0 = MCS-80/85 mode
- 1 = Auto EOI  
0 = Normal EOI

0	X
1	0
1	1

- Non buffered mode
- Buffered mode slave
- Buffered mode master

- 1 = Special fully nested moded
- 0 = Not special fully nested mode

(1) Slave ID is equal to the corresponding master IR input.

82C59A INITIALIZATION COMMAND WORD FORMAT



**Initialization Command Word 4 (ICW4)**

- SFNM: If SFNM = 1, the special fully nested mode is programmed.
- BUF: If BUF = 1, the buffered mode is programmed. In buffered mode,  $\overline{SP}/\overline{EN}$  becomes an enable output and the master/slave determination is by M/S.
- M/S: If buffered mode is selected: M/S = 1 means the 82C59A is programmed to be a master, M/S = 0 means the 82C59A is programmed to be a slave. If BUF = 0, M/S has no function.
- AEOI: If AEOI = 1, the automatic end of interrupt mode is programmed.
- $\mu$ PM: Microprocessor mode:  $\mu$ PM = 0 sets the 82C59A for 8080/85 system operation,  $\mu$ PM = 1 sets the 82C59A for 80C86/88/286 system operation.

**Operation Command Words (OCWs)**

After the Initialization Command Words (ICWs) are programmed into the 82C59A, the device is ready to accept interrupt requests at its input lines. However, during the 82C59A operation a selection of algorithms can command the 82C59A to operate in various modes through the Operation Command Words (OCWs).

**OPERATION CONTROL WORDS (OCWs)**

A0	D7	D6	D5	D4	D3	D2	D1	D0
<b>OCW1</b>								
1	M7	M6	M5	M4	M3	M2	M1	M0
<b>OCW2</b>								
0	R	SL	EOI	0	0	L2	L1	L0
<b>OCW3</b>								
0	0	ESSM	SMM	0	1	P	RR	RIS

**OCW1**

A0	D7	D6	D5	D4	D3	D2	D1	D0
1	M7	M6	M5	M4	M3	M2	M1	M0

Interrupt Mask  
1 = Mask set  
0 = Mask reset

**OCW2**

A0	D7	D6	D5	D4	D3	D2	D1	D0
0	R	SL	EOI	0	0	L2	L1	L0

**IR LEVEL TO BE ACTED UPON**

0	1	2	3	4	5	6	7
0	1	0	1	0	1	0	1
0	0	1	1	0	0	1	1
0	0	0	0	1	1	1	1

0	0	1
0	1	1
1	0	1
1	0	0
0	0	0
1	1	1
1	1	0
0	1	0

- Non-specific EOI command
  - \* Specific EOI command
  - Rotate on non-specific EOI command
  - Rotate in automatic EOI mode (set)
  - Rotate in automatic EOI mode (clear)
  - \* Rotate on specific EOI command
  - \* Set priority command
  - No operation
- End of interrupt
- Automatic rotation
- Specific rotation
- \* L<sub>0</sub> - L<sub>2</sub> are used

**OCW3**

A0	D7	D6	D5	D4	D3	D2	D1	D0
0	0	ESSM	SMM	0	1	P	RR	RIS

**READ REGISTER COMMAND**

0	1	0	1
0	0	1	1
No Action		Read IR reg on next RD pulse	Read IS reg on next RD pulse

1 = Poll command  
0 = No poll command

**SPECIAL MASK MODE**

0	1	0	1
0	0	1	1
No Action		Reset special mask	Set special mask

82C59A OPERATION COMMAND WORD FORMAT

**Operation Control Word 1 (OCW1)**

OCW1 sets and clears the mask bits in the Interrupt Mask Register (IMR). M7 - M0 represent the eight mask bits. M = 1 indicates the channel is masked (inhibited), M = 0 indicates the channel is enabled.

**Operation Control Word 2 (OCW2)**

R, SL, EOI - These three bits control the Rotate and End of Interrupt modes and combinations of the two. A chart of these combinations can be found on the Operation Command Word Format.

L2, L1, L0 - These bits determine the interrupt level acted upon when the SL bit is active.

**Operation Control Word 3 (OCW3)**

ESMM - Enable Special Mask Mode. When this bit is set to 1 it enables the SMM bit to set or reset the Special Mask Mode. When ESMM = 0, the SMM bit becomes a "don't care".

SMM - Special Mask Mode. If ESMM = 1 and SMM = 1, the 82C59A will enter Special Mask Mode. If ESMM = 1 and SMM = 0, the 82C59A will revert to normal mask mode. When ESMM = 0, SMM has no effect.

**Fully Nested Mode**

This mode is entered after initialization unless another mode is programmed. The interrupt requests are ordered in priority from 0 through 7 (0 highest). When an interrupt is acknowledged the highest priority request is determined and its vector placed on the bus. Additionally, a bit of the Interrupt Service register (ISR - 7) is set. This bit remains set until the microprocessor issues an End of Interrupt (EOI) command immediately before returning from the service routine, or if the AEOI (Automatic End of Interrupt) bit is set, until the trailing edge of the last INTA. While the IS bit is set, all further interrupts of the same or lower priority are inhibited, while higher levels will generate an interrupt (which will be acknowledged only if the microprocessor internal interrupt enable flip-flop has been re-enabled through software).

After the initialization sequence, IRO has the highest priority and IR7 the lowest. Priorities can be changed, as will be explained in the rotating priority mode or via the set priority command.

**End of Interrupt (EOI)**

The In-Service (IS) bit can be reset either automatically following the trailing edge of the last in sequence INTA pulse (when AEOI bit in ICW1 is set) or by a command word that must be issued to the 82C59A before returning from a service routine (EOI Command). An EOI command must be issued twice if servicing a slave in the Cascade mode, once for the master and once for the corresponding slave.

There are two forms of EOI command: Specific and Non-Specific. When the 82C59A is operated in modes which preserve the fully nested structure, it can determine which IS bit to reset on EOI. When a Non-Specific command is issued the 82C59A will automatically reset the highest IS bit of those that are set, since in the fully nested mode the highest IS level

was necessarily the last level acknowledged and serviced. A non-specific EOI can be issued with OCW2 (EOI = 1, SL = 0, R = 0).

When a mode is used which may disturb the fully nested structure, the 82C59A may no longer be able to determine the last level acknowledged. In this case a Specific End of Interrupt must be issued which includes as part of the command the IS level to be reset. A specific EOI can be issued with OCW2 (EOI = 1, SL = 1, R = 0, and LO - L2 is the binary level of the IS bit to be reset).

An IRR bit that is masked by an IMR bit will not be cleared by a non-specific EOI if the 82C59A is in the Special Mask Mode.

**Automatic End of Interrupt (AEOI) Mode**

If AEOI = 1 in ICW4, then the 82C59A will operate in AEOI mode continuously until reprogrammed by ICW4. In this mode the 82C59A will automatically perform a non-specific EOI operation at the trailing edge of the last interrupt acknowledge pulse (third pulse in 8080/85, second in 80C86/88/286). Note that from a system standpoint, this mode should be used only when a nested multi-level interrupt structure is not required within a single 82C59A.

**Automatic Rotation (Equal Priority Devices)**

In some applications there are a number of interrupting devices of equal priority. In this mode a device, after being serviced, receives the lowest priority, so a device requesting an interrupt will have to wait, in the worst case until each of 7 other devices are serviced at most once. For example, if the priority and "in service" status is:

Before Rotate (IR4 the highest priority requiring service)

	IS7	IS6	IS5	IS4	IS3	IS2	IS1	IS0
"IS" Status	0	1	0	1	0	0	0	0
Priority STATUS	7	6	5	4	3	2	1	0
	lowest							highest

After Rotate (IR4 was serviced, all other priorities rotated correspondingly)

	IS7	IS6	IS5	IS4	IS3	IS2	IS1	IS0
"IS" Status	0	1	0	0	0	0	0	0
Priority Status	2	1	0	7	6	5	4	3
	highest							lowest

There are two ways to accomplish Automatic Rotation using OCW2, the Rotation on Non-Specific EOI Command (R = 1, SL = 0, EOI = 1) and the Rotate in Automatic EOI Mode which is set by (R = 1, SL = 0, EOI = 0) and cleared by (R = 0, SL = 0, EOI = 0).



### Reading the 82C59A Status

The input status of several Internal registers can be read to update the user information on the system. The following registers can be read via OCW3 (IRR and ISR) or OCW1 (IMR).

**Interrupt Request Register (IRR):** 8-bit register which contains the levels requesting an interrupt to be acknowledged. The highest request level is reset from the IRR when an interrupt is acknowledged. IRR is not affected by IMR.

**In-Service Register (ISR):** 8-bit register which contains the priority levels that are being serviced. The ISR is updated when an End of Interrupt Command is issued.

**Interrupt Mask Register:** 8-bit register which contains the interrupt request lines which are masked.

The IRR can be read when, prior to the  $\overline{RD}$  pulse, a Read Register Command is issued with OCW3 (RR = 1, RIS = 0).

The ISR can be read when, prior to the  $\overline{RD}$  pulse, a Read Register Command is issued with OCW3 (RR = 1, RIS = 1).

There is no need to write an OCW3 before every status read operation, as long as the status read corresponds with the previous one: i.e., the 82C59A "remembers" whether the IRR or ISR has been previously selected by the OCW3. This is not true when poll is used. In the poll mode, the 82C59A treats the  $\overline{RD}$  following a "poll write" operation as an  $\overline{INTA}$ . After initialization, the 82C59A is set to IRR.

For reading the IMR, no OCW3 is needed. The output data bus will contain the IMR whenever  $\overline{RD}$  is active and A0 = 1 (OCW1). Polling overrides status read when P = 1, RR = 1 in OCW3.

### Edge and Level Triggered Modes

This mode is programmed using bit 3 in ICW1.

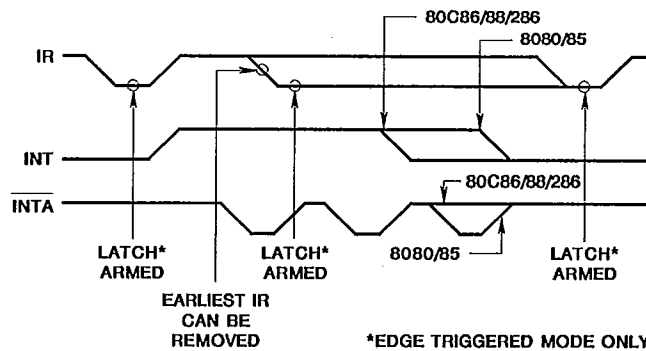
If LTIM = "0", an interrupt request will be recognized by a low to high transition on an IR input. The IR input can remain high without generating another interrupt.

If LTIM = "1", an interrupt request will be recognized by a "high" level on an IR input, and there is no need for an edge detection. The interrupt request must be removed before the EOI command is issued or the CPU interrupt is enabled to prevent a second interrupt from occurring.

The priority cell diagram shows a conceptual circuit of the level sensitive and edge sensitive input circuitry of the 82C59A. Be sure to note that the request latch is a transparent D type latch.

In both the edge and level triggered modes the IR inputs must remain high until after the falling edge of the first  $\overline{INTA}$ . If the IR input goes low before this time a DEFAULT IR7 will occur when the CPU acknowledges the interrupt. This can be a useful safeguard for detecting interrupts caused by spurious noise glitches on the IR inputs. To implement this feature the IR7 routine is used for "clean up" simply executing a return instruction, thus ignoring the interrupt. If IR7 is needed for other purposes a default IR7 can still be detected by reading the ISR. A normal IR7 interrupt will set the corresponding ISR bit, a default IR7 won't. If a default IR7 routine occurs during a normal IR7 routine, however, the ISR will remain set. In this case it is necessary to keep track of whether or not the IR7 routine was previously entered. If another IR7 occurs it is a default.

In power sensitive applications, it is advisable to place the 82C59A in the edge-triggered mode with the IR lines normally high. This will minimize the current through the internal pull-up resistors on the IR pins.



IR TRIGGERING TIMING REQUIREMENTS

**The Special Fully Nested Mode**

This mode will be used in the case of a big system where cascading is used, and the priority has to be conserved within each slave. In this case the special fully nested mode will be programmed to the master (using ICW4). This mode is similar to the normal nested mode with the following exceptions:

- a. When an interrupt request from a certain slave is in service, this slave is not locked out from the master's priority logic and further interrupt requests from higher priority IRs within the slave will be recognized by the master and will initiate interrupts to the processor. (In the normal nested mode a slave is masked out when its request is in service and no higher requests from the same slave can be serviced.
- b. When exiting the Interrupt Service routine the software has to check whether the interrupt serviced was the only one from that slave. This is done by sending a non-specific End of Interrupt (EOI) command to the slave and then reading its In-Service register and checking for zero. If it is empty, a non-specified EOI can be sent to the master, too. If not, no EOI should be sent.

**Buffered Mode**

When the 82C59A is used in a large system where bus driving buffers are required on the data bus and the cascading mode is used, there exists the problem of enabling buffers.

The buffered mode will structure the 82C59A to send an enable signal on  $\overline{SP/EN}$  to enable the buffers. In this mode, whenever the 82C59A's data bus outputs are enabled, the  $\overline{SP/EN}$  output becomes active.

This modification forces the use of software programming to determine whether the 82C59A is a master or a slave. Bit 3 in ICW4 programs the buffered mode, and bit 2 in ICW4 determines whether it is a master or a slave.

**Cascade Mode**

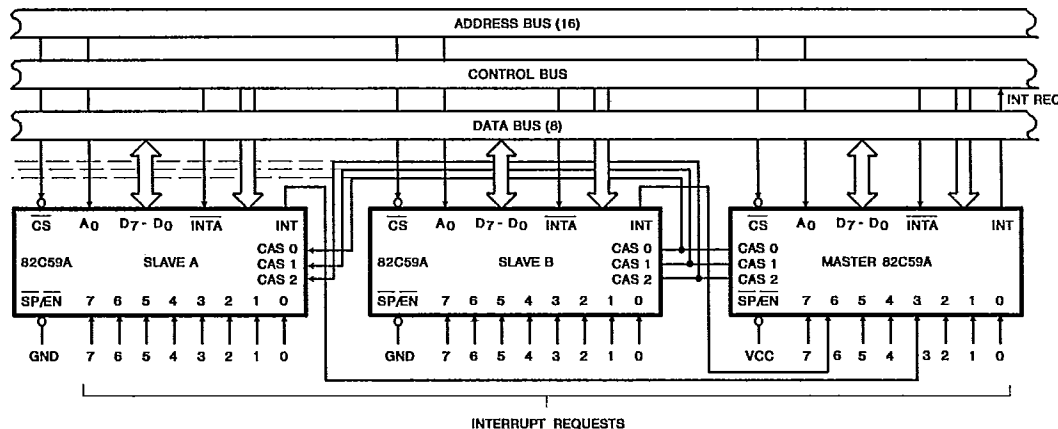
The 82C59A can be easily interconnected in a system of one master with up to eight slaves to handle up to 64 priority levels.

The master controls the slaves through the 3 line cascade bus (CAS2 - 0). The cascade bus acts like chip selects to the slaves during the  $\overline{INTA}$  sequence.

In a cascade configuration, the slave interrupt outputs (INT) are connected to the master interrupt request inputs. When a slave request line is activated and afterwards acknowledged, the master will enable the corresponding slave to release the device routine address during bytes 2 and 3 of  $\overline{INTA}$ . (Byte 2 only for 80C86/88/286).

The cascade bus lines are normally low and will contain the slave address code from the leading edge of the first  $\overline{INTA}$  pulse to the trailing edge of the last  $\overline{INTA}$  pulse. Each 82C59A in the system must follow a separate initialization sequence and can be programmed to work in a different mode. An EOI command must be issued twice: once for the master and once for the corresponding slave. Chip select decoding is required to activate each 82C59A. Note: Auto EOI is supported in the slave mode for the 82C59A.

The cascade lines of the Master 82C59A are activated only for slave inputs, non-slave inputs leave the cascade line inactive (low). Therefore, it is necessary to use a slave address of 0 (zero) only after all other addresses are used.



CASCADING THE 82C59A

**Absolute Maximum Ratings**

Supply Voltage .....	+8.0V
Input, Output or I/O Voltage .....	GND-0.5V to V <sub>CC</sub> +0.5V
Storage Temperature Range .....	-65°C to +150°C
Junction Temperature .....	+175°C
Lead Temperature (Soldering 10s) .....	+300°C
ESD Classification .....	Class 1

**Reliability Information**

Thermal Resistance	$\theta_{ja}$	$\theta_{jc}$
Ceramic DIP Package .....	47°C/W	10°C/W
Ceramic LCC Package .....	53°C/W	6°C/W
Maximum Package Power Dissipation at +125°C		
Ceramic DIP Package .....	1.08W	
Ceramic LCC Package .....	.932mW	
Gate Count .....	1250 Gates	

*CAUTION: Stresses above those listed in "Absolute Maximum Ratings" may cause permanent damage to the device. This is a stress only rating and operation of the device at these or any other conditions above those indicated in the operational sections of this specification is not implied.*

**Operating Conditions**

Operating Voltage Range .....	+4.5V to +5.5V	Operating Temperature Range	
		C82C59A .....	0°C to +70°C
		I82C59A .....	-40°C to +85°C
		M82C59A .....	-55°C to +125°C

**DC Electrical Specifications** VCC = +5.0V ±10%, T<sub>A</sub> = 0°C to +70°C (C82C59A), T<sub>A</sub> = -40°C to +85°C (I82C59A), T<sub>A</sub> = -55°C to +125°C (M82C59A)

SYMBOL	PARAMETER	MIN	MAX	UNITS	TEST CONDITIONS
VIH	Logical One Input Voltage	2.0	-	V	C82C59A, I82C59A M82C59A
		2.2	-	V	
VIL	Logical Zero Input Voltage	-	0.8	V	
VOH	Output HIGH Voltage	3.0 VCC -0.4	--	V V	IOH = -2.5mA IOH = -100µA
VOL	Output LOW Voltage	-	0.4	V	IOL = +2.5mA
II	Input Leakage Current	-1.0	+1.0	µA	VIN = GND or VCC, Pins 1-3, 26-27
IO	Output Leakage Current	-10.0	+10.0	µA	VOUT = GND or VCC, Pins 4-13, 15-16
ILIR	IR Input Load Current	-	-200	µA	VIN = 0V, VIN = VCC
		-	10	µA	
ICCSB	Standby Power Supply Current	-	10	µA	VCC = 5.5V, VIN = VCC or GND Outputs Open, (Note 1)
ICCOP	Operating Power Supply Current	-	1	mAMHz	VCC = 5.0V, CLK FREQ = 5MHz, VIN = VCC or GND, Outputs Open, T <sub>A</sub> = +25°C, (Note 2)

**NOTES:**

1. Except for IR0 - IR7 where VIN = VCC or open.
2. ICCOP = 1mAMHz of peripheral read/write cycle time, (ex: 1.0µs I/O read/write cycle time = 1mA).

**Capacitance** T<sub>A</sub> = +25°C

SYMBOL	PARAMETER	TYP	UNITS	TEST CONDITIONS
CIN	Input Capacitance	15	pF	FREQ = 1MHz, all measurements reference to device GND.
COUT	Output Capacitance	15	pF	
CI/O	I/O Capacitance	15	pF	

## Specifications 82C59A

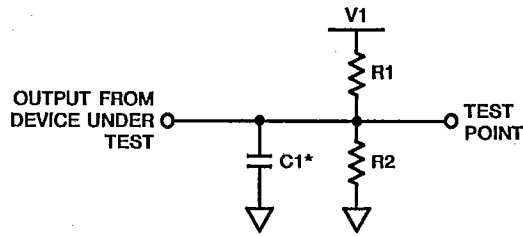
T-52-33-13

**AC Electrical Specifications** VCC = +5.0V ±10%, GND = 0V, T<sub>A</sub> = 0°C to +70°C (82C59A), T<sub>A</sub> = -40°C to +85°C (182C59A),  
T<sub>A</sub> = -55°C to +125°C (M82C59A)

SYMBOL	PARAMETER	82C59A -5		82C59A		82C59A -12		UNITS	TEST CONDITIONS
		MIN	MAX	MIN	MAX	MIN	MAX		
<b>TIMING REQUIREMENTS</b>									
(1)TAHRL	A0/ $\overline{CS}$ Setup to $\overline{RD}/\overline{INTA}$	10	-	10	-	5	-	ns	
(2)TRHAX	A0/ $\overline{CS}$ Hold after $\overline{RD}/\overline{INTA}$	5	-	5	-	0	-	ns	
(3)TRLRH	$\overline{RD}/\overline{INTA}$ Pulse Width	235	-	160	-	60	-	ns	
(4)TAHWL	A0/ $\overline{CS}$ Setup to $\overline{WR}$	0	-	0	0	0	-	ns	
(5)TWHAX	A0/ $\overline{CS}$ Hold after $\overline{WR}$	5	-	5	-	0	-	ns	
(6)TWLWH	$\overline{WR}$ Pulse Width	165	-	95	-	60	-	ns	
(7)TDVWH	Data Setup to $\overline{WR}$	240	-	160	-	70	-	ns	
(8)TWHDX	Data Hold after $\overline{WR}$	5	-	5	-	0	-	ns	
(9)TJLJH	Interrupt Request Width Low)	100	-	100	-	40	-	ns	
(10)TCVIAL	Cascade Setup to Second or Third $\overline{INTA}$ Slave Only)	55	-	40	-	30	-	ns	
(11)TRHRL	End of $\overline{RD}$ to next $\overline{RD}$ , End of $\overline{INTA}$ within an $\overline{INTA}$ sequence only	160	-	160	-	90	-	ns	
(12)TWHWL	End of $\overline{WR}$ to next $\overline{WR}$	190	-	190	-	60	-	ns	
(13)TCHCL*	End of Command to next command (not same command type), End of $\overline{INTA}$ sequence to next $\overline{INTA}$ sequence	500	-	400	-	90	-	ns	
<b>TIMING RESPONSES</b>									
(14)TRLDV	Data Valid from $\overline{RD}/\overline{INTA}$	-	160	-	120	-	40	ns	1
(15)TRHDZ	Data Float after $\overline{RD}/\overline{INTA}$	5	100	5	85	5	22	ns	2
(16)TJHIH	Interrupt Output Delay	-	350	-	300	-	90	ns	1
(17)TIALCV	Cascade Valid from First $\overline{INTA}$ (Master Only)	-	565	-	360	-	50	ns	1
(18)TRLEL	Enable Active from $\overline{RD}$ or $\overline{INTA}$	-	125	-	100	-	40	ns	1
(19)TRHEH	Enable Inactive from $\overline{RD}$ or $\overline{INTA}$	-	60	-	50	-	22	ns	1
(20)TAHDV	Data Valid from Stable Address	-	210	-	200	-	60	ns	1
(21)TCVDC	Cascade Valid to Valid Data	-	300	-	200	-	70	ns	1

\* Worst case timing for TCHCL in an actual microprocessor system is typically greater than the values specified for the 82C59A. (i.e. 8085A = 1.6 $\mu$ s, 8085A -2 = 1 $\mu$ s, 80C86 = 1 $\mu$ s, 80C286 -10 = 131ns, 80C286 -12 = 98ns)

**A.C. Test Circuit**

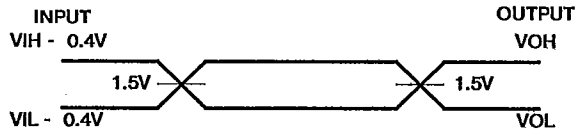


\* Includes Stray and Jig Capacitance

TEST CONDITION DEFINITION TABLE

TEST CONDITION	V1	R1	R2	C1
1	1.7V	523Ω	Open	100pF
2	VCC	1.8kΩ	1.8kΩ	50pF

**A.C. Testing Input, Output Waveform**

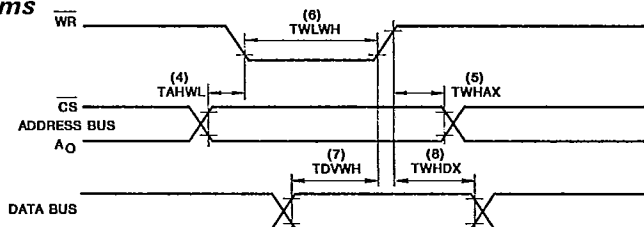


A.C. Testing: All input signals must switch between VIL - 0.4V and VIH + 0.4V. Input rise and fall times are driven at 1ns/V.

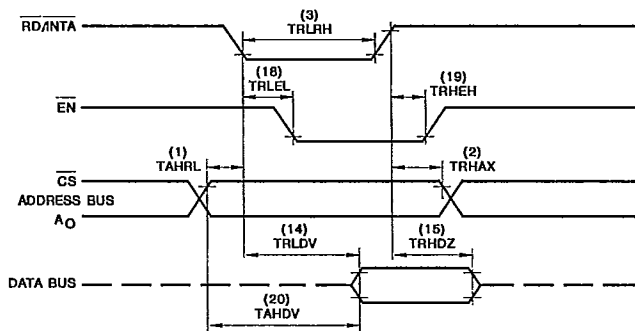


**Timing Waveforms**

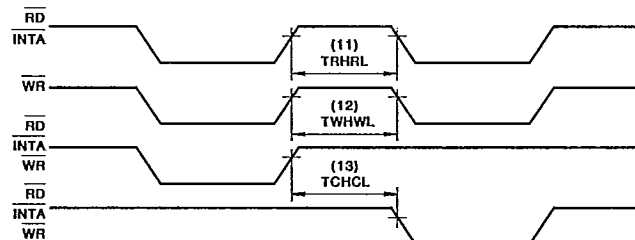
**WRITE**



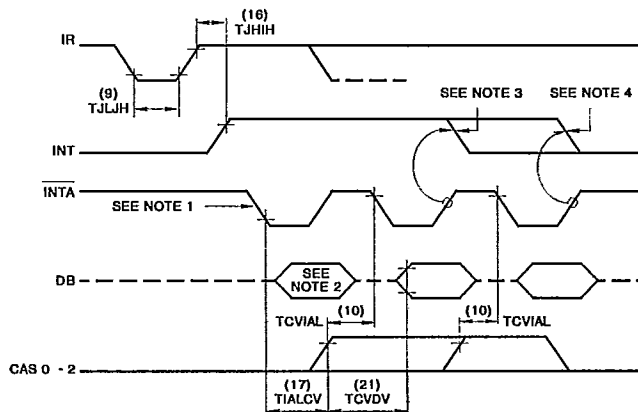
**READ/INTA**



**OTHER TIMING**



**INTA SEQUENCE**



**NOTES:**

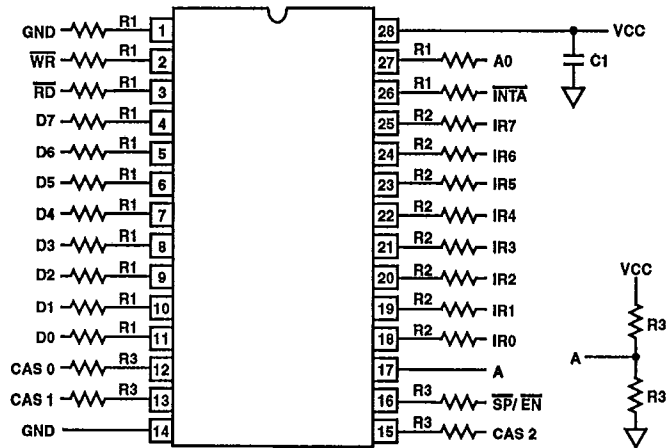
1. Interrupt Request (IR) must remain HIGH until leading edge of first  $\overline{INTA}$ .
2. During first  $\overline{INTA}$  the Data Bus is not active in 80C86/88/286 mode.
3. 80C86/88/286 mode.
4. 8080/8085 mode.

82C59A

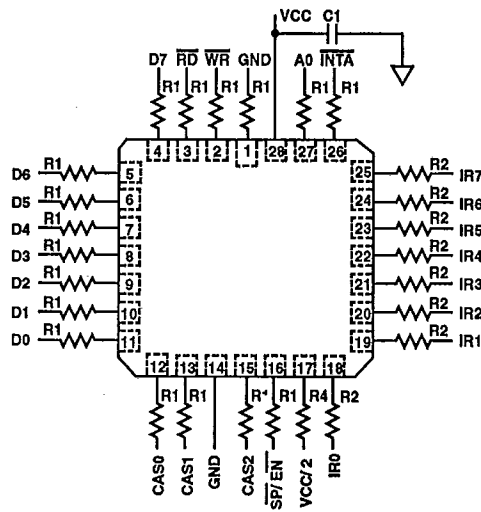
T-52-33-13

**Burn-In Circuits**

MD82C59A CERAMIC DIP



MR82C59A CERAMIC LCC



**NOTES:**

- VCC = 5.5V ± 0.5V
- VIH = 4.5V ± 10%
- VIL = -0.2V to 0.4V
- GND = 0V
- R1 = 47kΩ ± 5%
- R2 = 510Ω ± 5%
- R3 = 10kΩ ± 5%
- R4 = 1.2kΩ ± 5%
- C1 = 0.01μF min
- F0 = 100kHz ± 10%
- F1 = F0/2, F2 = F1/2, ... F8 = F7/2

82C59A

T-52-33-13

**Metallization Topology**

**DIE DIMENSIONS:**

154.3 x 173.2 x 19 ± 1mils

**METALLIZATION:**

Type: Si - AL

Thickness: 11kÅ ± 1kÅ

**GLASSIVATION:**

Type: SiO<sub>2</sub>

Thickness: 8kÅ ± 1kÅ

**DIE ATTACH:**

Material: Gold Silicon Eutectic Alloy (LCC has Gold Preform)

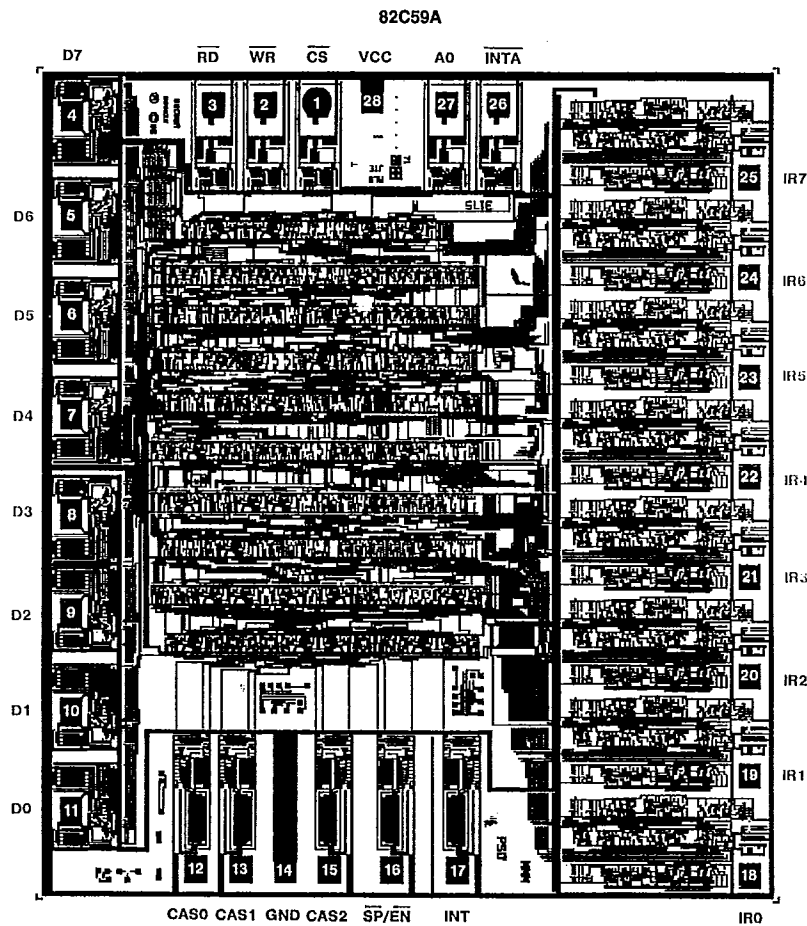
Temperature: Ceramic DIP - 460°C (Max)

Ceramic LCC - 420°C (Max)

**WORST CASE CURRENT DENSITY:**

1.64 x 10<sup>5</sup> A/cm<sup>2</sup>

**Metallization Mask Layout**



4  
CMOS  
PERIPHERALS