

# TFT Display Controller

## TW8833, TW8833S

### Applications

- In-car display controller
- Portable DVD and DVRs players
- Portable media player

### Description

The TW8833 incorporates many of the features required to create multi-purpose in-car LCD display system in a single package. It integrates a high quality 2D comb NTSC/PAL/SECAM video decoder, triple high speed RGB ADCs, high quality scaler, triple DACs and images enhancement functions, which include Black and White Stretch and etc. It also supports panoramic scaling for conversion to wide screen display. On the input side, it supports a rich combination of CVBS, S-video and analog component inputs. On the output side, it supports analog panel type with its built-in timing controller.

### Analog Video Decoder

- NTSC (M, 4.34) and PAL (B, D, G, H, I, M, N, N combination), PAL (60), SECAM with automatic format detection
- Three 10-bit ADCs and analog clamping circuit
- Fully programmable static gain or automatic gain control for the Y or CVBS channel
- Programmable white peak control for the Y or CVBS channel
- Software selectable analog inputs
- High quality adaptive 2D comb filter for both NTSC and PAL standards
- PAL delay line for color phase error correction
- Image enhancement with 2D dynamic peaking and CTI
- Digital sub-carrier PLL for accurate color decoding
- Digital horizontal PLL and Advanced synchronization processing for VCR playback and weak signal performance
- Programmable hue, brightness, saturation, contrast and sharpness
- High quality horizontal and vertical filtered down scaling with arbitrary scale down ratio

### TFT Panel Support

- Built-in programmable timing controller
- Supports 3, 4, 6 or 8 bits per pixel up to 16.8 million colors with built-in dithering engine
- Support analog panel up to WQVGA resolution
- Support Serial (8-bit) RGB panel

### On Screen Display

- Integrated 256 programmable font RAM and 384 display RAM
- Four windows font OSD with bordering / shadow
- Supports bit-mapped based OSD through SPI (TW8833S only)

### Image Processing

- High quality scaler with both up/down and nonlinear scaling support
- Built-in 2D de-interlacing function
- Programmable hue, brightness, saturation, contrast and peaking
- Supports programmable cropping of input video and graphics
- Independent RGB gain and offset controls
- Panorama / Water-glass scaling
- Programmable 10-bit Gamma correction for each color
- Operated in Frame Sync mode
- Black/White Stretch

### Clock Generation

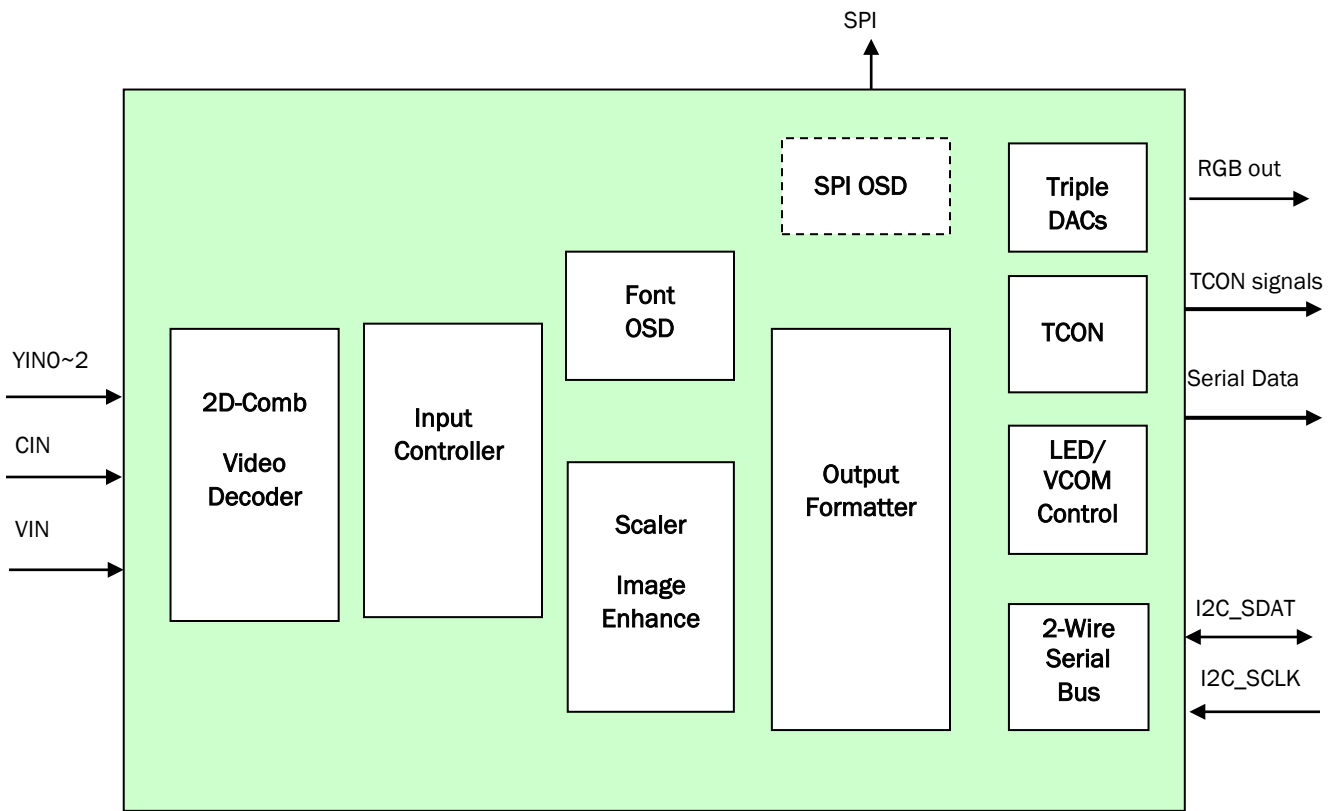
- Spread spectrum clock
- Modulation frequency and spread width are selectable

### Power Management

- Supports functional based independent power down control.
- 1.8 / 3.3 V operation

## Miscellaneous

- Supports 2-wire serial bus interface
- Built-in single LED back light controller
- Built-in VCOM DC voltage
- Built-in VCOM analog amplitude
- Built-in DC-DC convertor
- Single 27MHz crystal
- 48 pin QFN package



FUNCTIONAL BLOCK DIAGRAM